

METINNO®

Product Portfolio

Technical Guide

Aluminium Partitioning | Sliding Door Systems | Hinged Door Systems |
ShadowMax | Aluminium Skirting | Cavity Sliding Doors | Access Panels



MAKING SPACE USEFUL



METINNO®

Metinno products are all about making space useful. Designed to be as strong as they are good looking, they can also be fully integrated making them easy to install - helping to keep your project on time and budget.

All Metinno products exhibit design integrity - honest to the last detail. This makes them strong, long lasting and excellent quality. The strength of our design means that our products are flexible and can be fully integrated. This facilitates quick and easy installation helping to keep your project on time and on budget. Metinno is strong in customer service, giving you all you need to know and assisting you in projects big or small. Metinno is about giving you a product that is elegant, aesthetically pleasing and yet unobtrusive in design.

MAKING SPACE USEFUL



Product Portfolio

Contents

Aluminium Partitioning Systems

5

Partitioning for 64mm Steel Stud

Metinno 1000 Series	Centreline Glazing	32mm Profile	13mm Plasterboard	11
Metinno 2000 Series	Frontline Glazing	32mm Profile	13mm Plasterboard	33
Metinno 2000D Series	Double Glazing	32mm Profile	13mm Plasterboard	41
Metinno 5100 Series	Frontline Heavy Duty Glazing	50mm Profile	13mm Plasterboard	51
Metinno 5200 Series	Centreline Heavy Duty Glazing	50mm Profile	13mm Plasterboard	59

Partitioning for 76mm Steel Stud

Metinno 7000 Series	Offset Glazing	32 mm Profile	13mm Plasterboard	67
---------------------	----------------	---------------	-------------------	----

Partitioning for 92mm Steel Stud

Metinno 3000 Series	Offset Glazing	32mm Profile	13mm Plasterboard	75
Metinno 9000 Series	Offset Glazing	45mm Profile	13mm Plasterboard	83
Metinno 9000C Series	Centreline Glazing	45mm Profile	13mm Plasterboard	91
Metinno 9000D Series	Double Glazing	45mm Profile	13mm Plasterboard	99

Aluminium Sliding Door Systems

107

Sliding Door System

Metinno 5000 Series	Sliding Door System	109
---------------------	---------------------	-----

Aluminium Hinged Door Systems

141

Hinged Door System

Metinno 6000 Series	Narrow & Wide Stile	143
---------------------	---------------------	-----



ShadowMax Systems

153

Consistent Shadowline for Ceiling, Door, Skirting & Wall Intersections

ShadowMax Ceilings	155
ShadowMax Door Frame	165
ShadowMax Skirting	171

Aluminium Skirting

177

Screw & Adhesive Fix

Aluminium Skirting	179
--------------------	-----

Cavity Sliding Door Systems

185

Cavity Sliders

Metinno Archiline	188
Metinno Flushline	192
Metinno Shadowline	196
Metinno Aluminium	200

Access Panels

213

Premium Flanged & Set Bead

Metinno Access Panels	215
-----------------------	-----



METINNO®

Aluminium Partitioning Systems

The innovative Metinno partitioning suite has been specially designed to improve efficiency, aesthetics and answer the practical needs in today's office environments.

The system is unique as it provides a consistent 32mm profile when interchanging between applications where a 64mm, 76mm or 92mm stud framing is being used with 13mm plasterboard. A 45mm profile is also available in 92mm stud framing where a defined bold look is required, or a visual connection with a shop-front system used externally. Alternatively, achieve a heavy-duty look with a 50mm profile to suit 64mm stud.

For improved acoustic performance some of the systems offer different glazing options along with deep pockets to greatly reduce noise transfer. The deep pocket sections also add stability with a direct fixing which requires no packers and are simpler to glaze due to better glass overlap which in return results in a faster installation process.

Features and Benefits:

- Maintains a high profile corporate image throughout an office project, especially at doorways and openings.
- Includes many unique, built-in extrusion design features increasing the strength of the systems, adding productivity on-site during installation and accommodating any office partitioning situation.
- Eliminates unsightly vertical join lines along the face of extrusion producing an aesthetically pleasing result.
- Made of quality Aluminium and available in natural anodised, mill finish or powder coated to any colour.
- Environmentally friendly product which is often recycled in the building industry.
- High acoustic ratings can be achieved with our double glazing systems.
- Deep pocket profiles:
 - Enhanced strength by transferring support of the glass weight through the sill section to the floor.
 - Simplifies installation process saving time and money.
 - Improved stability through direct fixing with no packers.
 - Improved acoustic rating by reducing inter-office noise transfer.
- Compatible with 35mm, 40mm and 45mm doors in timber and aluminium.





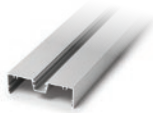
METINNO®

Aluminium Partitioning

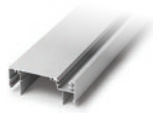
Quick Reference

Partitioning for 64mm Steel Stud

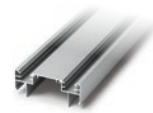
32mm Profile



1000 Series
Centreline Glazing System
Page 11

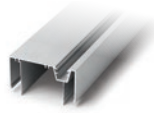


2000 Series
Frontline Glazing System
Page 33

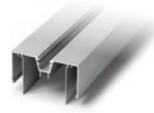


2000D Series
Double Glazing System
Page 41

50mm Profile



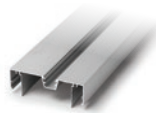
5100 Series
Frontline Heavy Duty Glazing System
Page 51



5200 Series
Centreline Heavy Duty Glazing System
Page 59

Partitioning for 76mm Steel Stud

32mm Profile

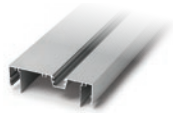


7000 Series
Offset Glazing system
Page 67

ALUMINIUM PARTITIONING SYSTEMS

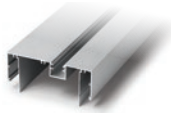
Partitioning for 92mm Steel Stud

32mm Profile

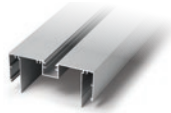


3000 Series
Offset Glazing System
Page 75

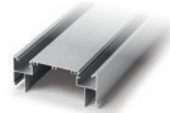
45mm Profile



9000 Series
Offset Glazing System
Page 83



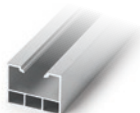
9000C Series
Centreline Glazing System
Page 91



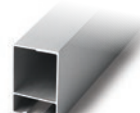
9000D Series
Double Glazing System
Page 99

Slimline Partitioning Glazing

32mm Profile



5000 Series
Sliding Door System
Page 109



6000 Series
Hinged Door System
Page 143



MAKING SPACE USEFUL

METINNO®

1000 Series

Centreline Glazing System

- Available in natural anodised or mill finish for powder coating to any colour
- Used in conjunction with the Metinno 2000 & 5000 Series, provides unlimited options
- Compatible with timber and glazed aluminium doors



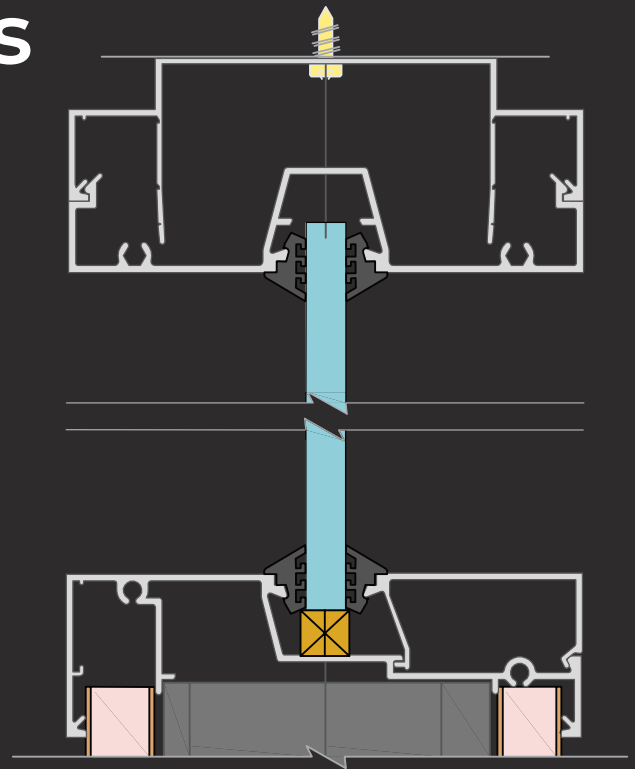
METINNO® 1000 Series

Centreline Glazing System

A favourite for it's versatility, pair with any door

The Metinno 1000 Series forms the basis of the Metinno Aluminium Partitioning range, combining a cost efficient, aesthetically pleasing and practical solution to the needs of today's office environment into one unique system. The suite is characterised by a consistent 32mm profile which many other systems are unable to achieve.

The section's design eliminates unsightly vertical join lines to the face of extrusions, producing an aesthetically pleasing result. The Metinno 1000 system offers a large range of extrusions to accommodate for almost every conceivable situation. The system will accommodate 35mm, 40mm or 45mm doors, timber or glazed aluminium.



1000 Series

Maintain visual balance with centre glazing & a slim profile

The system provides a consistent 32mm profile when interchanging between applications where a 64mm, 76mm or 92mm stud framing is being used with 13mm plasterboard.

Deep pocket main frames improve the ability to greatly reduce noise transfer, improving acoustics within a space. The deep pocket allows extra stability due to direct fixing, while creating a simpler installation process, saving time and costs on site.

For more product inspiration and to download CAD and Specification files visit adxarchitectural.com.au.



ET 2015

ain

19

GEM

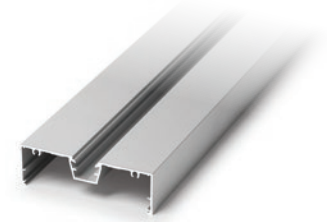
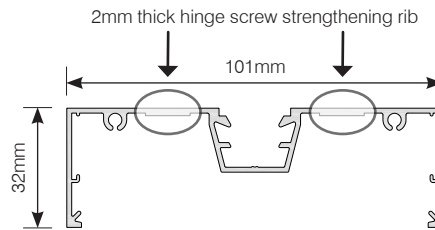
ni

METINNO® 1000 Series

CENTRELINE GLAZING SYSTEM

1000 | Main Frame

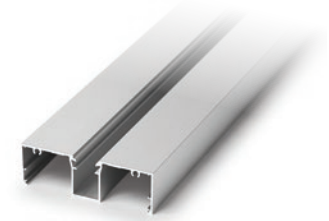
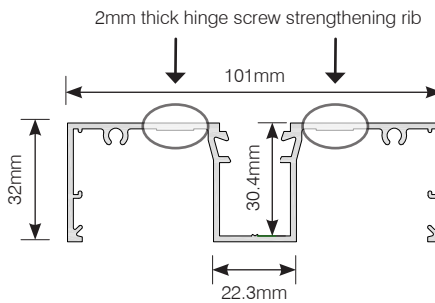
- Used for the construction of glazed partitions with vertical mullions.
- 2mm thick hinge screw strengthening rib to provide additional metal where the hinge fixing is required.



Section	Natural Anodised Available Length (m)	Mill Finish Available Length (m)	Connects With
1000	2.8, 3.6	2.8, 3.6	1004, 1005, 1006, 1012, 1013, 1014, 1015, 1017, 2004, 2004D, 2005, 2005D, 5004

1000DP | Deep Pocket Main Frame

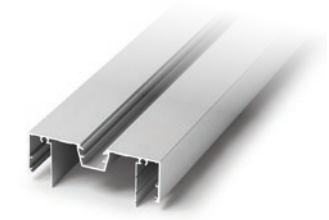
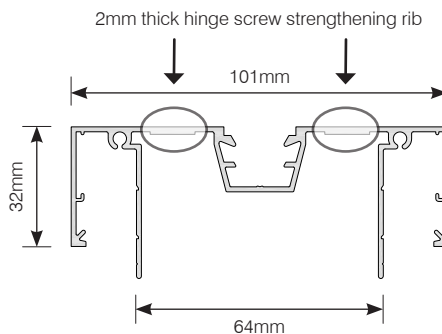
- Ceiling and wall starter.
- Better support through floor.
- No need for adaptors or packers when installing.
- Improved acoustic seal.
- Deep pocket makes shuffle glazing easier.
- 2mm thick hinge screw strengthening rib to provide additional metal where the hinge fixing is required.



Section	Natural Anodised Available Length (m)	Mill Finish Available Length (m)	Connects With
1000DP	2.8, 3.6, 5.5	5.5	1006, 1012, 1013, 1014, 1015, 1017

1001 | Main Frame with Fins

- Fins simplify the installation of the section where door frames or windows are required to be installed within a plasterboard drywall partition.
- Provides extra fixing points for increased stability.
- 2mm thick hinge screw strengthening rib to provide additional metal where the hinge fixing is required.

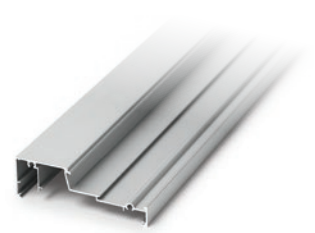
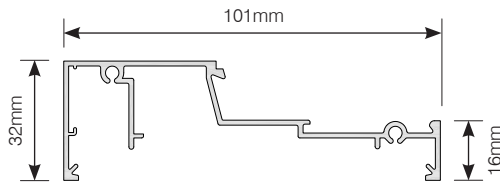


Section	Natural Anodised Available Length (m)	Mill Finish Available Length (m)	Connects With
1001	2.8, 3.6, 5.5	2.8, 3.6, 5.5	1004, 1005, 1006, 1012, 1013, 1014, 1015, 1017, 2004, 2004D, 5004

ALUMINIUM PARTITIONING SYSTEMS

1002 | Sill Transom

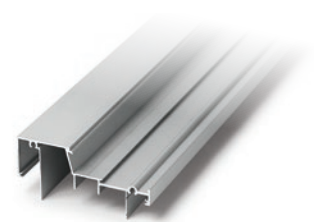
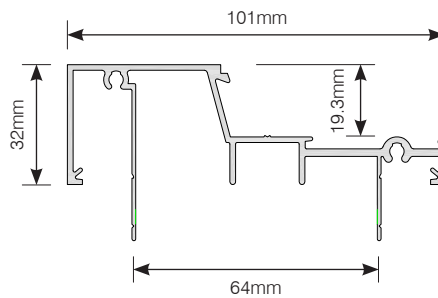
- Beneficial when constructing horizontal transoms in glass walls or fan lights above doorways.
- Accommodates clip in bead for ease of glazing.
- Allows for glazing in accordance with Australian standards up to 6mm glass.



Section	Natural Anodised Available Length (m)	Mill Finish Available Length (m)	Connects With
1002	3.6, 5.5	5.5	1003, 1004, 1005, 1006

1002DP | Deep Pocket Sill

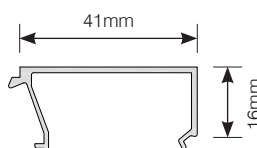
- Provides optimum support for the glazing through the extended fins below the pocket.
- 64mm stud locating fins can be easily snapped off for installation at floor.
- Allows for glazing in accordance with Australian standards up to 12.38mm glass.
- Accommodates clip in bead for ease of glazing.
- The locating fins for the 64mm track increases productivity when installing this section on half height plasterboard partitions as it centres the section over the partition, allowing for the 13mm plasterboard to be installed with ease once the frames are in place.



Section	Natural Anodised Available Length (m)	Mill Finish Available Length (m)	Connects With
1002DP	2.8, 3.6, 5.5	2.8, 3.6, 5.5	1003DP, 1006

1003 | Sill Bead

- Strong sturdy profile.
- Clip in bead for ease of glazing.



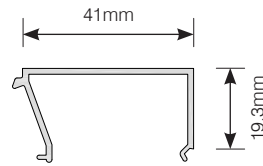
Section	Natural Anodised Available Length (m)	Mill Finish Available Length (m)	Connects With
1003	3.6, 5.5	5.5	1002, 3002, 7002

METINNO® 1000 Series

CENTRELINE GLAZING SYSTEM

1003DP | Deep Pocket Sill Bead

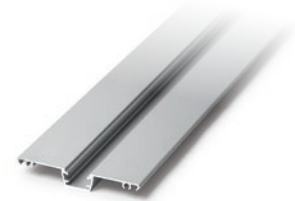
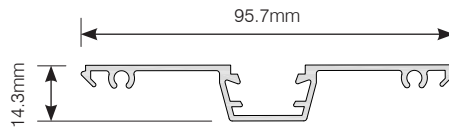
- Strong sturdy profile.
- Clip in bead for ease of glazing.



Section	Natural Anodised Available Length (m)	Mill Finish Available Length (m)	Connects With
1003DP	2.8, 3.6, 5.5	2.8, 3.6, 5.5	1002DP, 5202

1004 | Glazing Adaptor

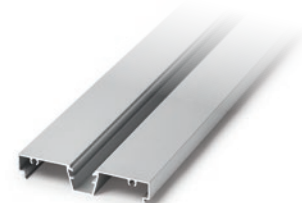
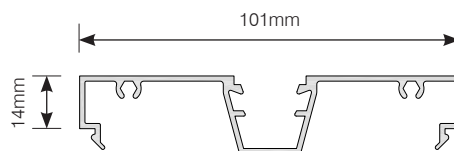
- Low profile.
- Clips into Main Frame to form mullion.



Section	Natural Anodised Available Length (m)	Mill Finish Available Length (m)	Connects With
1004	2.8, 3.6	2.8, 3.6	1000, 1001, 1002, 1009, 1010, 1011

1005 | Ceiling Channel Adaptor

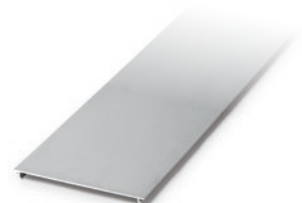
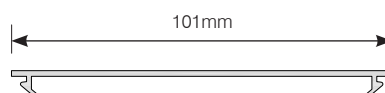
- This section provides flexibility of installation and a quick clip in function when used in conjunction with 1011.
- Increased pocket depth for ease of glazing.
- Maintains a consistent 32mm appearance.



Section	Natural Anodised Available Length (m)	Mill Finish Available Length (m)	Connects With
1005	2.8, 5.5	5.5	1000, 1001, 1002, 1009, 1010, 1011, 5000, 5101, 5102, 5201, 5202

1006 | Flat Filler

- Used to finish off ends of glazing nib walls.
- Neat flat profile.

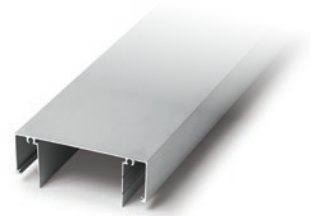
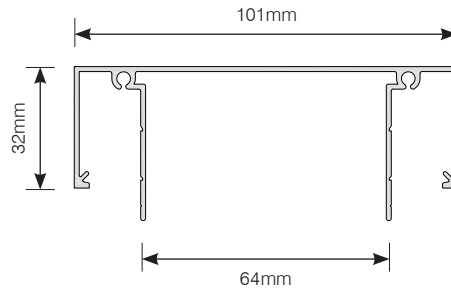


Section	Natural Anodised Available Length (m)	Mill Finish Available Length (m)	Connects With
1006	3.1	-	Systems: 1000, 2000 & 5000 Main Frames

ALUMINIUM PARTITIONING SYSTEMS

1009 | Plain Frame

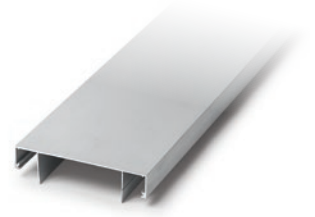
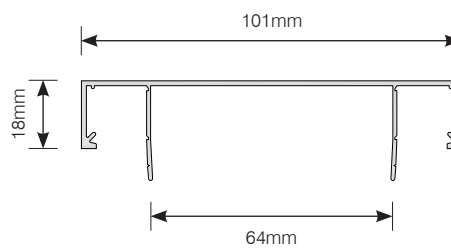
- Used for sliding door openings, end caps and door frames.
- Acoustic seals can be surface mounted.
- Can be used as a ceiling channel.



Section	Natural Anodised Available Length (m)	Mill Finish Available Length (m)	Connects With
1009	2.8, 5.5	5.5	1004, 1005, 1006, 2004, 2004D, 2005, 2005D, 5004, 5204

1010 | Ceiling Channel

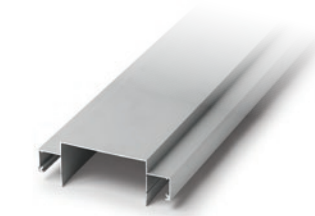
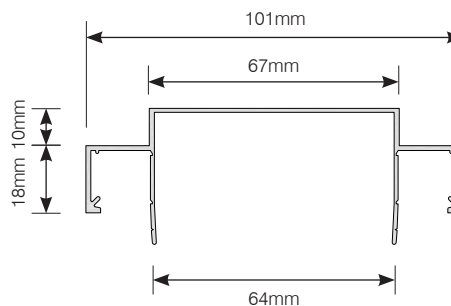
- Ceiling channel and wall starter for partitions.
- Quick and easy to use.



Section	Natural Anodised Available Length (m)	Mill Finish Available Length (m)	Connects With
1010	5.5	5.5	1004, 1005, 1006, 2004, 2004D, 2005, 2005D

1011 | Shadowline Ceiling Channel

- Ceiling channel and wall starter for partitions.
- Incorporates a shadow line.
- Even and consistent shadow line.

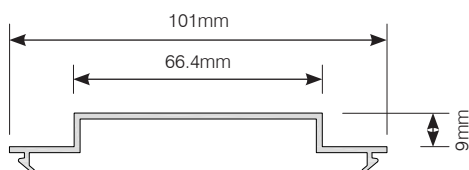


Section	Natural Anodised Available Length (m)	Mill Finish Available Length (m)	Connects With
1011	5.5	5.5	1004, 1005, 1006, 2004, 2004D, 2005, 2005D, 5204

CENTRELINE GLAZING SYSTEM

1017 | Shadowline Ceiling Adaptor

- Incorporates a shadow line.
- Easy installation.
- Enhances acoustic qualities when clipped into the back of the Main Frames.



Section	Natural Anodised Available Length (m)	Mill Finish Available Length (m)	Connects With
1017	2.8	-	1000, 1000DP, 1001, 1009, 2000, 2000D, 5101, 5201

1012 | Pocket Filler

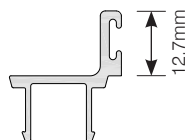
- Pocket filler for all glazing pocket systems.
- Clips in for easy installation.



Section	Natural Anodised Available Length (m)	Mill Finish Available Length (m)	Connects With
1012	5.5	-	System: 1000, 2000, 5000, 7000, 9000 Main Frames

1013 | 35mm Door Stop

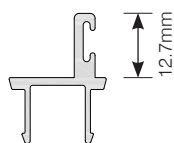
- Maintains a uniform and attractive partition system.
- Promotes high acoustic qualities.
- Offset to suit 35mm door.



Section	Natural Anodised Available Length (m)	Mill Finish Available Length (m)	Connects With	Accepts
1013	2.8, 3.6, 5.5	5.5	System: 1000, 3000, 7000, 9000 Main Frames & Adaptors	1020, 1021DS

1015 | 40mm Door Stop

- Maintains a uniform and attractive partition system.
- Promotes high acoustic qualities.
- Offset to suit 40mm door.

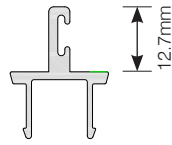


Section	Natural Anodised Available Length (m)	Mill Finish Available Length (m)	Connects With	Accepts
1015	2.8, 3.6, 5.5	5.5	System: 1000, 3000, 7000, 9000 Main Frames & Adaptors	1020, 1021DS

ALUMINIUM PARTITIONING SYSTEMS

1014 | 45mm Door Stop

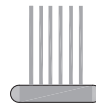
- Maintains a uniform and attractive partition system.
- Promotes high acoustic qualities.
- Offset to suit 45mm door.



Section	Natural Anodised Available Length (m)	Mill Finish Available Length (m)	Connects With	Accepts
1014	2.8, 3.6, 5.5	2.8, 3.6, 5.5	System: 1000, 3000, 7000, 9000 Main Frames & Adaptors	1020, 1021DS

1020 | Schlegel Wool Pile Seal

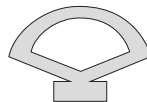
- Insertable wool pile seal.
- Suitable for general use.
- Good acoustic properties.



Section	Available Finish	Connects With
1020	Black/Grey	5030, 5031A, Door Stops: 1013, 1014, 1015

1021DS | Rubber Door Seal

- Insertable rubber bulb seal.
- Suitable for light acoustic requirements.
- Acts as an attractive buffer for door stops.

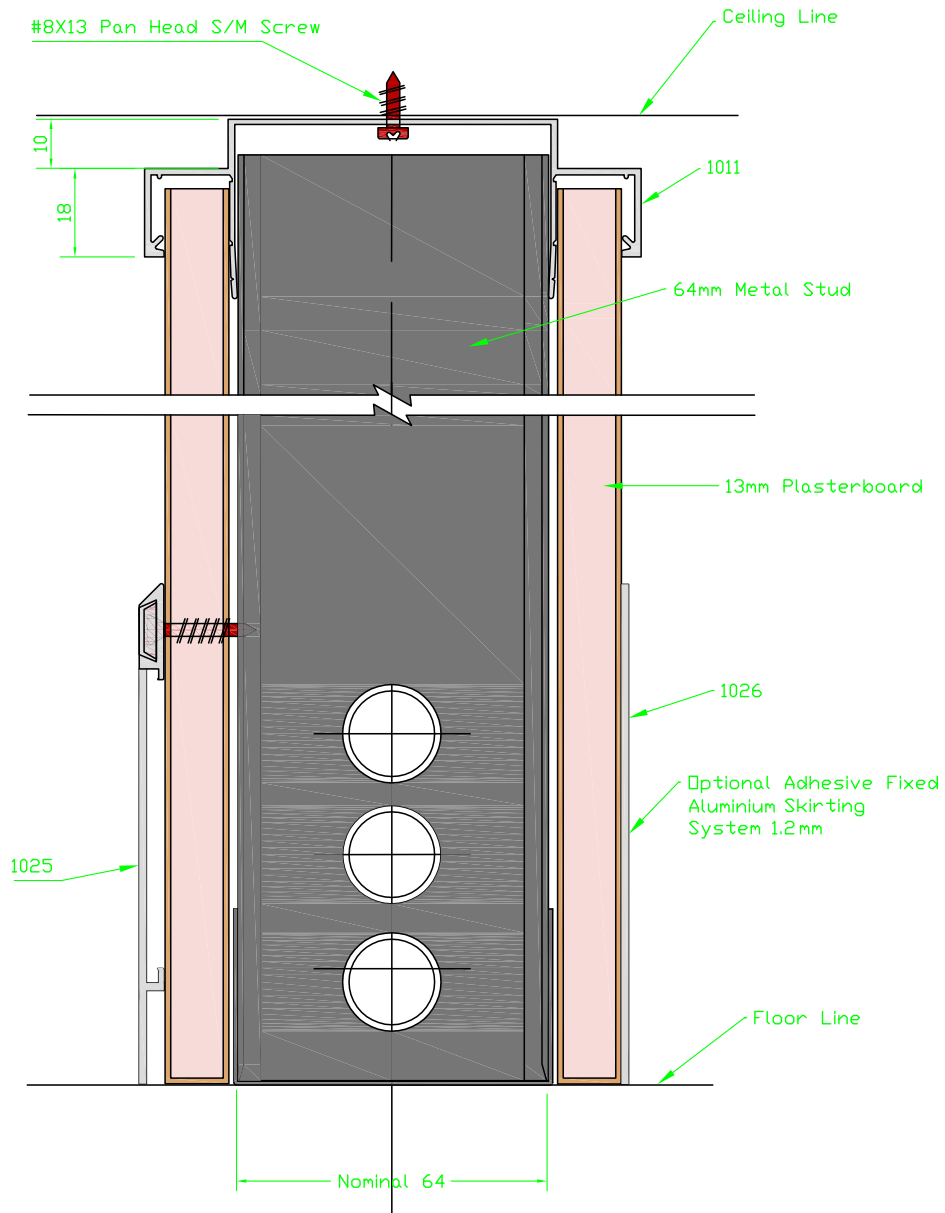


Section	Available Finish	Connects With
1021DS	Black	Door Stops: 1013, 1014, 1015

METINNO® 1000 Series

CENTRELINE GLAZING SYSTEM

Detail 1 | Vertical Section Applied to Metinno 1000, 2000, & 2000D

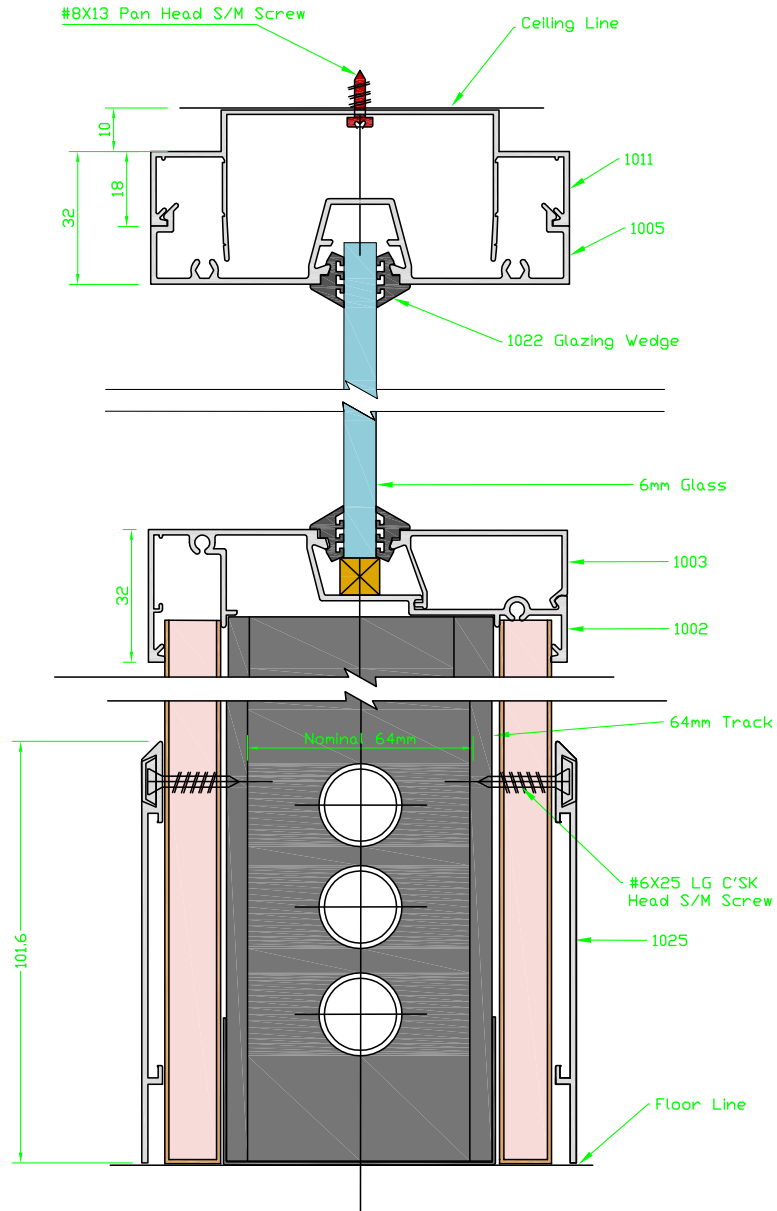


Colour Legends

- Aluminium Partition (face and section)
- Steel Stud
- Plasterboard Profile

ALUMINIUM PARTITIONING CONSTRUCTION DETAILS

Detail 2 | Vertical Section – Centreline Glazing

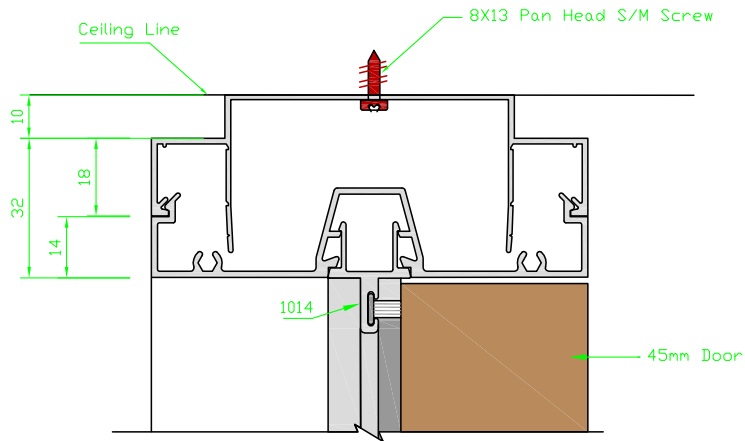


- Glass
- Door
- Glazing Wedge Elevation View
- Glazing Wedge Profile
- Silicone Joint
- Timber Stud

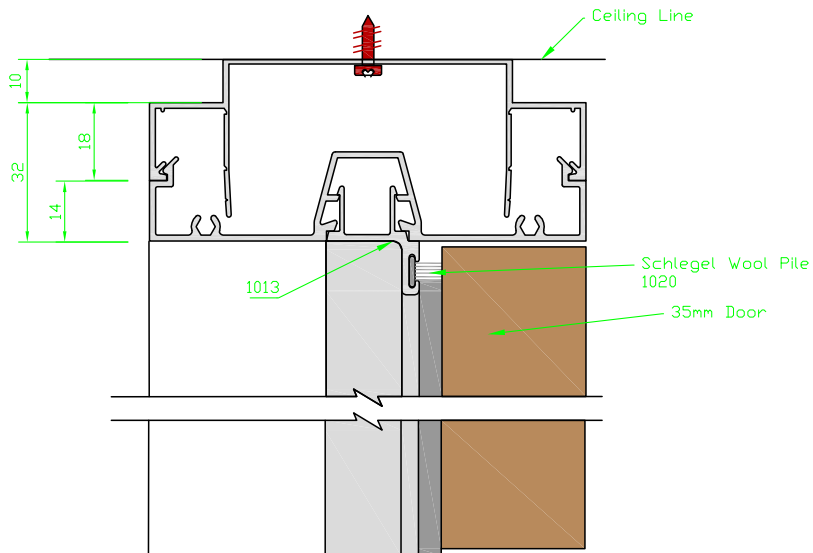
METINNO® 1000 Series

CENTRELINE GLAZING SYSTEM

Detail 3 | Vertical Section Door Frame Assembly



Showing adaption to 45mm full height door detail



Showing adaption to 35mm full height door detail

Colour Legends

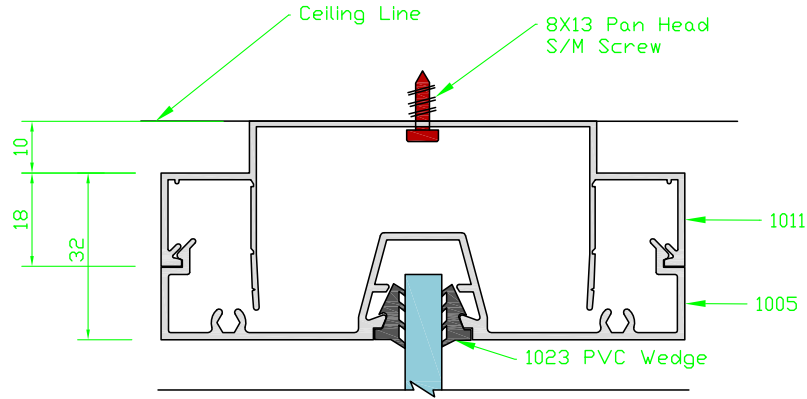
Aluminium Partition (face and section)

Steel Stud

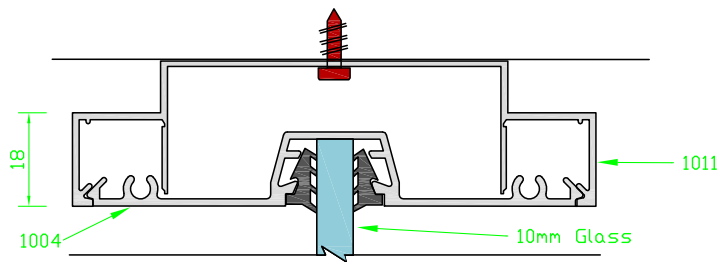
Plasterboard Profile

ALUMINIUM PARTITIONING CONSTRUCTION DETAILS

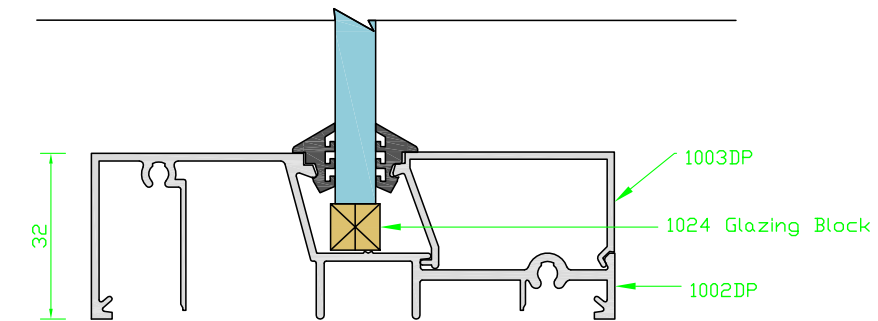
Detail 4 | Vertical Section Centreline Glazing Deep Pocket Detail



32mm shadowline head detail



18mm shadowline head detail



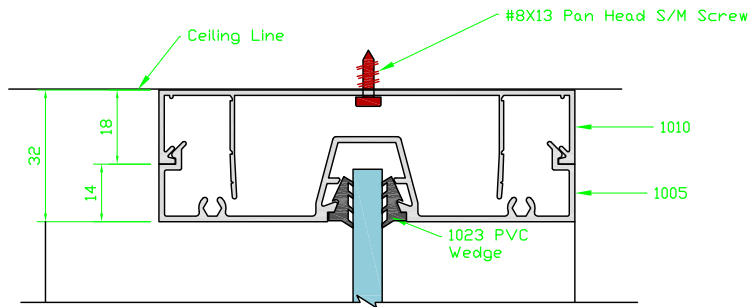
Deep pocket sill detail

- Glass
- Door
- Glazing Wedge Elevation View
- Glazing Wedge Profile
- Silicone Joint
- Timber Stud

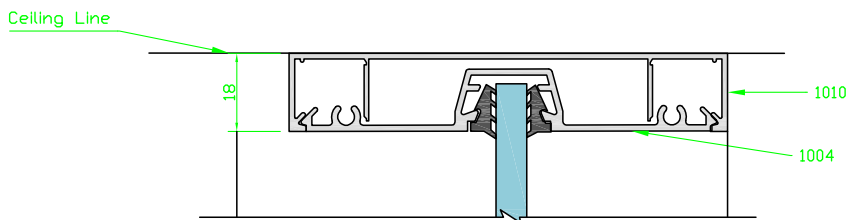
METINNO® 1000 Series

CENTRELINE GLAZING SYSTEM

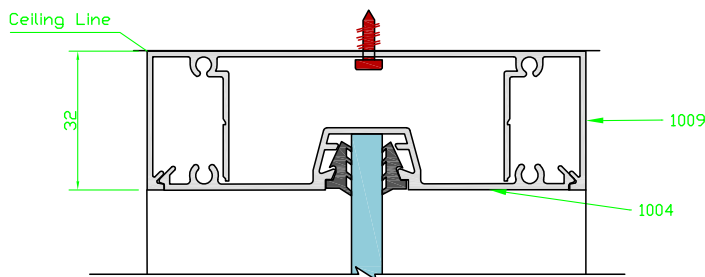
Detail 5 | Vertical Sections Full Height Glazing Ceiling Detail



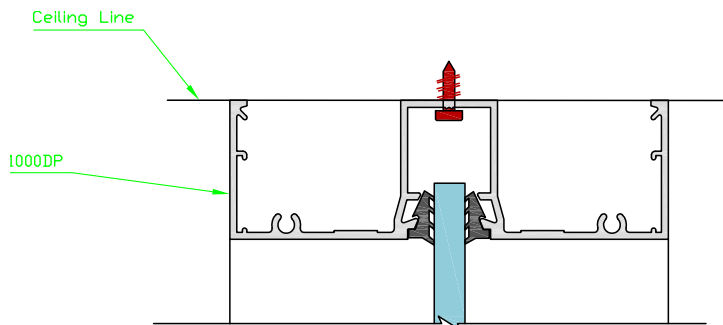
Glazed split head detail



Glazed low profile head detail



Glazed adaptor head detail



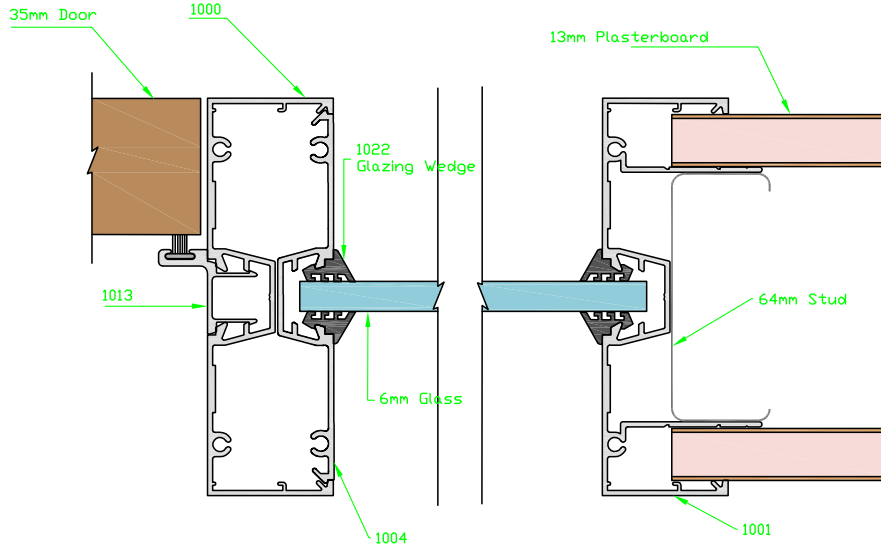
Deep pocket glazed head detail

Colour Legends

- Aluminium Partition (face and section)
- Steel Stud
- Plasterboard Profile

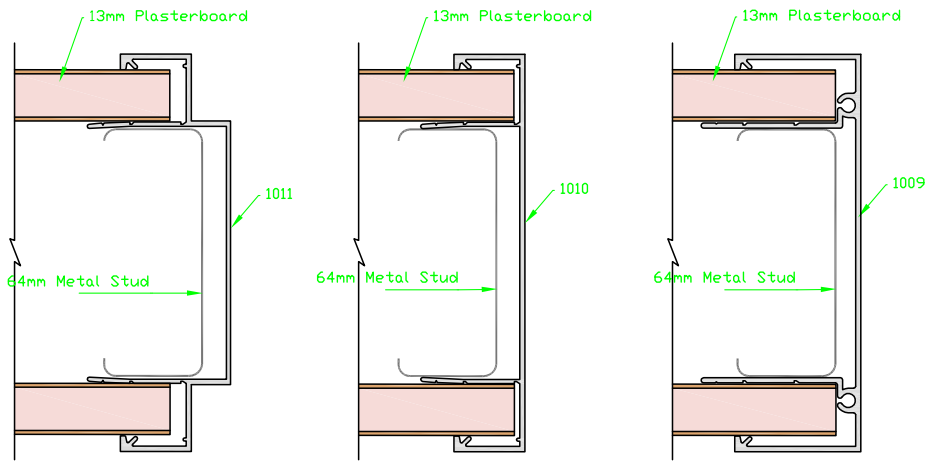
ALUMINIUM PARTITIONING CONSTRUCTION DETAILS

Detail 6 | Horizontal Assembly Detail – Glazed Mullion Door Detail



Glazed mullion door detail

Detail 7 | Horizontal Assembly Detail – Wall End Details



Shadow end cap detail

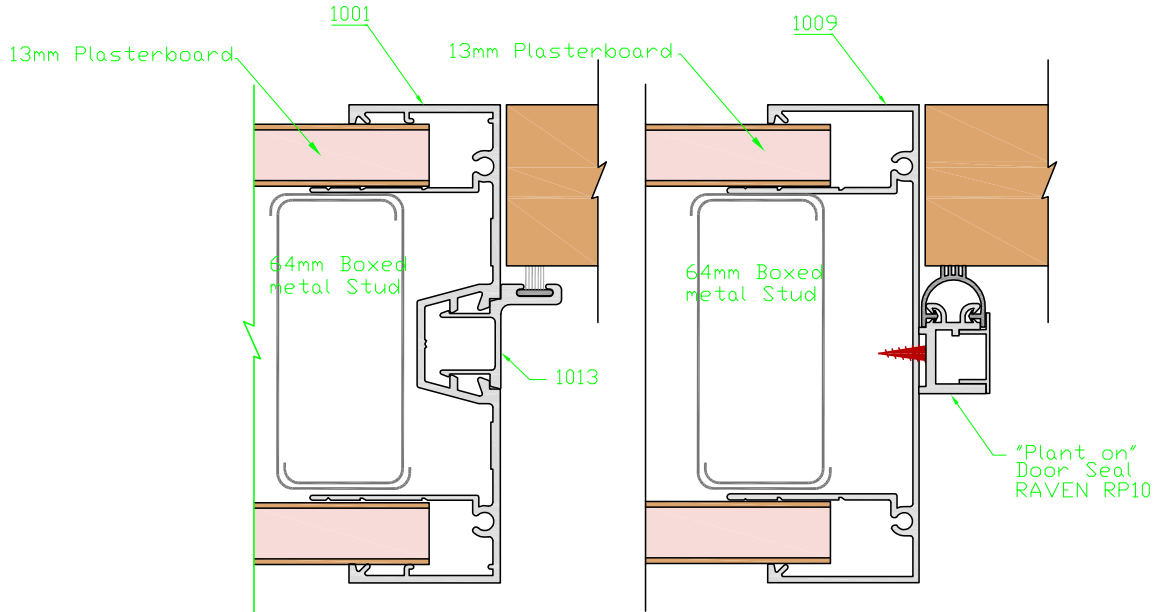
Slimline end cap detail

Standard end cap detail

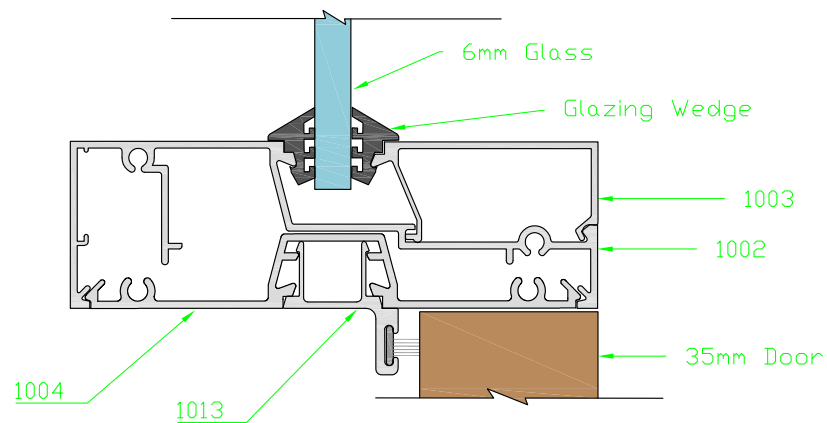
METINNO® 1000 Series

CENTRELINE GLAZING SYSTEM

Detail 8 | Typical Door Section Options



Detail 9 | Horizontal Transom Above Door

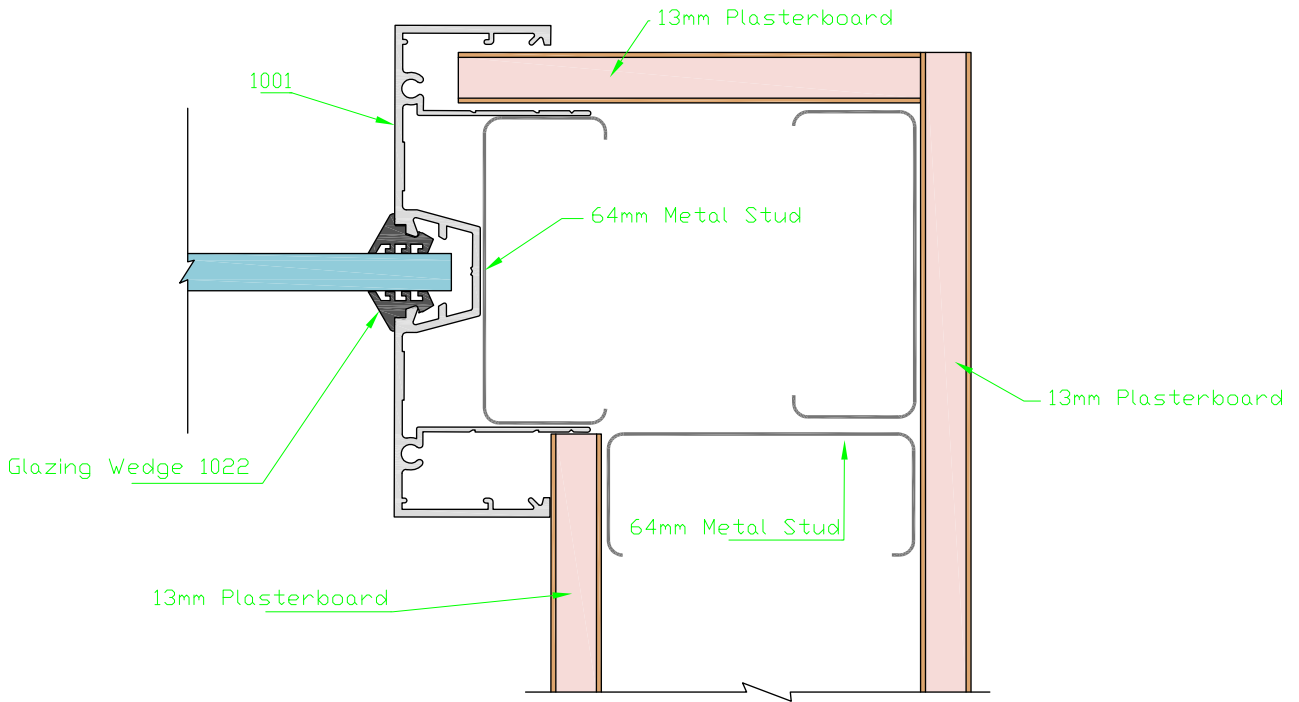


Colour Legends

- Aluminium Partition (face and section)
- Steel Stud
- Plasterboard Profile

ALUMINIUM PARTITIONING CONSTRUCTION DETAILS

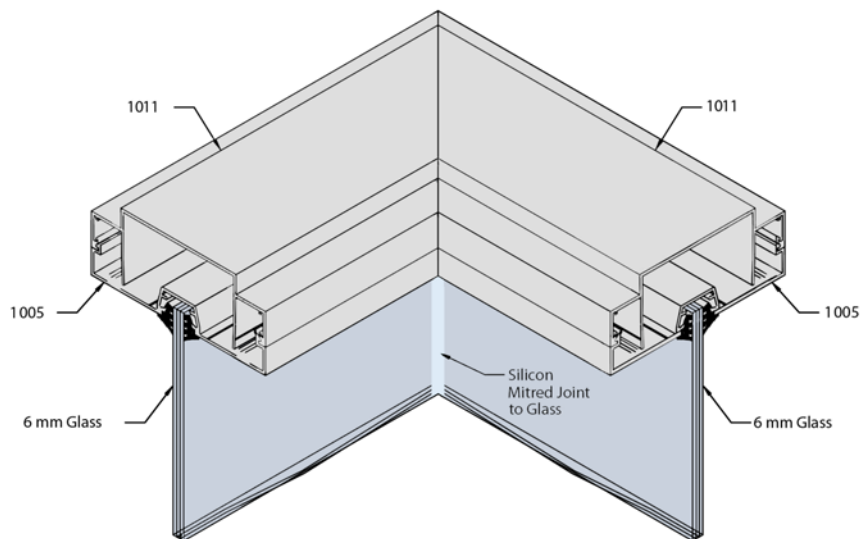
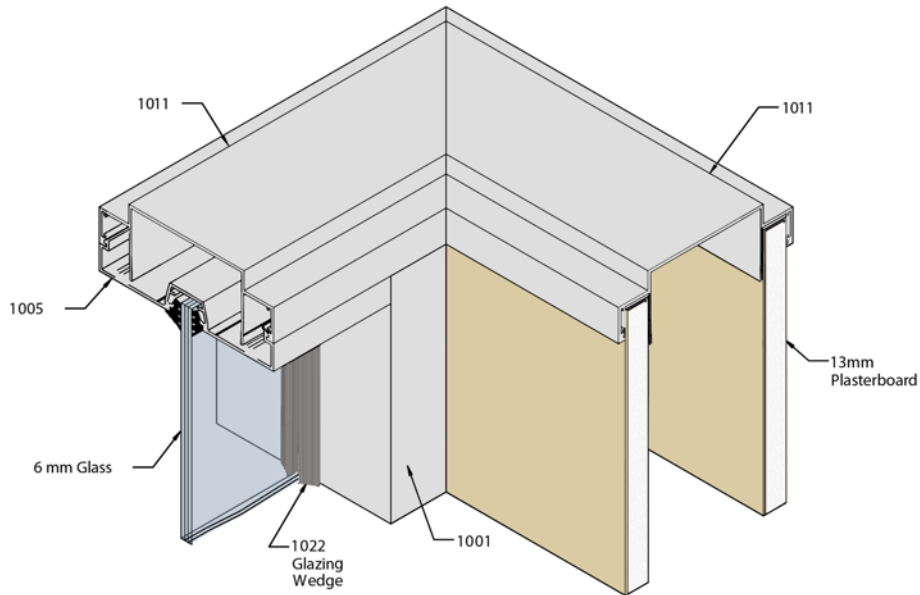
Detail 10 | Corner Detail



METINNO® 1000 Series

CENTRELINE GLAZING SYSTEM

Detail 11 | Corner Options



Colour Legends

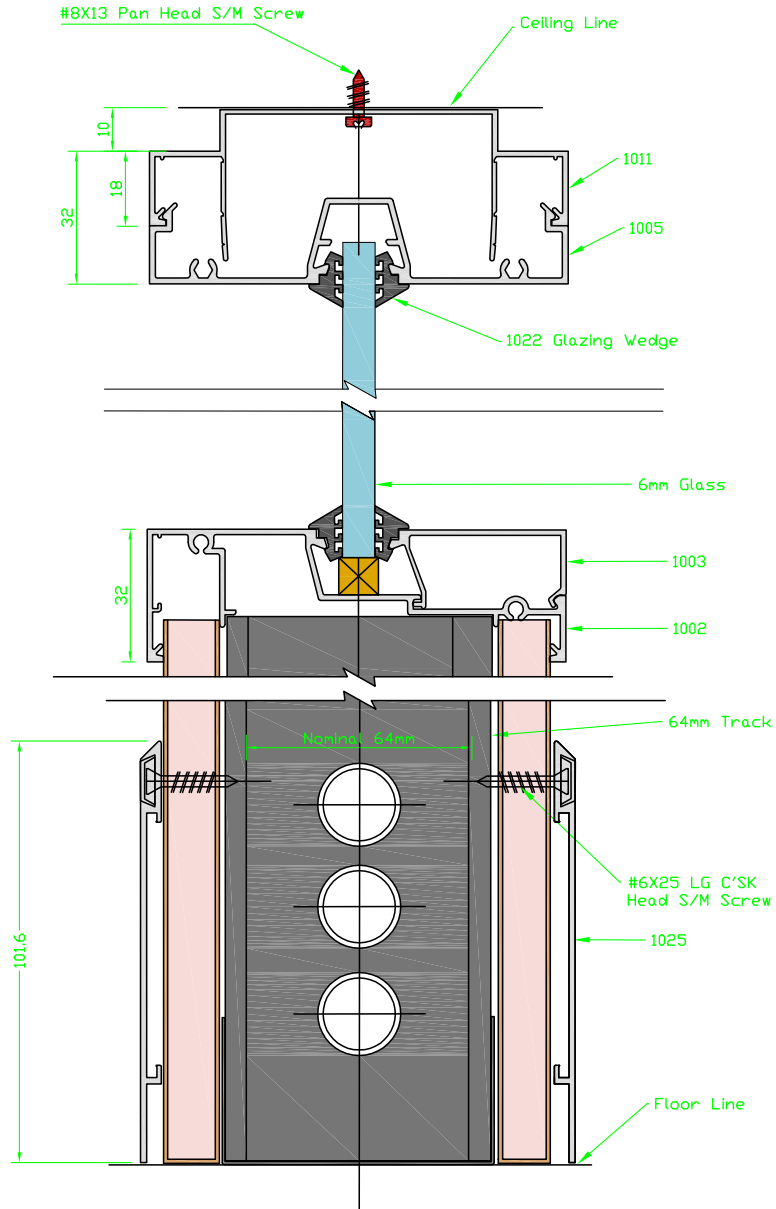
Aluminium Partition (face and section)

Steel Stud

Plasterboard Profile

ALUMINIUM PARTITIONING CONSTRUCTION DETAILS

Detail 12 | Half Height Glazed Wall Cross Section

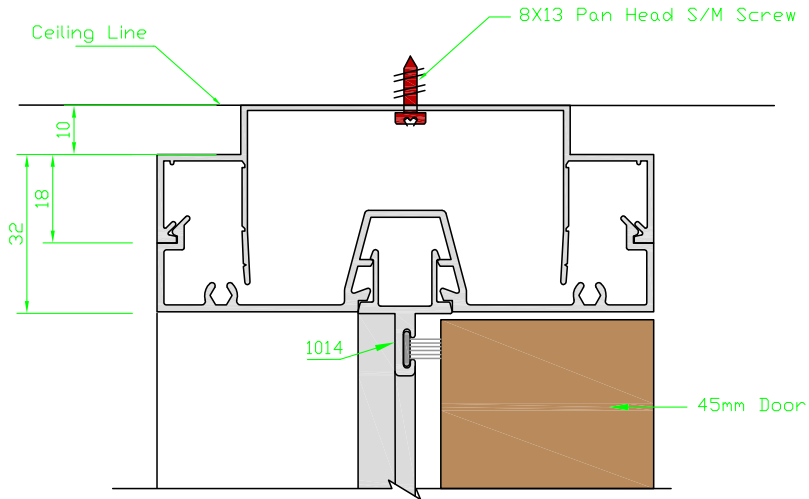


- Glass
- Door
- Glazing Wedge Elevation View
- Glazing Wedge Profile
- Silicone Joint
- Timber Stud

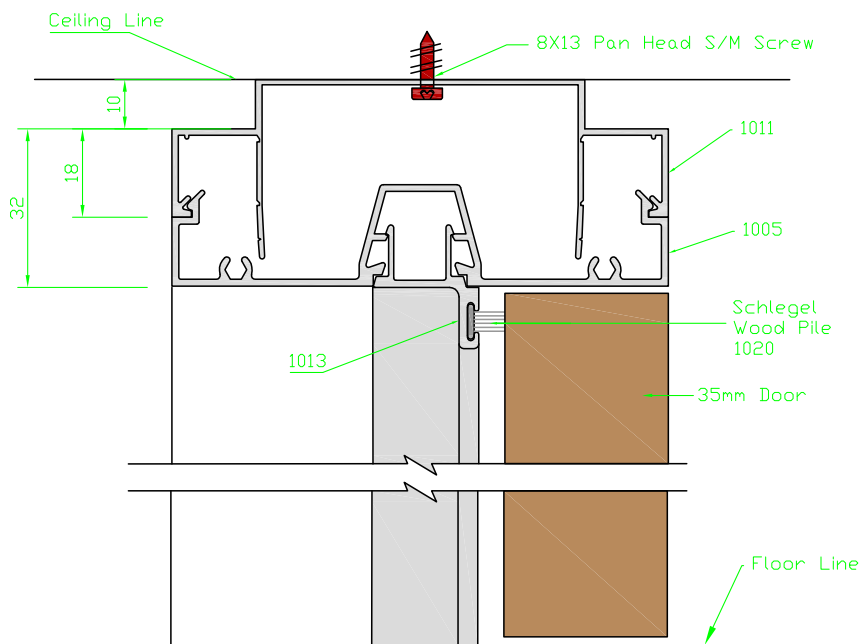
METINNO® 1000 Series

CENTRELINE GLAZING SYSTEM

Detail 13 | Full Height Door to Ceiling Cross Section



45mm door in shadow head detail



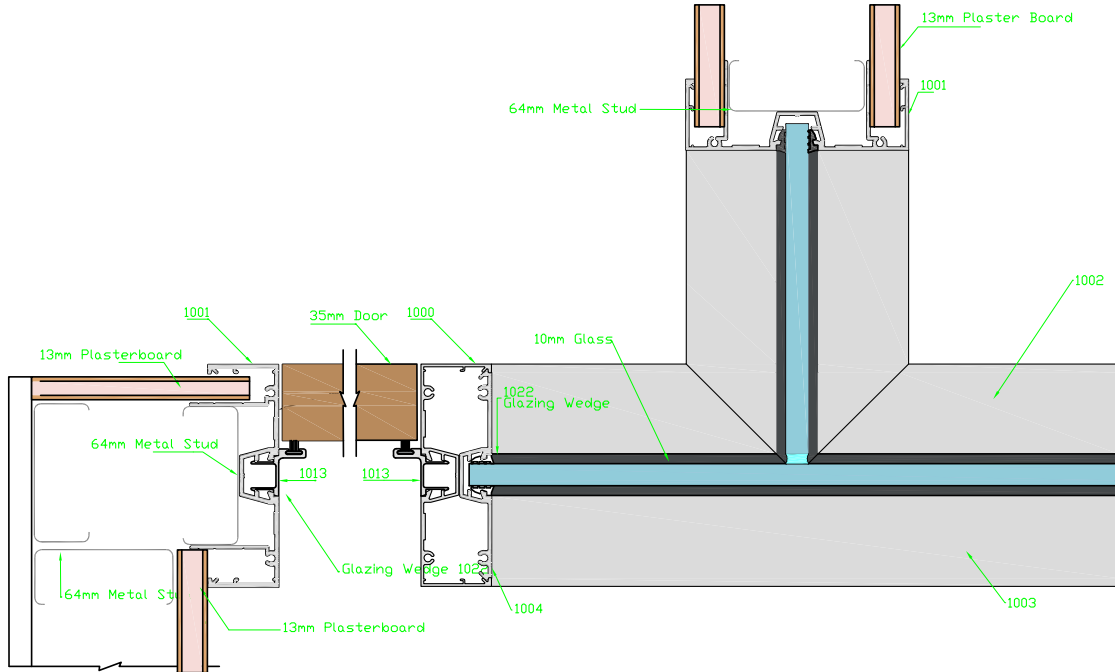
35mm door in shadow head detail

Colour Legends

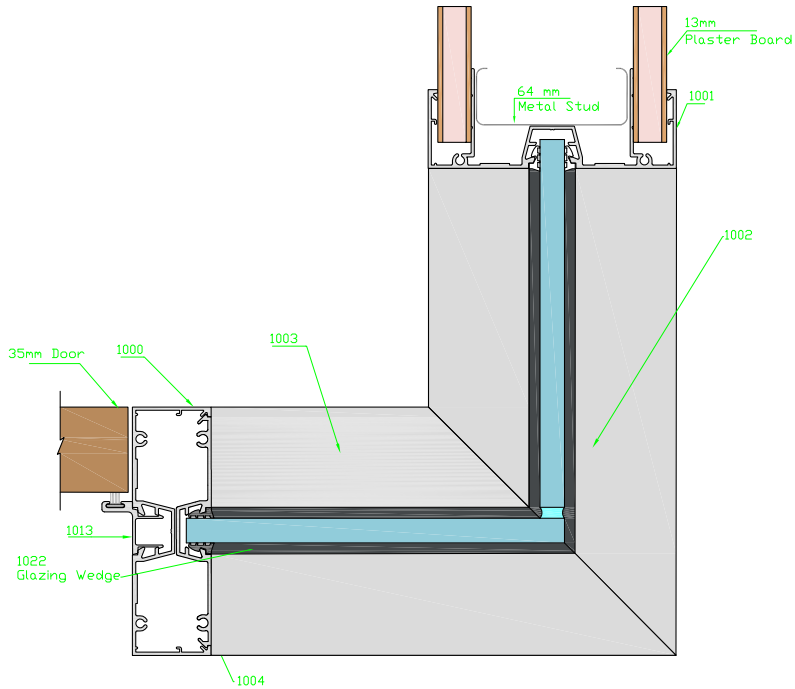
- Aluminium Partition (face and section)
- Steel Stud
- Plasterboard Profile

ALUMINIUM PARTITIONING CONSTRUCTION DETAILS

Detail 14 | Intersection Wall Junction



Detail 15 | Mitred Corner Detail



- Glass
- Door
- Glazing Wedge Elevation View
- Glazing Wedge Profile
- Silicone Joint
- Timber Stud



MAKING SPACE USEFUL

METINNO®

2000 Series

Frontline Glazing System

- Consistent 32mm profile
- Frontline glazing design
- Practical, cost efficient and aesthetically pleasing
- Creates additional space for window furnishings
- Available in natural anodised or mill finish for powder coating to any colour
- Completely interchangeable with the 1000, 2000D and 5000 Series



METINNO® 2000 Series

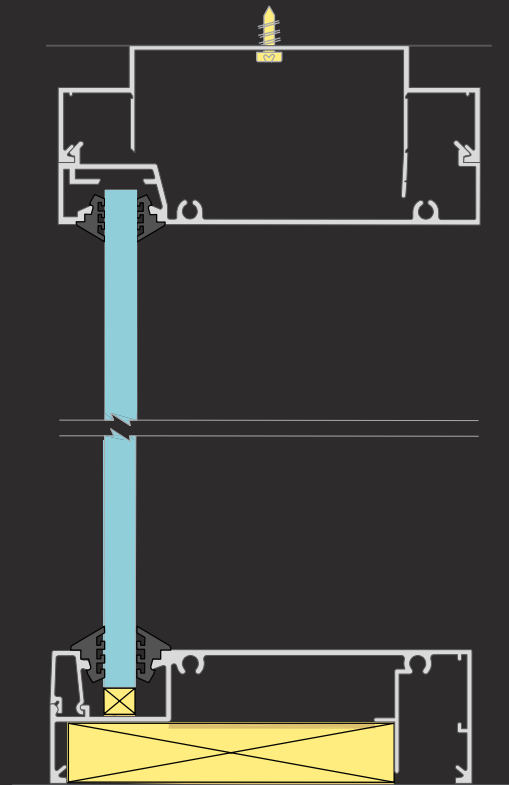
Frontline Glazing System

Create a distinguished office environment

The Metinno 2000 Series system will create a distinguished office environment when utilised. The feature of this system offers frontline glazing office panels while maintaining the 32mm profile design.

Create a continuous line throughout your space and improve aesthetics with a subtle aluminium border around the glass on the front side. Frontline glazing allows additional space on the other side for window furnishings or alternatively provides extra room within the space, increasing the net lettable area of an office.

There are unlimited designs that can be created when integrating the Metinno 2000 system with other systems like the Metinno 1000, 2000D or 5000 systems. A combination of frontline and double glazed panels can be constructed while still maintaining a consistent detail to one side.



2000 Series

Create consistent lines with frontline glazing

The innovative Metinno 2000 Series aluminium partitioning system is designed with a 32mm profile to create a continual line, even when integrated with other complimentary systems. The components of this system are interchangeable with either the Metinno 1000, 2000D or 5000 systems creating unparalleled scope to construct an outstanding partition layout.

With its frontline glazing profile, extra space is created to allow for window furnishings while generally creating a sense of more room within the space while keeping all components in line for a superior finish.

For more product inspiration and to download CAD and Specification files visit adxarchitectural.com.au.

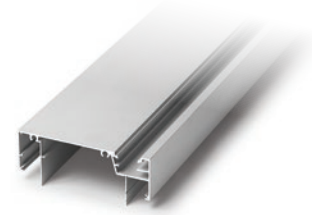
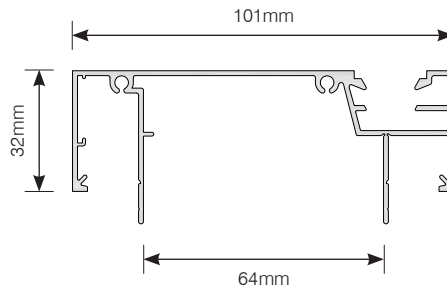


METINNO® 2000 Series

FRONTLINE GLAZING SYSTEM

2000 | Main Frame

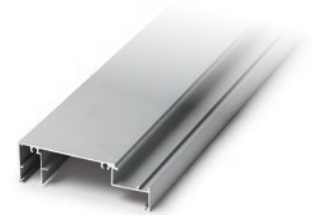
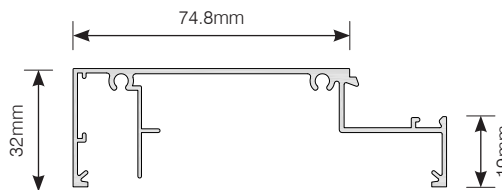
- Primary section of the exclusive Metinno 2000 Frontline Glazing.
- Will accept 2004 snapped into the back of the section forming a mullion capable of being glazed on both sides with a slimline profile of only 32mm.



Section	Natural Anodised Available Length (m)	Mill Finish Available Length (m)	Connects With
2000	5.5	-	1004, 1005, 1006, 1017, 2004, 2004D, 2005, 2005D

2002 | Sill Transom

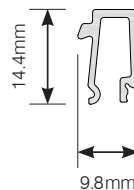
- This section facilitates the glazing of individual glass panels, conforming to Australian Standards.
- Will accept 2003, 1004 and 2004 to create a transom section whilst maintaining the consistent slimline appearance of only 32mm.
- A locating pin is built into the section which automatically centres a 64mm track when constructing half height plasterboard walls and allowing 13mm plasterboard to be installed within the width of the section.



Section	Natural Anodised Available Length (m)	Mill Finish Available Length (m)	Connects With
2002	5.5	5.5	1004, 1005, 2003, 2004, 2005, 2005D

2003 | Sill Bead

- Clips in bead for glazing ease.
- Strong sturdy profile.

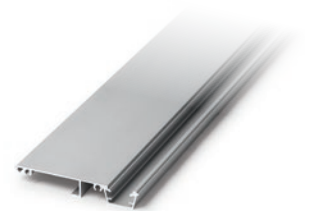
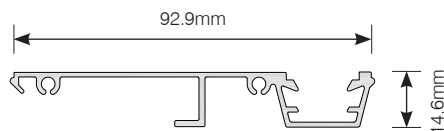


Section	Natural Anodised Available Length (m)	Mill Finish Available Length (m)	Connects With
2003	5.5	-	2002, 2002D



2004 | Glazing Adaptor

- Designed primarily to clip into the Main Frame section to create a versatile Frontline System.

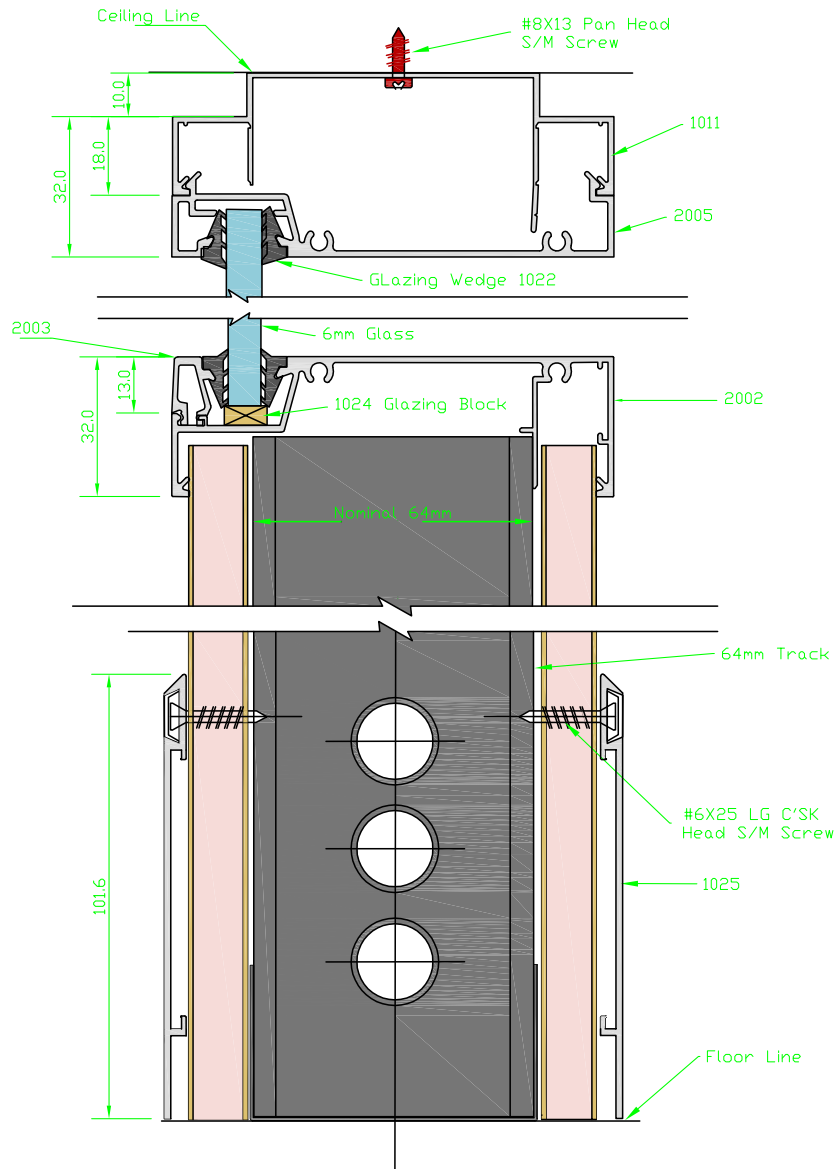


Section	Natural Anodised Available Length (m)	Mill Finish Available Length (m)	Connects With
2004	5.5	5.5	1001, 1009, 1010, 1011, 1012, 2000, 2000D, 2002, 2002D

METINNO® 2000 Series

FRONTLINE GLAZING SYSTEM

Detail 16 | Vertical Section Frontline Glazing

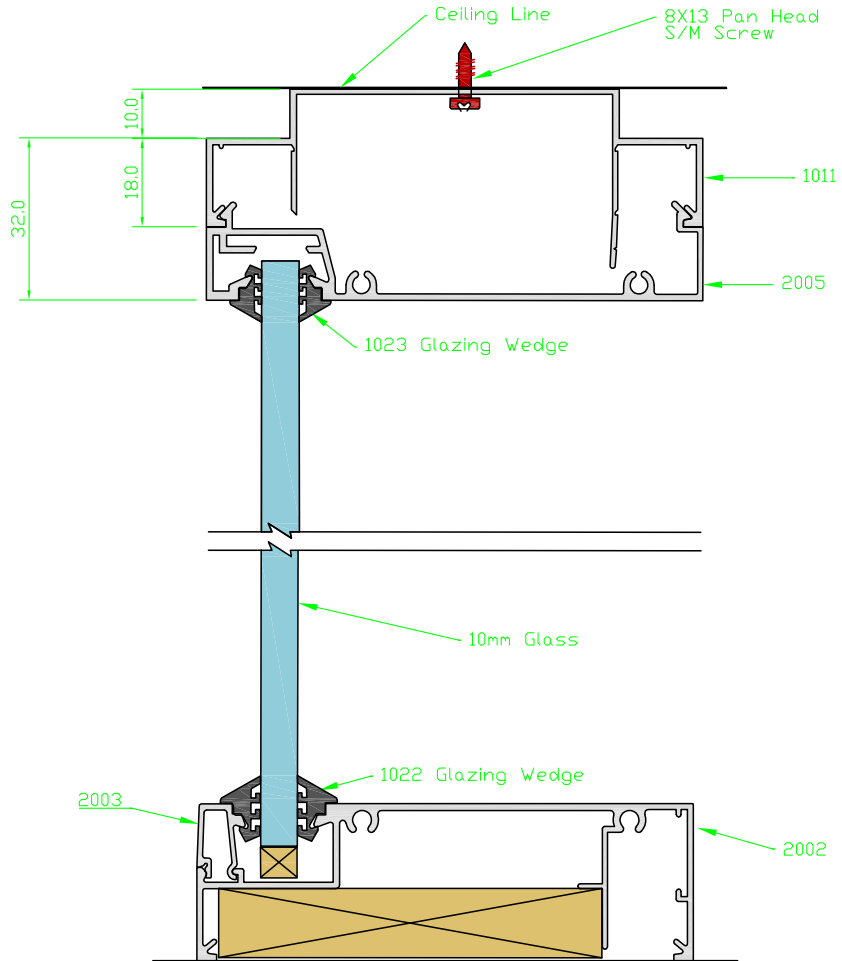


Colour Legends

- Aluminium Partition (face and section)
- Steel Stud
- Plasterboard Profile

ALUMINIUM PARTITIONING CONSTRUCTION DETAILS

Detail 17 | Vertical Cross Section Frontline Glazing



- Glass
- Door
- Glazing Wedge Elevation View
- Glazing Wedge Profile
- Silicone Joint
- Timber Stud



MAKING SPACE USEFUL

METINNO[®]

2000D Series

Double Glazing System

- Consistent 32mm profile
- Achieve an acoustic rating up to RW/STC 46
- Interchanges with the Metinno 1000, 2000 & 5000 systems



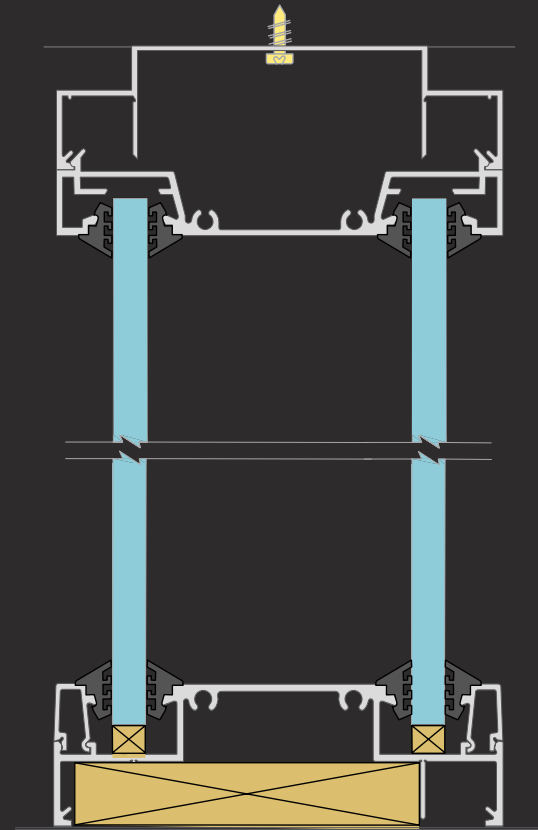
METINNO® 2000D Series

Double Glazing System

Control acoustics & achieve privacy in office spaces

With growing demand for high levels of acoustic performance, the Metinno 2000D system has been developed. Perfect for Manager's offices, conference rooms, board rooms and classrooms, this system creates a barrier to sound ensuring confidentiality and minimal disturbance between spaces.

Achieving an acoustic rating up to RW/STC 46, the Metinno 2000D system maintains its consistent 32mm face detail and integrates seamlessly with Metinno 1000, 2000 and 5000 systems.



2000D Series

Reduce noise transfer with double glazed design

The double-glazed profile of the Metinno 2000D system provides a high level of acoustic performance required in many applications.

Designed to improve efficiency during the installation process while achieving an aesthetically pleasing finish with its 32mm profile, this system suited for 64mm steel stud integrates seamlessly with the Metinno 1000, 2000 and 5000 systems.

For more product inspiration and to download CAD and Specification files visit adxarchitectural.com.au.

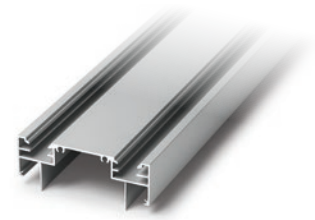
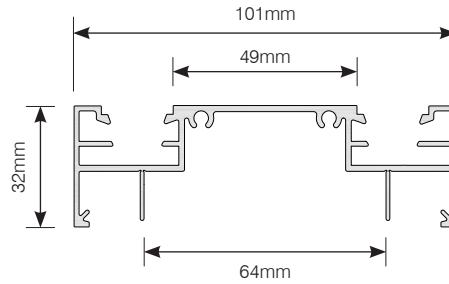


METINNO® 2000D Series

DOUBLE GLAZING SYSTEM

2000D | Main Frame

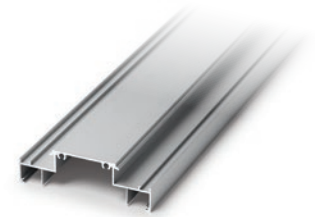
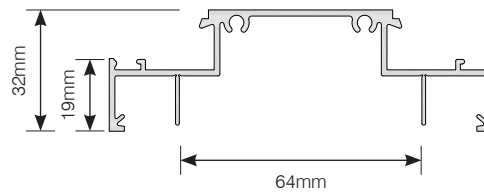
- Primary section of our unrivalled Double Glazed Partition System, incorporating aesthetics and acoustics into one unique system.
- Provides unlimited opportunity for the designer due to the interchangeability with other systems.



Section	Natural Anodised Available Length (m)	Mill Finish Available Length (m)	Connects With
2000D	5.5	5.5	1004, 1005, 1006, 1012, 1017, 2004, 2004D, 2005, 2005D

2002D | Double Glazed Sill Transom

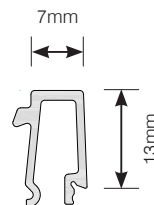
- This section facilitates the glazing of individual double glazed panels.



Section	Natural Anodised Available Length (m)	Mill Finish Available Length (m)	Connects With
2002D	5.5	5.5	1004, 2003, 2004, 2004D, 2005, 2005D

2003 | Sill Bead

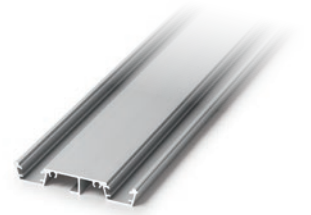
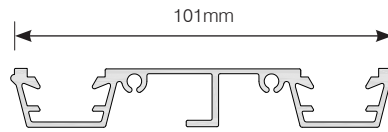
- Clip in bead for ease of glazing.
- Strong sturdy profile.



Section	Natural Anodised Available Length (m)	Mill Finish Available Length (m)	Connects With
2003	5.5	-	2002, 2002D

2004D | Double Glazing Adaptor

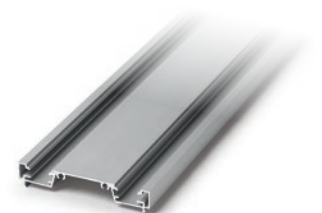
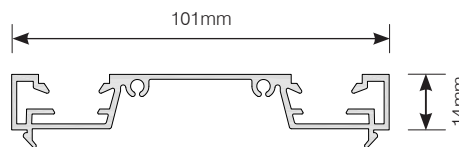
- Provides unparalleled design opportunities where double glazing is required.



Section	Natural Anodised Available Length (m)	Mill Finish Available Length (m)	Connects With
2004D	5.5	5.5	2000D, 2000, 2002D, 1001, 1009, 1010, 1011

2005D | Double Glazing Ceiling Channel Adaptor

- This section provides flexibility of installation and a quick clip in function when used in conjunction with 1011 to create double glazing detail.
- Maintains a consistent 32mm appearance.

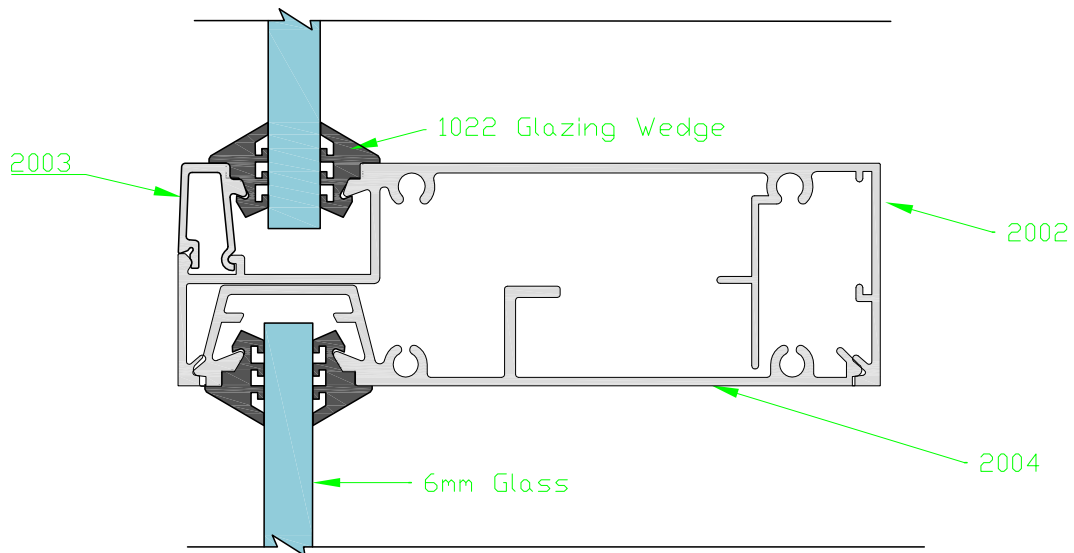


Section	Natural Anodised Available Length (m)	Mill Finish Available Length (m)	Connects With
2005D	5.5	5.5	1000, 1000DP, 1001, 1002, 1002DP, 1010, 1011, 1012

METINNO® 2000D Series

DOUBLE GLAZING SYSTEM

Detail 18 | Horizontal Mullion Double Glazing

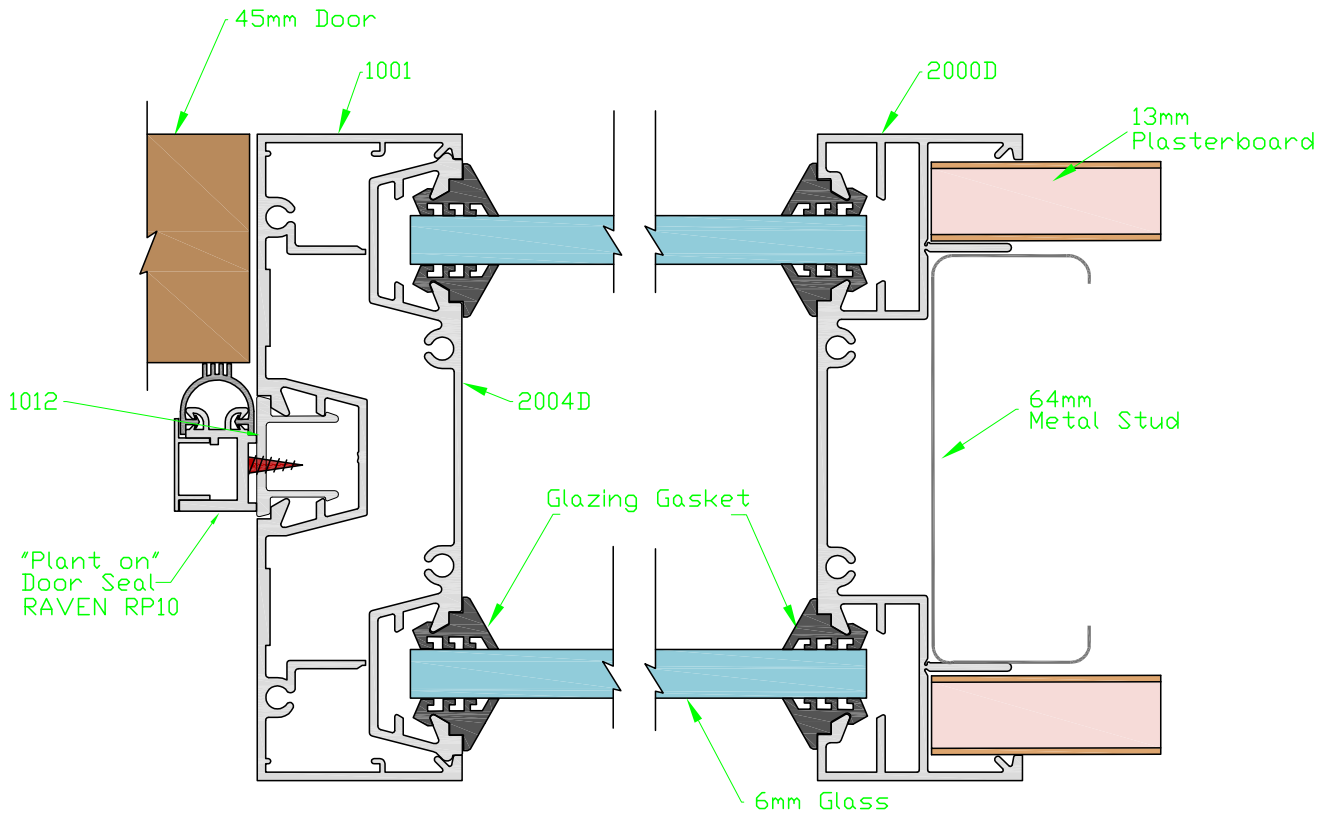


Colour Legends

- Aluminium Partition (face and section)
- Steel Stud
- Plasterboard Profile

ALUMINIUM PARTITIONING CONSTRUCTION DETAILS

Detail 19 | Horizontal Section Double Glazing

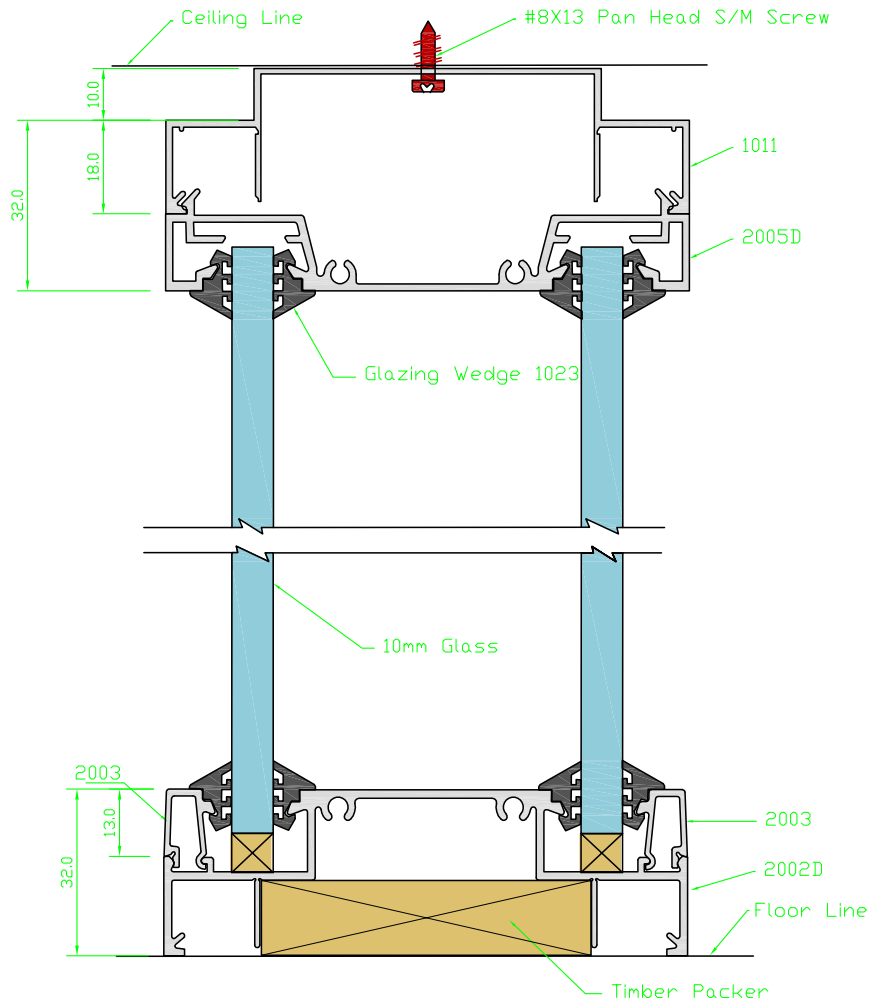


- Glass
- Door
- Glazing Wedge Elevation View
- Glazing Wedge Profile
- Silicone Joint
- Timber Stud


METINNO® 2000D Series

DOUBLE GLAZING SYSTEM

Detail 20 | Double Glazed Cross Section

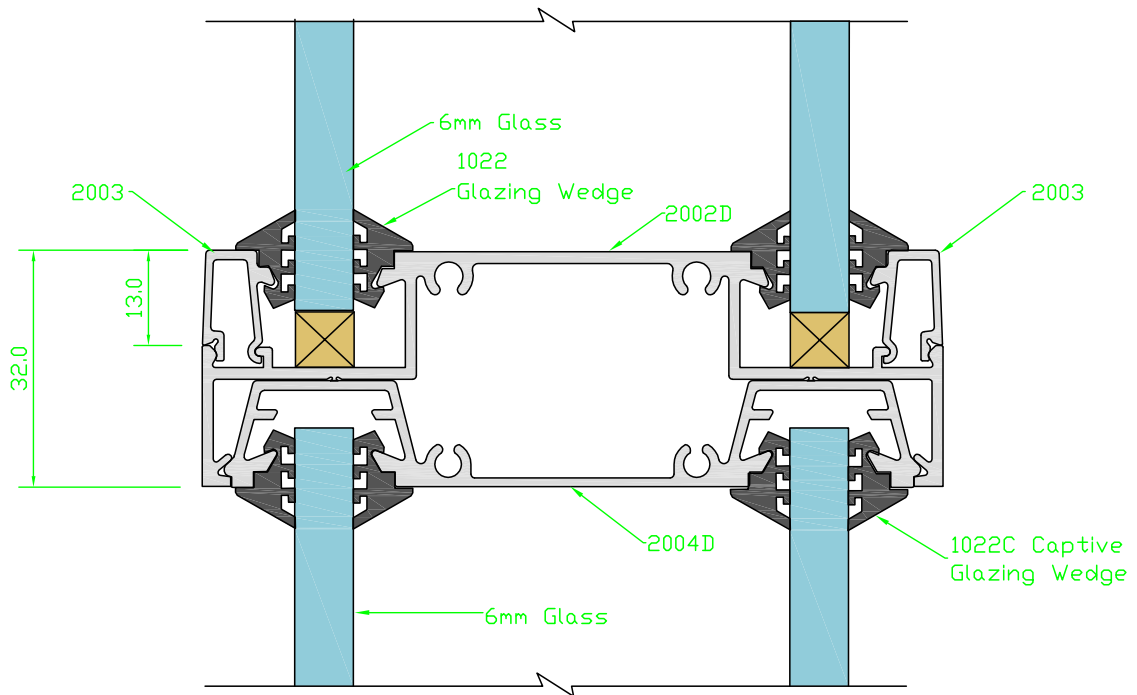


Colour Legends

-  Aluminium Partition (face and section)
-  Steel Stud
-  Plasterboard Profile

ALUMINIUM PARTITIONING CONSTRUCTION DETAILS

Detail 21 | Double Glazed Horizontal Mullion



Glass
 Door
 Glazing Wedge Elevation View
 Glazing Wedge Profile
 Silicone Joint
 Timber Stud



MAKING SPACE USEFUL

METINNO®

5100 Series

Frontline Heavy Duty Glazing System

- Heavy duty 50mm profile with offset glazing
- Designed for high-use areas
- Suitable solution for all internal commercial and domestic applications
- Suits electric striker installation requirements
- Integrates with Metinno 5000 Sliding Door System
- Designed for 64mm steel stud and 13mm plasterboard
- Available in natural anodised finish or powder coat to any colour



METINNO® 5100 Series

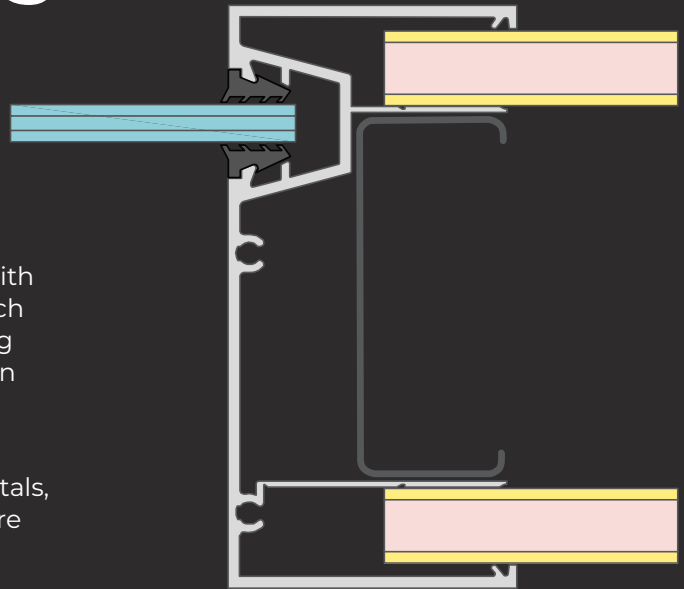
Frontline Heavy Duty Glazing System

A partitioning system achieving strength & security

For a heavy duty alternative in all internal commercial and domestic applications, the Metinno 5100 system with its 50mm profile is the ideal solution. Designed to match the shop-front look, overcome the difficulty of installing standard sections into plasterboard partitions. The main frame's integrated fins prevent the additional costs of "flushing" plaster beads to the back of the door frame.

The Metinno 5100 system is ideal for apartments, hospitals, schools and more, creating a high-security option where there may be multiple tenancies or for high-use areas where longevity is key.

With its wider profile, the main frame section can be used as a receiving stile in the Metinno 5000 sliding door system and suits electric striker installation requirements.



5100 Series

Heavy duty frontline design for high-use areas

The Metinno 5100 frontline heavy duty glazing system is suitable for 64mm steel stud where window frames are associated within plasterboard partitions. Improving efficiency and aesthetics where a heavy-duty application is necessary, this system answers the practical needs of a variety of high-traffic spaces.

With its frontline glazing design, extra space is created on the internal while forming a subtle aluminium border around the glass on the front side.

For more product inspiration and to download CAD and Specification files visit adxarchitectural.com.au.

tradecounter



adxdepot

adxdepot
we've got it

Providing...
what you want,
where you want,
when you want.

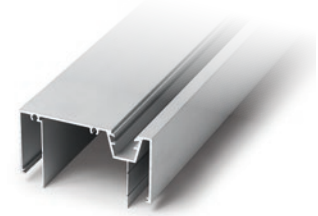
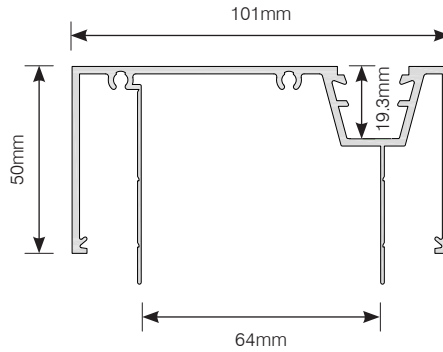


METINNO® 5100 Series

FRONTLINE HEAVY DUTY GLAZING SYSTEM

5101 | Frontline Main Frame

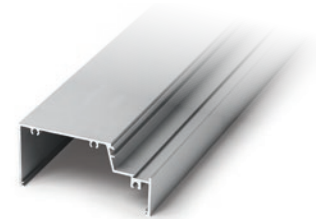
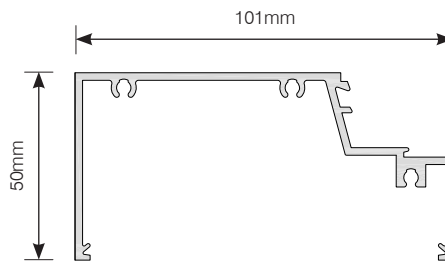
- Heavy duty alternative for all commercial and domestic applications.
- Used where window frames are associated within plasterboard partitions.
- Overcomes the difficulty of installing standard shop-front sections into drywall partitions.
- Can be utilised as a receiving stile in the Metinno 5000 Sliding Door.



Section	Natural Anodised Available Length (m)	Mill Finish Available Length (m)	Connects With
5101	3.1	-	5004, 5204, 1005

5102 | Frontline Sill

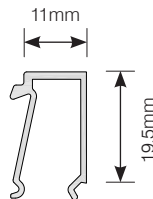
- Designed to work in conjunction with the 5101 Main Frame to create a frontline glazing system.



Section	Natural Anodised Available Length (m)	Mill Finish Available Length (m)	Connects With
5102	2.8	-	5003, 5004

5003 | Sill Bead

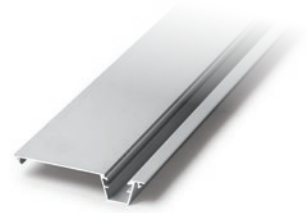
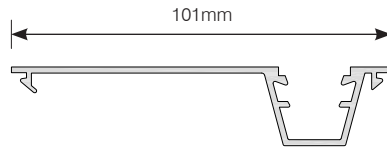
- Clip in bead for ease of glazing.
- Strong sturdy profile.



Section	Natural Anodised Available Length (m)	Mill Finish Available Length (m)	Connects With
5003	2.8	-	5002, 5102

5004 | Frontline Glazing Adaptor

- Designed primarily to clip into the 5000 and 5101 sections to create a versatile glazing system along with the Sliding Door System.
- Can also be clipped into 5102 and 5201 sections.

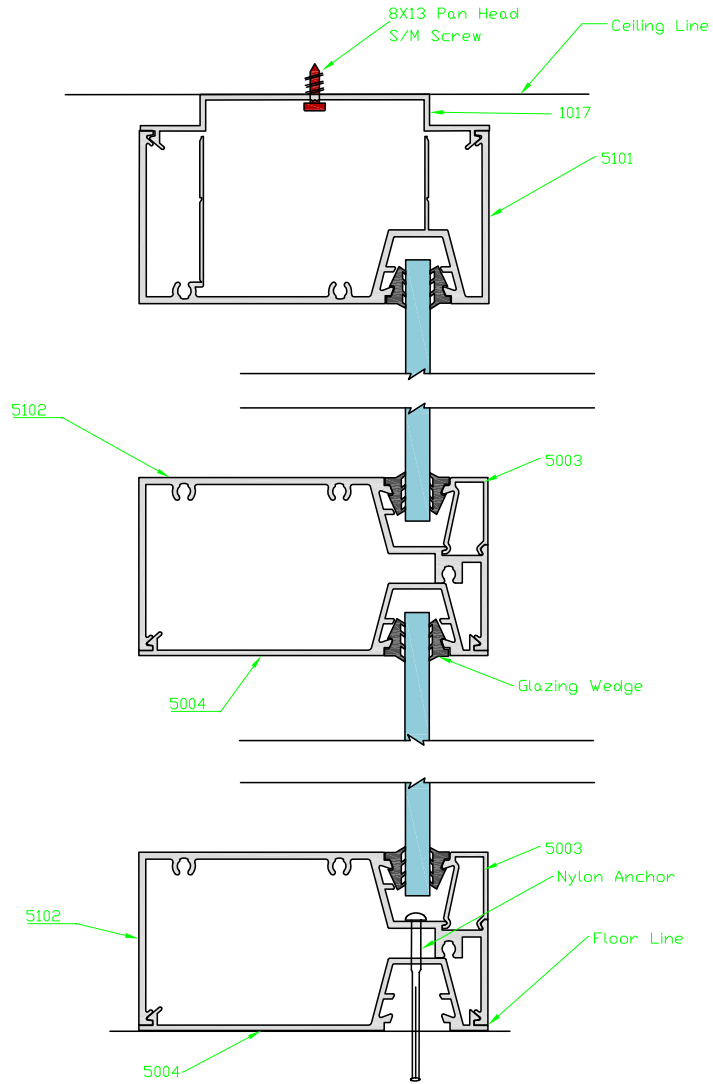


Section	Natural Anodised Available Length (m)	Mill Finish Available Length (m)	Connects With
5004	3.1	-	5000, 5007, 5101, 5102, 5201, 5202


METINNO® 5100 Series

FRONTLINE HEAVY DUTY GLAZING SYSTEM

Detail 22 | Vertical Detail for 5100 Frontline Glazed

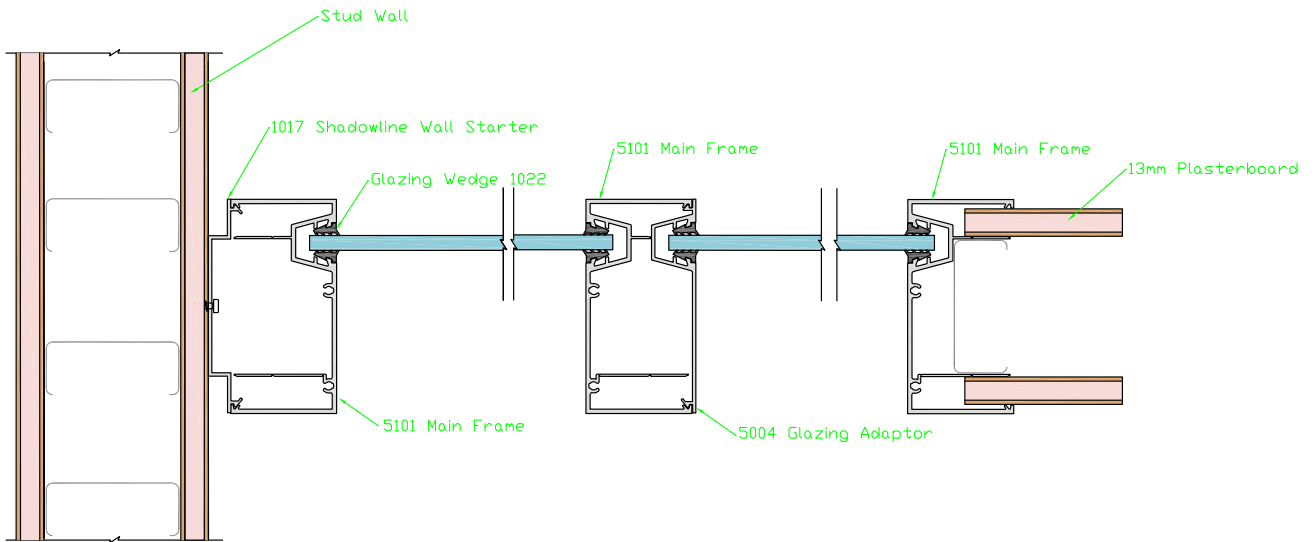


Colour Legends

-  Aluminium Partition (face and section)
-  Steel Stud
-  Plasterboard Profile

ALUMINIUM PARTITIONING CONSTRUCTION DETAILS

Detail 23 | Horizontal Frontline Detail View



- Glass
- Door
- Glazing Wedge Elevation View
- Glazing Wedge Profile
- Silicone Joint
- Timber Stud



MAKING SPACE USEFUL

METINNO[®]

5200 Series

Centreline Heavy Duty Glazing System

- Heavy duty 50mm profile with centre glazing
- Designed for high-use areas
- Suitable solution for all internal commercial and domestic applications
- Suits electric striker installation requirements
- Integrates with Metinno 5000 Sliding Door System
- Designed for 64mm steel stud and 13mm plasterboard



METINNO® 5200 Series

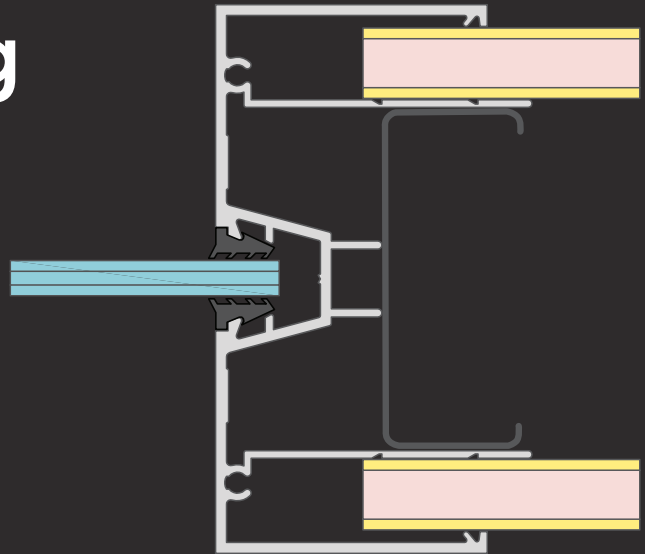
Centreline Heavy Duty Glazing System

A partitioning system achieving strength and security

For a heavy duty alternative in all internal commercial and domestic applications, the Metinno 5200 system with its 50mm profile is the ideal solution. Designed to match the shop-front look, overcome the difficulty of installing standard sections into plasterboard partitions. The main frame's integrated fins prevent the additional costs of "flushing" plaster beads to the back of the door frame.

The Metinno 5200 system is ideal for apartments, hospitals, schools and more, creating a high-security option where there may be multiple tenancies or for high-use areas where longevity is key.

With its wider profile, the main frame section can be used as a receiving stile in the Metinno 5000 sliding door system and suits electric striker installation requirements.



5200 Series

Heavy duty centreline design for high-use areas

The Metinno 5200 centreline heavy duty glazing system is suitable for 64mm steel stud where window frames are constructed within plasterboard partitions. Improving efficiency and aesthetics where a heavy duty application is necessary, this system answers the practical needs of a variety of high-traffic spaces.

With its centreline glazing design, materials are perfectly balanced achieving a high quality and aesthetically pleasing finish.

For more product inspiration and to download CAD and Specification files visit adxarchitectural.com.au.

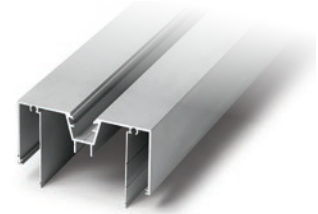
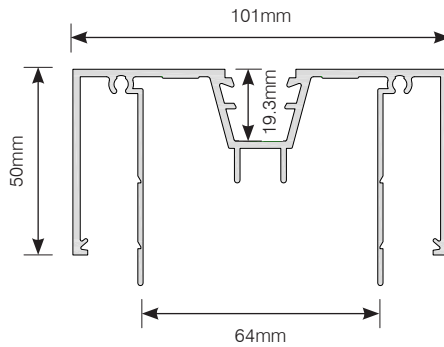


METINNO® 5200 Series

CENTRELINE HEAVY DUTY GLAZING SYSTEM

5201 | Heavy Duty Main Frame

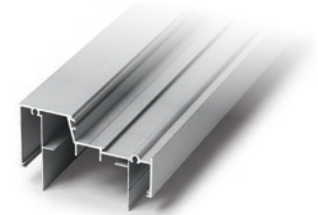
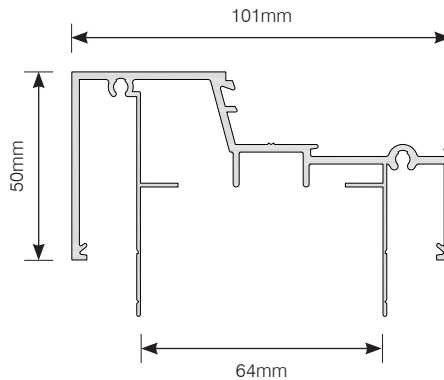
- Heavy duty alternative for all commercial and domestic applications.
- Used where door/window frames are associated within plasterboard partitions.
- Overcomes the difficulty of installing standard shop-front sections into drywall partitions.



Section	Natural Anodised Available Length (m)	Mill Finish Available Length (m)	Connects With
5201	5.5	-	1006, 5004, 5204

5202 | Heavy Duty Sill

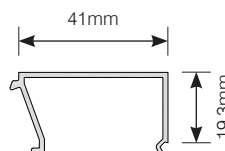
- Designed to be used along with 5201 Heavy Duty Door Frame system to provide a glazing alternative.



Section	Natural Anodised Available Length (m)	Mill Finish Available Length (m)	Connects With
5202	5.5	-	1003DP, 1005, 1006, 5204

1003DP | Deep Pocket Sill Bead

- Strong sturdy profile.
- Clip in bead for ease of glazing.

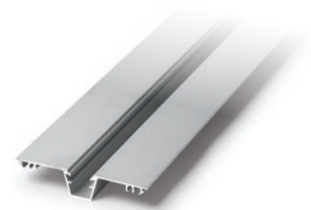
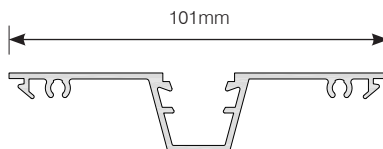


Section	Natural Anodised Available Length (m)	Mill Finish Available Length (m)	Connects With
1003DP	2.8, 3.6, 5.5	2.8, 3.6, 5.5	1002DP, 5202



5204 | Heavy Duty Glazing Adaptor

- Centrally glazed heavy duty glazing adaptor.

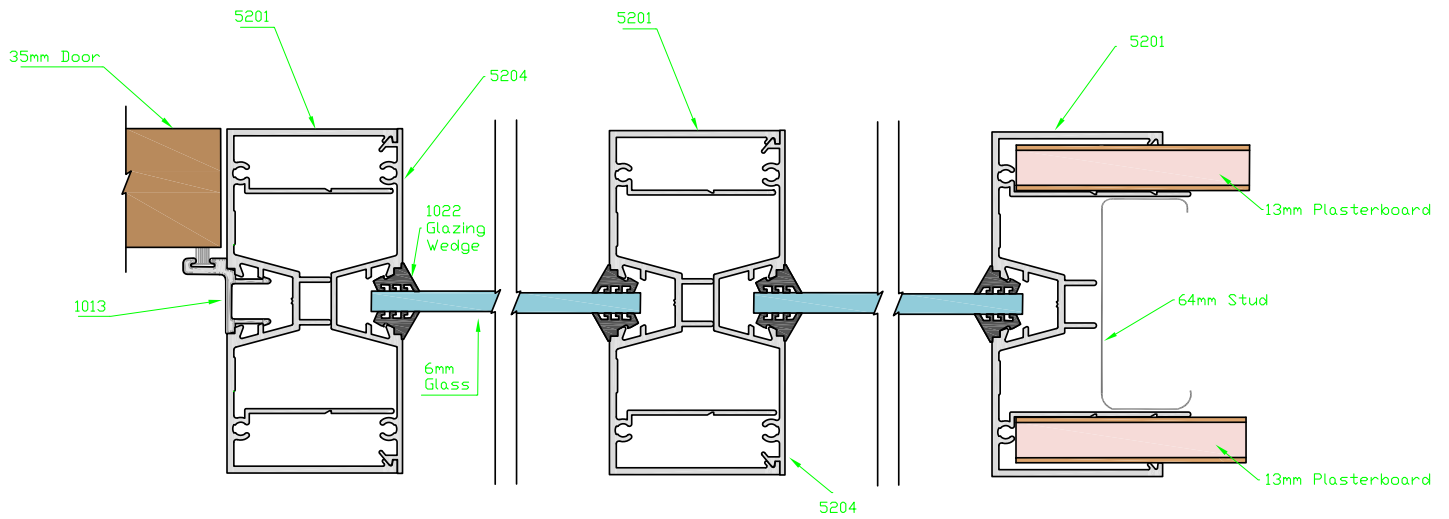


Section	Natural Anodised Available Length (m)	Mill Finish Available Length (m)	Connects With
5204	3.1, 5.5	-	5000, 5007, 5101, 5102, 5201, 5202

METINNO® 5200 Series

CENTRELINE HEAVY DUTY GLAZING SYSTEM

Detail 24 | Horizontal Section Centreline Glazing



Colour Legends

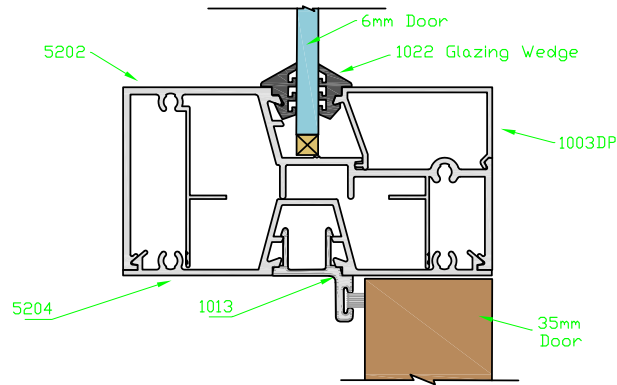
Aluminium Partition (face and section)

Steel Stud

Plasterboard Profile

ALUMINIUM PARTITIONING CONSTRUCTION DETAILS

Detail 25 | Horizontal Transom Above Door





MAKING SPACE USEFUL

METINNO[®]

7000 Series

Offset Glazing System

- Consistent 32mm profile
- Used in conjunction with the Metinno 1000 Series
- Integrates with 76mm steel stud & 13mm plasterboard
- Available in natural anodised or mill finish for powder coating to any colour



METINNO® 7000 Series

Offset Glazing System

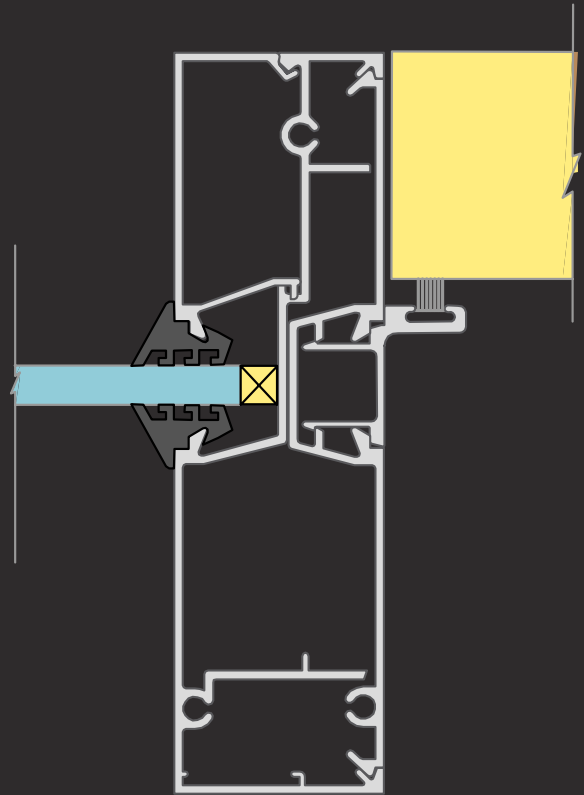
Slimline & stylish offset glazed partitioning

When designing a space that has multiple rooms, particularly when they're in a continual line yet all have different functions and properties, the Metinno 7000 system is a superior solution. Perhaps two rooms next to each other both require different stud sizes? The challenge to allow for this while keeping glazing in-line for a high-quality finish is simple due to the design of this section that allows for three stud sizes.

Typical applications are:

- 76mm stud and 2 layers of 13mm plasterboard
- 64mm stud and 3 layers of 13mm plasterboard
- 51mm stud and 4 layers of 13mm plasterboard

For the perfect combination of functionality and consistent style, the Metinno 7000 system is the ideal aluminium partitioning solution.



7000 Series

Create consistent lines with a slim profile

The Metinno 7000 system is designed for 76mm steel stud with a slightly offset glazing position. This allows the components to work alongside other Metinno Aluminium Partitioning systems while ensuring the continuation of glazing position throughout the space – particularly in the case of multiple offices being situated in a continual line.

Similar to the Metinno 3000 system, the Metinno 7000 system can easily integrate with varying sized steel studs and 13mm plasterboard.

For more product inspiration and to download CAD and Specification files visit adxarchitectural.com.au.

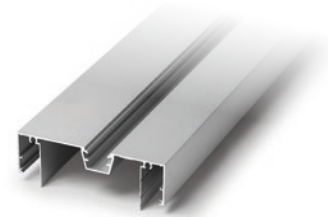
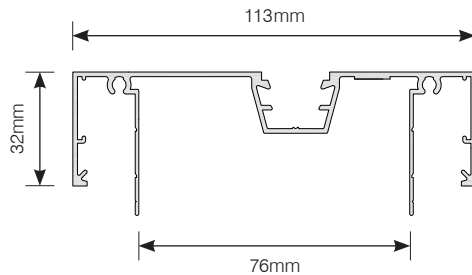


METINNO® 7000 Series

OFFSET GLAZING SYSTEM

7001 | Main Frame

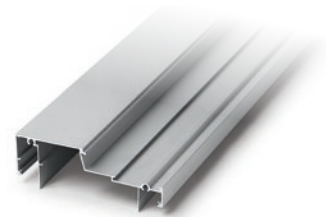
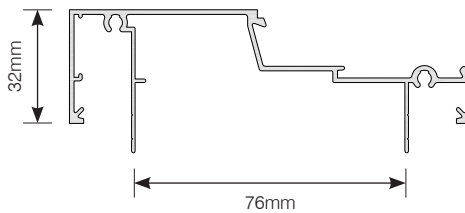
- Designed to be used in conjunction with 76mm steel stud and 13mm plasterboard.
- Clipped into 7004 section it provides a mullion capable of being glazed on both sides with a slimline appearance of only 32mm.



Section	Natural Anodised Available Length (m)	Mill Finish Available Length (m)	Connects With
7001	5.5	-	1012, 1013, 1014, 1015, 7004

7002 | Sill Transom

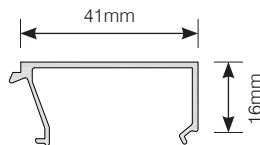
- This unique sill section will accept the 7004 Glazing Adaptor forming a transom section whilst maintaining the constant slimline appearance of only 32mm.
- The extended fins on the Sill section facilitate the ease of installation of the section into a 76mm steel stud wall.
- The 1003 Sill Bead clips into this section forming an integral glazing section.



Section	Natural Anodised Available Length (m)	Mill Finish Available Length (m)	Connects With
7002	5.5	-	1003, 7004

1003 | Sill Bead

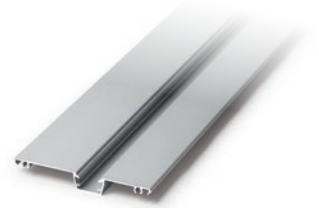
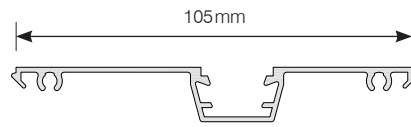
- Clip in bead for ease of glazing.
- Strong sturdy profile.



Section	Natural Anodised Available Length (m)	Mill Finish Available Length (m)	Connects With
1003	3.6, 5.5	5.5	1002, 3002, 7002

7004 | Glazing Adaptor

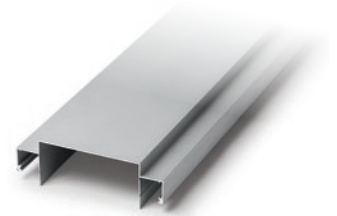
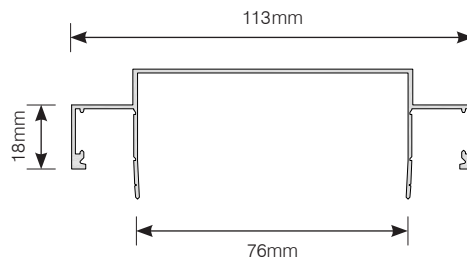
- Designed primarily to clip into the 7001 and 7002 sections to create a versatile Offset Glazing System.



Section	Natural Anodised Available Length (m)	Mill Finish Available Length (m)	Connects With
7004	5.5	-	1012, 1013, 1014, 1015, 7001, 7002, 7011

7011 | Shadowline Ceiling Channel

- Provides a consistent and economical shadowline finish to the top of 76mm stud partition walls.
- Commonly used in acoustic walling and load bearing steel stud partitions.

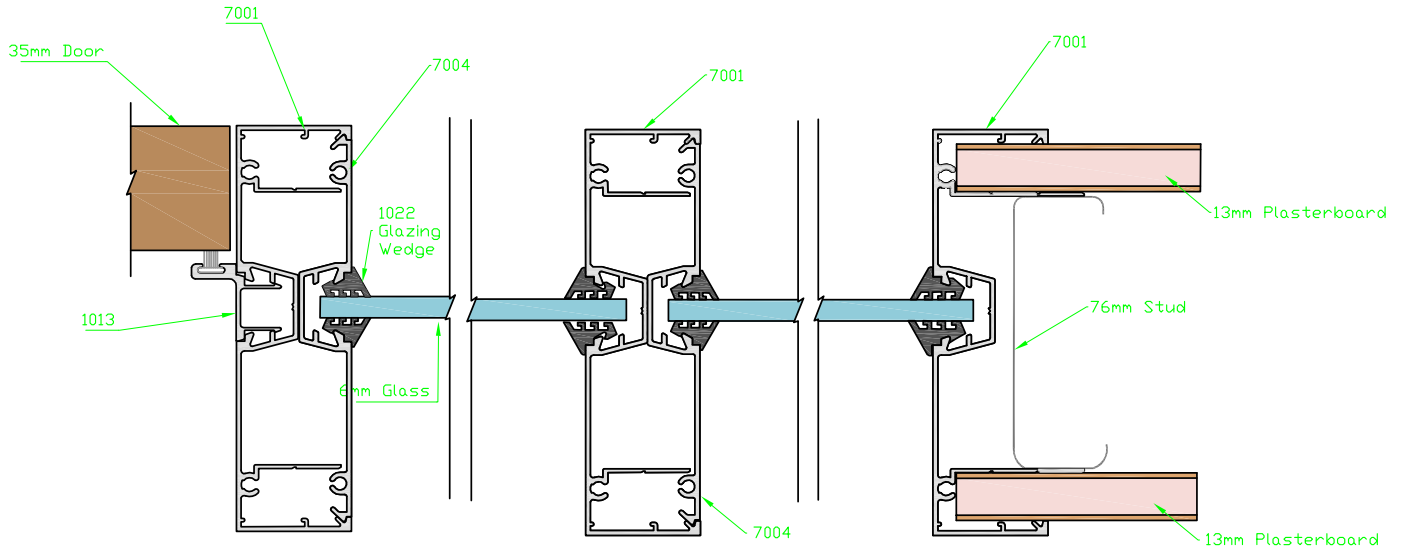


Section	Natural Anodised Available Length (m)	Mill Finish Available Length (m)	Connects With
7011	5.5	-	7004

METINNO® 7000 Series

OFFSET GLAZING SYSTEM

Detail 26 | Horizontal Section Offset Glazing

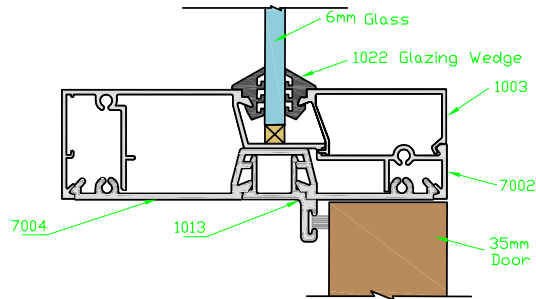


Colour Legends

- Aluminium Partition (face and section)
- Steel Stud
- Plasterboard Profile

ALUMINIUM PARTITIONING CONSTRUCTION DETAILS

Detail 27 | Horizontal Transom Above Door





MAKING SPACE USEFUL

METINNO®

3000 Series

Offset Glazing System

- Integrate with 64mm, 76mm and 92mm stud and 13mm plasterboard
- Allows for integration with high level acoustic walls without compromising style
- Pair with Metinno 1000, 2000, 2000D and 5000 systems for unlimited options
- Consistent 32mm profile with offset glazing
- Works with 92mm cavity allowing support columns to be contained neatly within the walls
- Available in natural anodised or mill finish for powder coating to any colour



METINNO® 3000 Series

Offset Glazing System

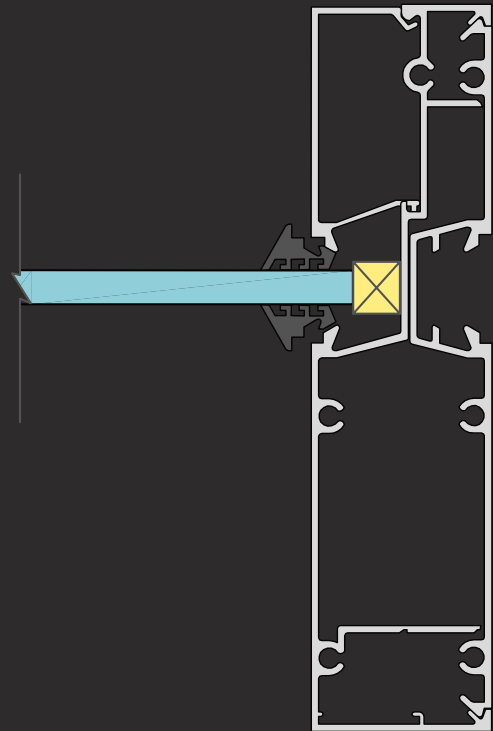
Consistent elegance with offset glazing

When looking for a system that integrates high level acoustic walls into office partitioning without compromising style, the Metinno 3000 system is the superior solution. With its ability to maintain a consistent 32mm profile, the Metinno 3000 system can be applied to any application where a 64mm, 76mm or 92mm stud is used.

Typical applications are:

- 92mm stud and 2 layers of 13mm plasterboard
- 76mm stud and 3 layers of 13mm plasterboard
- 64mm stud and 4 layers of 13mm plasterboard

Like all Metinno Aluminium Partitioning Systems, all sections are designed to allow selected sections to snap and lock together for simple assembly for the required finish. The Metinno 3000 system is completely interchangeable with the 1000, 2000, 2000D and 5000 systems.



3000 Series

Accentuate windows with a deep offset frame

The Metinno 3000 system integrates with 92mm steel studs whilst maintaining a quality profile throughout.

With Metinno Aluminium sections designed for fast, clip-together assembly, individual components fit together to achieve a desired look or function during construction e.g. the 3001 Main Frame and 3004 Glazing Adaptor forms a mullion.

For more product inspiration and to download CAD and Specification files visit adxarchitectural.com.au.

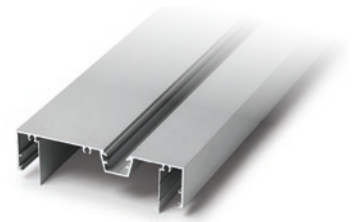
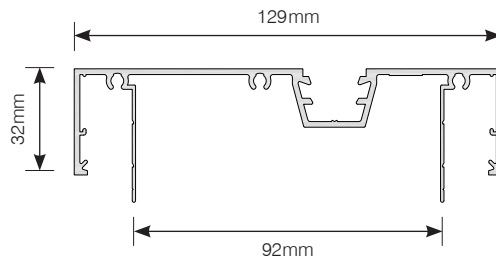


METINNO® 3000 Series

OFFSET GLAZING SYSTEM

3001 | Main Frame

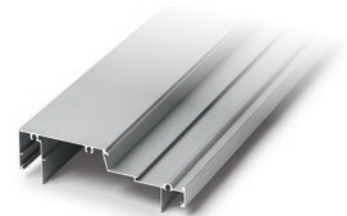
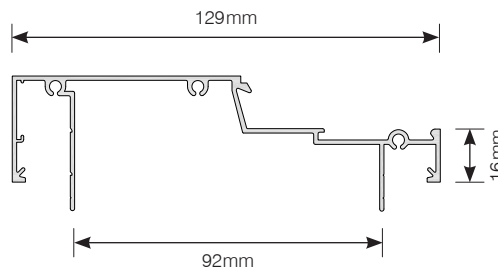
- Designed to be used in conjunction with 92mm steel stud and 13mm plasterboard.
- With the 3004 section it provides a mullion capable of being glazed on both sides with a slimline appearance of only 32mm.



Section	Natural Anodised Available Length (m)	Mill Finish Available Length (m)	Connects With
3001	5.5	5.5	3004, 1012, 1013, 1014, 1015, 3005

3002 | Sill Transom

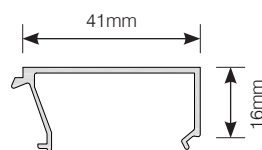
- This unique sill section connects with the 3004 Glazing Adaptor forming a transom section whilst maintaining the constant slimline appearance of only 32mm.
- The extended fins on the Sill facilitate the ease of installation of the section into a steel stud wall.
- The 1003 Sill Bead clips into this section to form an integral glazing section.



Section	Natural Anodised Available Length (m)	Mill Finish Available Length (m)	Connects With
3002	5.5	5.5	1003, 3004, 3005

1003 | Sill Bead

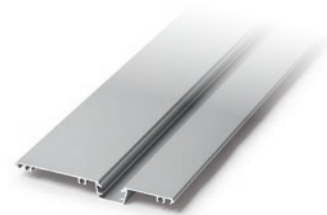
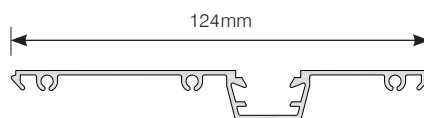
- Strong sturdy profile.
- Clip in bead for ease of glazing.



Section	Natural Anodised Available Length (m)	Mill Finish Available Length (m)	Connects With
1003	3.6, 5.5	5.5	1002, 3002, 7002

3004 | Glazing Adaptor

- Clips into the Main Frame to form mullion.

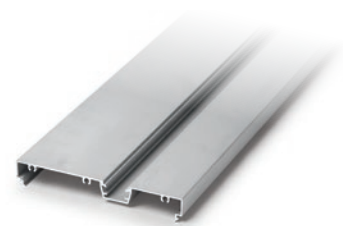
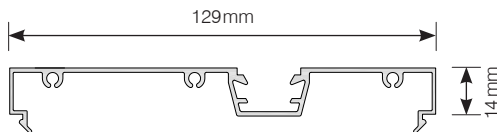


Section	Natural Anodised Available Length (m)	Mill Finish Available Length (m)	Connects With
3004	5.5	5.5	1012, 3001, 3002

ALUMINIUM PARTITIONING SYSTEMS

3005 | Ceiling Channel Adaptor

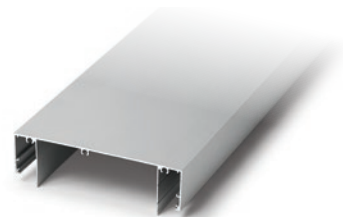
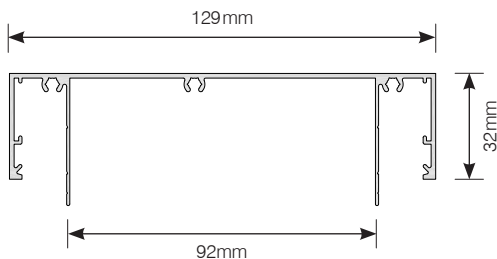
- This section provides flexibility of installation and a quick clip in function when used in conjunction with 3011.
- Maintains a consistent 32mm appearance.



Section	Natural Anodised Available Length (m)	Mill Finish Available Length (m)	Connects With
3005	5.5	-	1012, 3001, 3002, 3009, 3011

3009 | Plain Frame

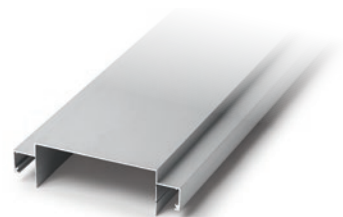
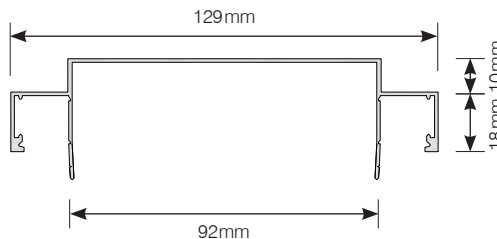
- Designed for sliding door openings, end caps of partitions, and/or door frames where acoustic seals are mounted and as a ceiling channel.



Section	Natural Anodised Available Length (m)	Mill Finish Available Length (m)	Connects With
3009	5.5	-	3004, 3005

3011 | Shadowline Ceiling Channel

- Provides an attractive, consistent shadowline to the top of 92mm stud partitions.
- Used in conjunction with 3005 Ceiling Channel Adaptor it can be installed without interruption over the top of all plasterboard partitions, full height doorways and glazing.

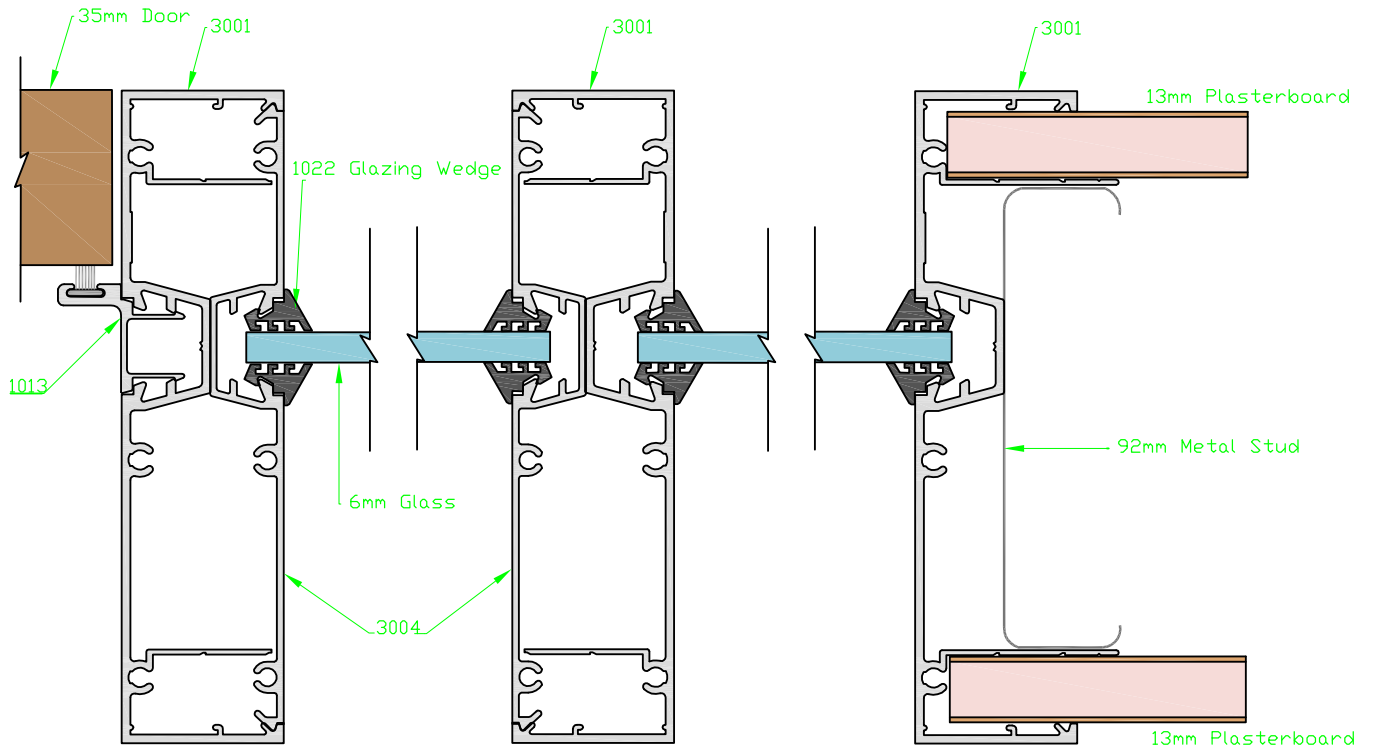


Section	Natural Anodised Available Length (m)	Mill Finish Available Length (m)	Connects With
3011	5.5	5.5	3004, 3005

METINNO® 3000 Series

OFFSET GLAZING SYSTEM

Detail 28 | Horizontal Section Offset Glazing

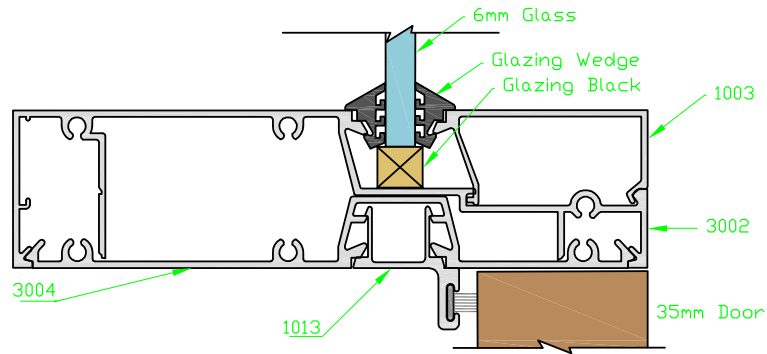


Colour Legends

- Aluminium Partition (face and section)
- Steel Stud
- Plasterboard Profile

ALUMINIUM PARTITIONING CONSTRUCTION DETAILS

Detail 29 | Vertical Section Offset Glazing



- Glass
- Door
- Glazing Wedge Elevation View
- Glazing Wedge Profile
- Silicone Joint
- Timber Stud



MAKING SPACE USEFUL

METINNO®

9000 Series

Offset Glazing System

- Consistent 45mm side profile
- Integrate with 92mm and 64mm steel stud and 13mm plasterboard
- Pair with the Metinno 1000, 9000C and 9000D systems for unlimited options
- Reduce noise transfer between offices
- Practical, cost efficient and aesthetically pleasing
- Available in natural anodised or mill finish for powder coating to any colour



METINNO® 9000 Series

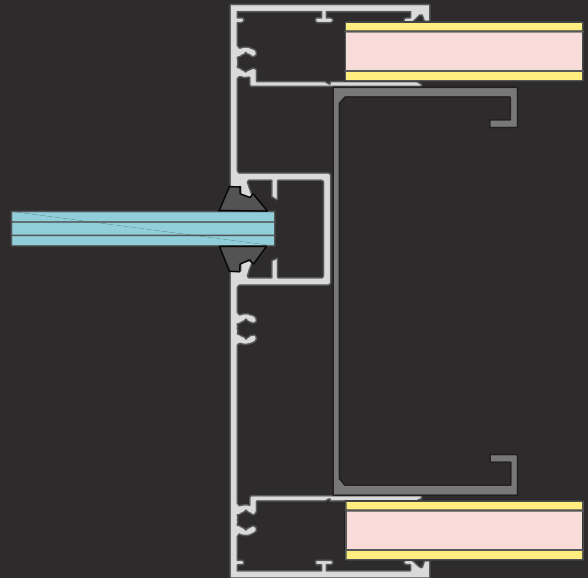
Offset Glazing System

Solid & stylish offset glazed partitioning

The Metinno 9000 Series system will create a distinguished office environment when utilised. The feature of this system offers frontline glazing office panels while maintaining the 45mm side profile design, seamlessly matching external glazing and creating a fluent finish throughout the project.

The Metinno 9000 system sections can be used with 92mm steel stud and 90mm timber stud, as well as 64mm steel stud when pairing with two layers of 13mm plasterboard each side.

There are unlimited designs that can be created when integrating the Metinno 9000 system with the Metinno 1000, 9000C and 9000D systems. Achieve a visually appealing finish with offset panels that can be constructed while still maintaining a consistent glazing detail to one side.



9000 Series

Create strong, consistent lines with offset glazing

Achieve window designs of any size with a sill section that fits within a plasterboard partition or stands alone to create floor-to-ceiling glazed partitions.

The Metinno 9000 system components are designed to allow easy installation while ensuring strength is not compromised at any point along each section once constructed.

For more product inspiration and to download CAD and Specification files visit adxarchitectural.com.au.

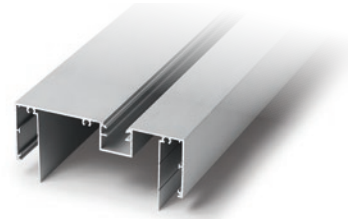
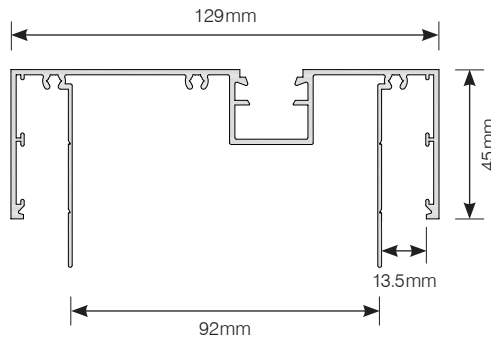


METINNO® 9000 Series

OFFSET GLAZING SYSTEM

9001 | Main Frame

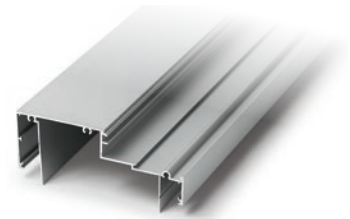
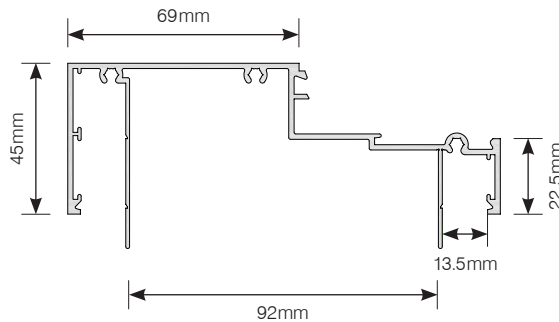
- Designed to be used in conjunction with 92mm steel stud and 13mm plasterboard.
- With the 9004 section it provides a mullion capable of being glazed on both sides.



Section	Natural Anodised Available Length (m)	Mill Finish Available Length (m)	Connects With
9001	5.5	5.5	1012, 1013, 1014, 1015, 9004, 9004C, 9004D

9002 | Sill Transom

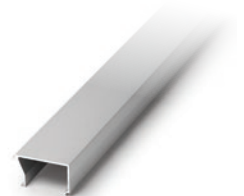
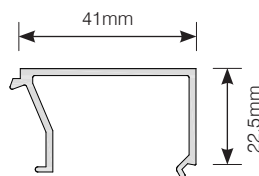
- Used in half height windows as a sill that has plasterboard underneath it as it has the fins that the plasterboard is fixed to.
- Used in full height windows as a sill that sits on the ground as the fins can be snapped off.
- Can also be used as a transom when the 9004 is snapped in to achieve glass above and below.



Section	Natural Anodised Available Length (m)	Mill Finish Available Length (m)	Connects With
9002	5.5	5.5	9003, 9004, 9004C, 9004D

9003 | Sill Bead

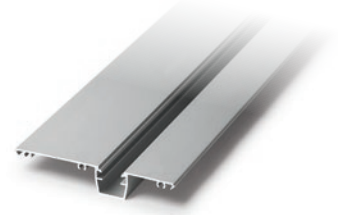
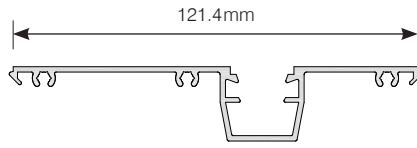
- Used in conjunction with section 9002.
- Clip in bead for ease of glazing.
- Strong sturdy profile.



Section	Natural Anodised Available Length (m)	Mill Finish Available Length (m)	Connects With
9003	5.5	5.5	9002

9004 | Glazing Adaptor

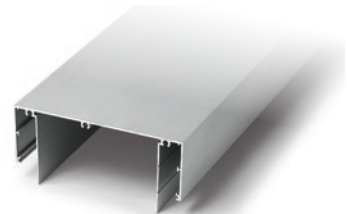
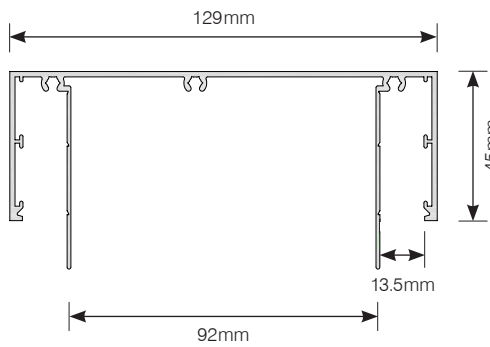
- Used as a glazing adaptor for beside doorways, underneath ceiling channels, and transoms.



Section	Natural Anodised Available Length (m)	Mill Finish Available Length (m)	Connects With
9004	5.5	5.5	9001, 9001C, 9001D, 9002, 9009, 9002D

9009 | Plain Frame

- Can also be used as a plain door frame where acoustic or smoke seals are required.
- Provides the same consistent 45mm detail around the top of partitions and down the wall to match the rest of the suite.
- Fixed to the ceiling or the wall and takes the 92mm stud and 13mm Plasterboard each side.
- Fins can be snapped off to take the 9004 Glazing Adaptor.

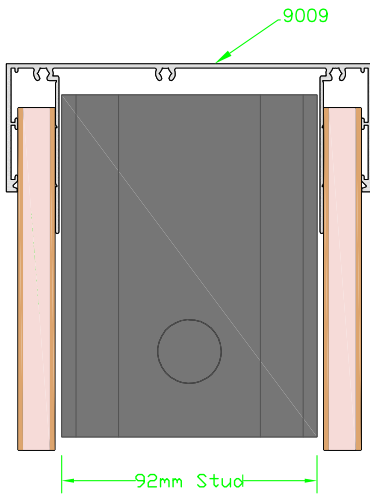


Section	Natural Anodised Available Length (m)	Mill Finish Available Length (m)	Connects With
9009	5.5	5.5	9004, 9004C, 9004D

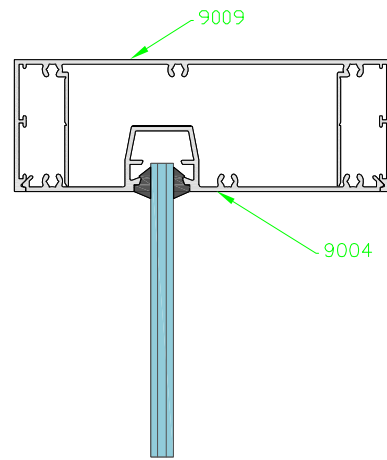
METINNO® 9000 Series

OFFSET GLAZING SYSTEM

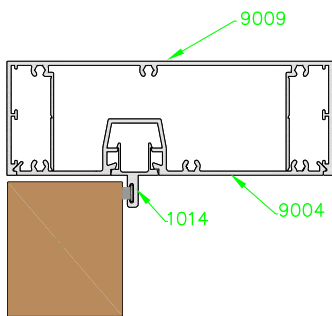
Detail 30 | Offset Glazing Details



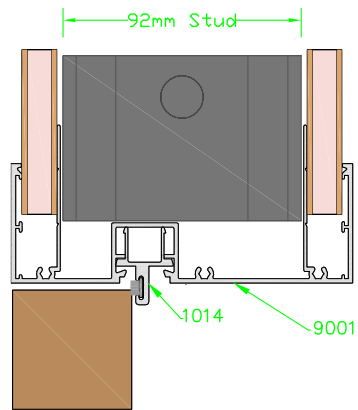
Head detail



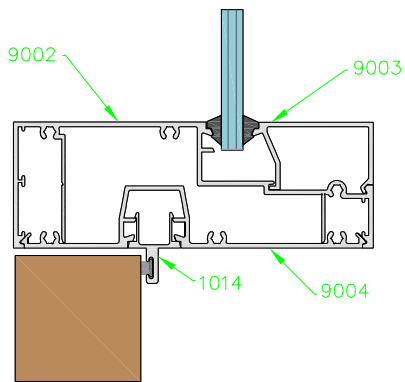
Head detail



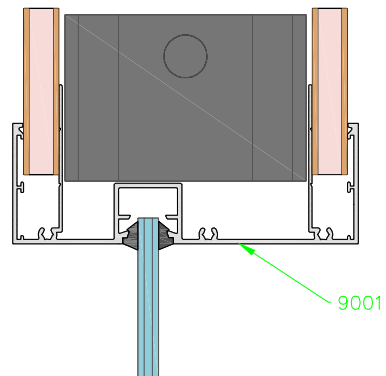
Head detail



Door head to wall detail



Transom above door



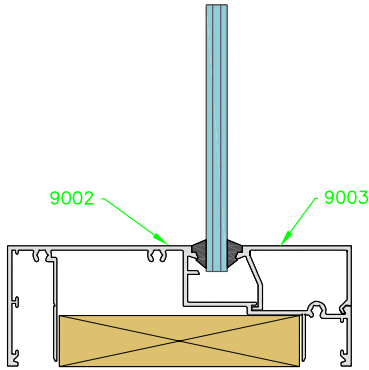
Head to wall detail

Colour Legends

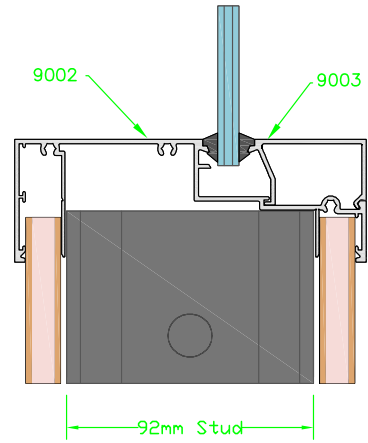
- Aluminium Partition (face and section)
- Steel Stud
- Plasterboard Profile

ALUMINIUM PARTITIONING CONSTRUCTION DETAILS

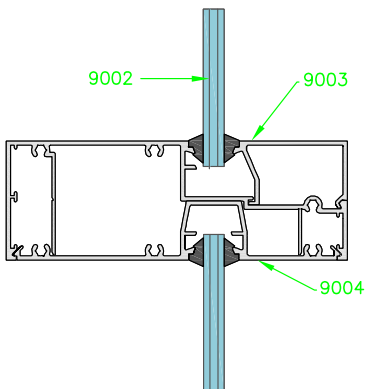
Detail 30 | Offset Glazing Details Continued



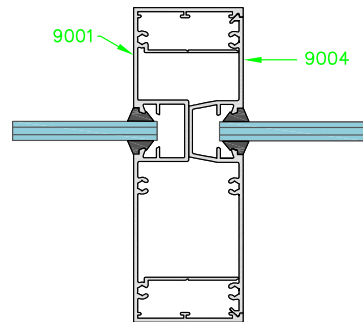
Sill to floor detail



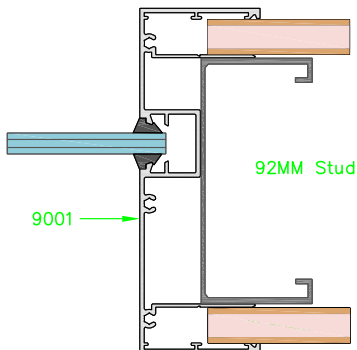
Sill to wall detail



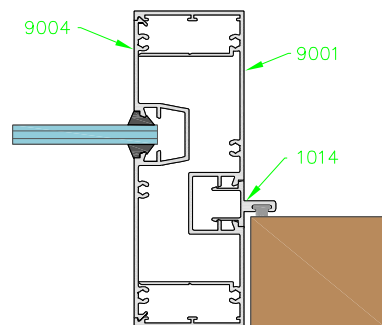
Mullion detail



Mullion detail



Partition detail



Door opening

Glass
 Door
 Glazing Wedge Elevation View
 Glazing Wedge Profile
 Silicone Joint
 Timber Stud



MAKING SPACE USEFUL

METINNO[®]

9000C Series

Centreline Glazing System

- Consistent 45mm side profile
- Integrate with 92mm steel stud and 13mm plasterboard
- Pair with the Metinno 1000, 9000 and 9000D systems for unlimited options
- Reduce noise transfer between offices
- Practical, cost efficient and aesthetically pleasing
- Available in natural anodised or mill finish for powder coating to any colour



METINNO® 9000C Series

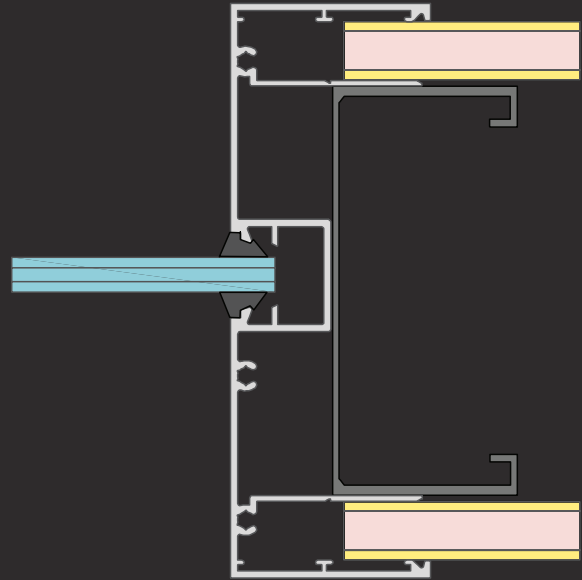
Centreline Glazing System

Solid & stylish centreline glazed partitioning

The Metinno 9000C Series system will create a distinguished office environment when utilised. The feature of this system offers centreline glazing office panels while maintaining the 45mm side profile design, seamlessly matching external glazing creating a fluent finish throughout the project.

The Metinno 9000C system sections can be used with 92mm steel stud and 90mm timber stud, as well as 64mm steel stud when used with two layers of 13mm plasterboard each side.

There are unlimited designs that can be created when integrating the Metinno 9000C system with the Metinno 1000, 9000 and 9000D systems. Achieve a visually appealing finish with offset panels that can be constructed while still maintaining a consistent glazing detail to both sides.



9000C Series

Maintain visual balance with centre glazing and a distinct 45mm profile

Achieve window designs of any size with a sill section that fits within a plasterboard partition or stands alone to create floor-to-ceiling glazed partitions.

The Metinno 9000C system components are designed to allow easy installation while ensuring strength is not compromised at any point along each section once constructed.

For more product inspiration and to download CAD and Specification files visit adxarchitectural.com.au.

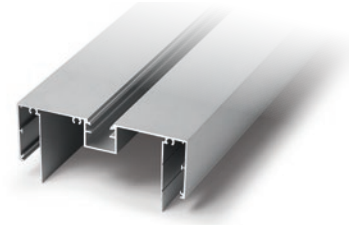
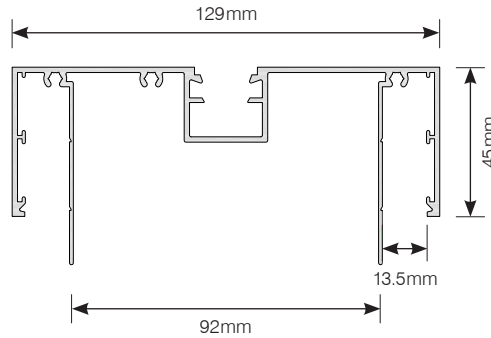


METINNO® 9000C Series

CENTRELINE GLAZING SYSTEM

9001C | Centre Glazed Main Frame

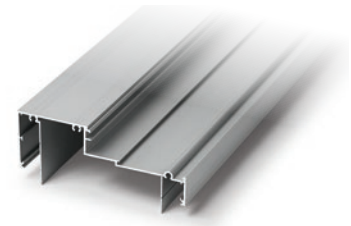
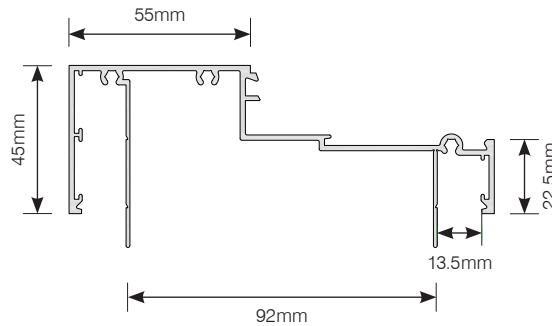
- Designed to be used in conjunction with 92mm steel stud and 13mm plasterboard.
- With the 9004C section it provides a mullion capable of being glazed on both sides.



Section	Natural Anodised Available Length (m)	Mill Finish Available Length (m)	Connects With
9001C	5.5	-	1012, 113, 1014, 1015, 9004, 9004C, 9004D

9002C | Centre Glazed Sill Transom

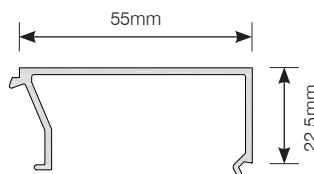
- Used in half height windows as a sill that has plasterboard underneath it as it has the fins that the plasterboard is fixed to.
- Used in full height windows as a sill that sits on the ground as the fins can be snapped off.
- Can also be used as a transom when the glazing adaptor is snapped in to achieve glass above and below.



Section	Natural Anodised Available Length (m)	Mill Finish Available Length (m)	Connects With
9002C	5.5	-	9003C, 9004, 9004C, 9004D

9003C | Centre Glazed Sill Bead

- Used in conjunction with 9002C.
- Clip in bead for ease of glazing.
- Strong sturdy profile.

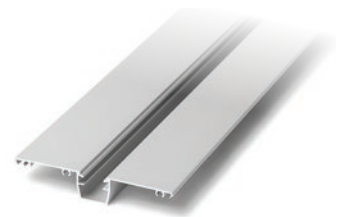
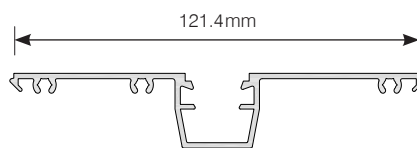


Section	Natural Anodised Available Length (m)	Mill Finish Available Length (m)	Connects With
9003C	5.5	-	9002C



9004C | Centre Glazing Adaptor

- Used as a glazing adaptor for beside doorways, underneath ceiling channels, and transoms.

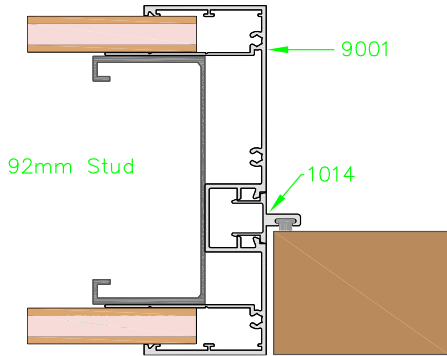


Section	Natural Anodised Available Length (m)	Mill Finish Available Length (m)	Connects With
9004C	5.5	-	9001, 9001C, 9001D, 9002, 9002C, 9002D, 9009

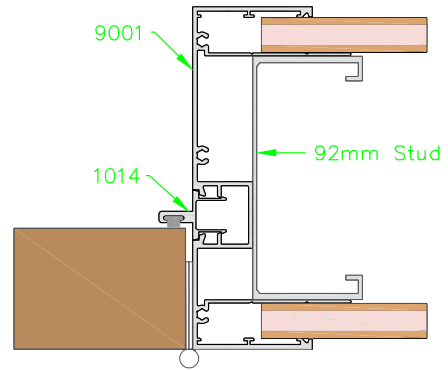
METINNO® 9000C Series

CENTRELINE GLAZING SYSTEM

Detail 30A | Door Section Options

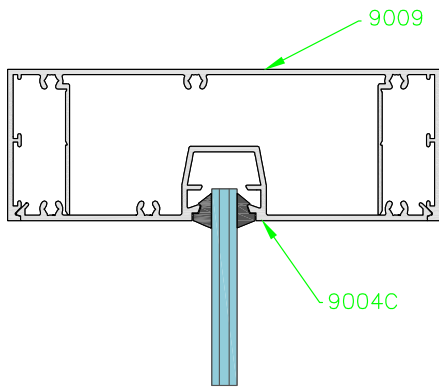


Door jamb details to partition

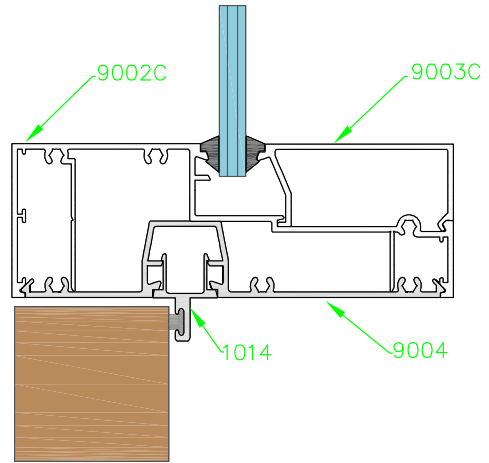


Door jamb details to partition

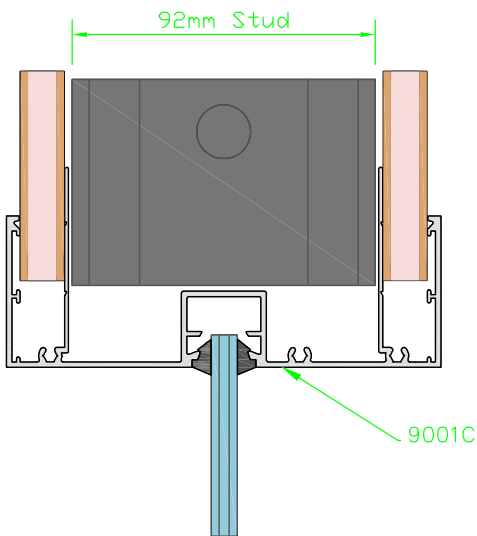
Detail 31 | Centreline Glazing Details



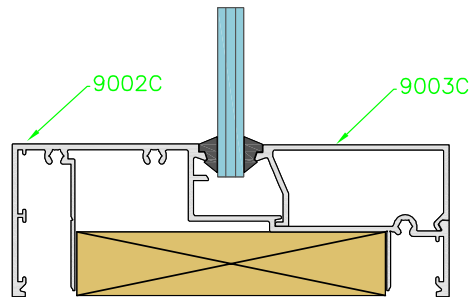
Head detail



Transom above door



Head to wall



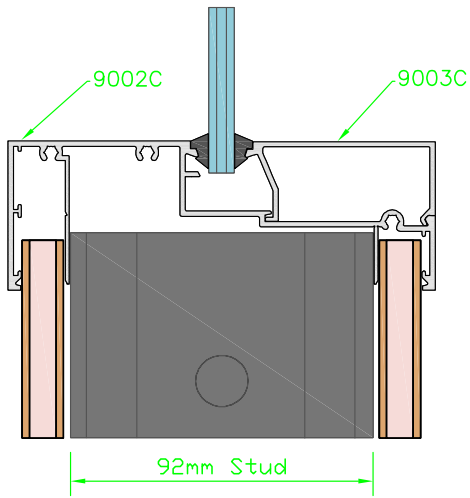
Sill to floor detail

Colour Legends

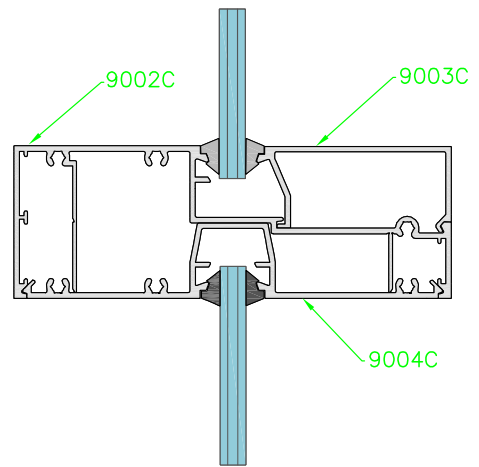
- Aluminium Partition (face and section)
- Steel Stud
- Plasterboard Profile

ALUMINIUM PARTITIONING CONSTRUCTION DETAILS

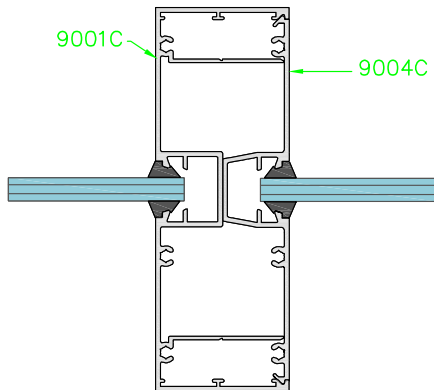
Detail 31 | Centreline Glazing Details Continued



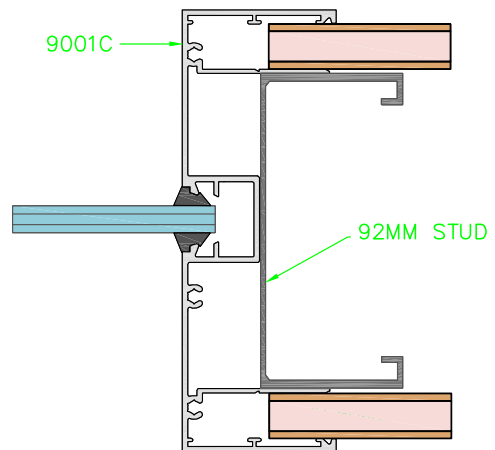
Sill to wall detail



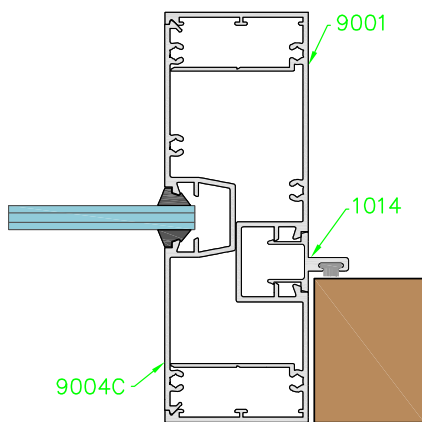
Transom detail



Mullion detail



Partition detail



Door opening

■ Glass
 ■ Door
 ■ Glazing Wedge Elevation View
 ■ Glazing Wedge Profile
 ■ Silicone Joint
 ■ Timber Stud



MAKING SPACE USEFUL

METINNO®

9000D Series

Double Glazing System

- Reduce noise transfer between offices
- Consistent 45mm side profile with Double Glazing design
- Fully tested double-glazed acoustic system with RW46 rating
- Practical, cost efficient and aesthetically pleasing
- Pair with the Metinno 1000, 9000 and 9000C systems for unlimited options
- Available in natural anodised or mill finish for powder coating to any colour



METINNO® 9000D Series

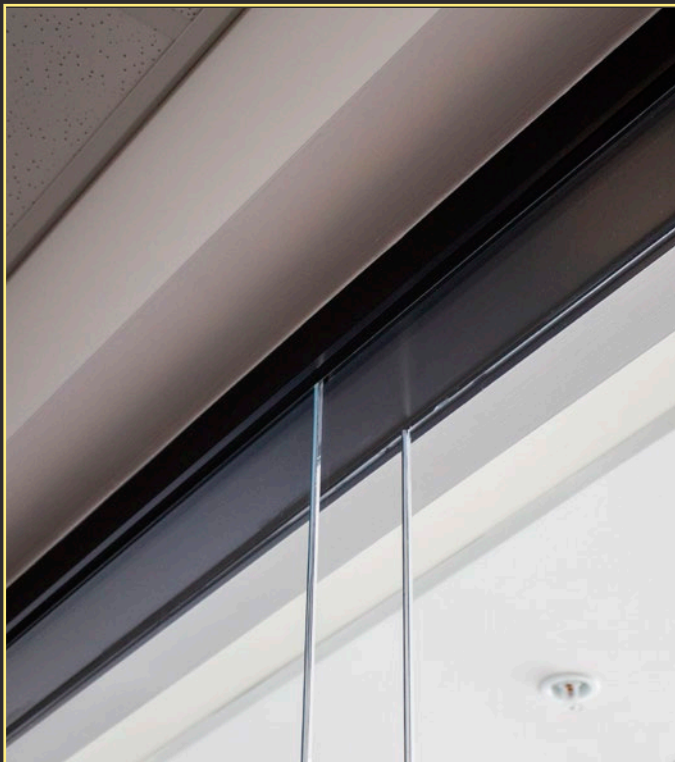
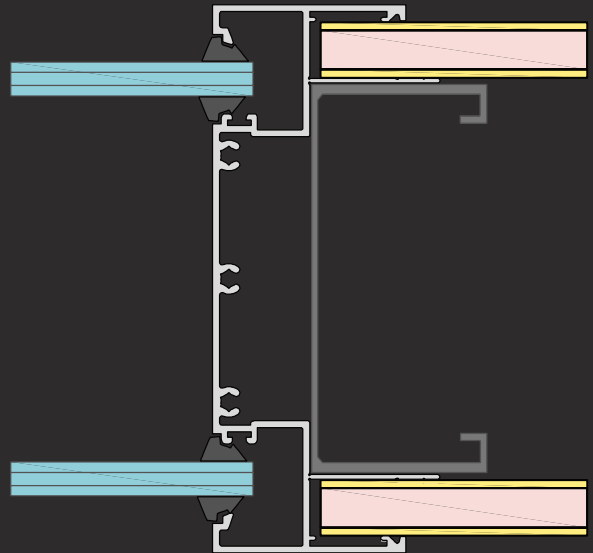
Double Glazing System

Reduce noise transfer with double glazing

The Metinno 9000D Series system will take your project's office environment design to the next level when utilised. The feature of this system offers double glazing office panels while maintaining the 45mm side profile design, seamlessly matching external glazing creating a fluent finish throughout the project.

This system has been developed to service the growing demand for high levels of acoustic isolation in certain applications e.g. Manager's Offices, Conference Rooms, Board Rooms, Classrooms etc. while still achieving the heavy duty look of a shop-front system. It is also a suitable solution for where extra security may be required i.e. warehouse offices.

There are unlimited designs that can be created when integrating the Metinno 9000D system with the Metinno 1000 system. Achieve a visually appealing finish with double-glazed panels that can be simply constructed on-site while still maintaining a consistent glazing detail to one or both sides.



9000D Series

Create office privacy with acoustic performance

The double glazed profile of the Metinno 9000D system provides a high level of acoustic isolation required in many applications achieving a rating up to RW/STC 46.

The Metinno 9000D system sections can be used with 92mm steel stud and 90mm timber stud as well as 64mm steel stud when combined with two layers of 13mm plasterboard each side.

For more product inspiration and to download CAD and Specification files visit adxarchitectural.com.au.



warrayungondi

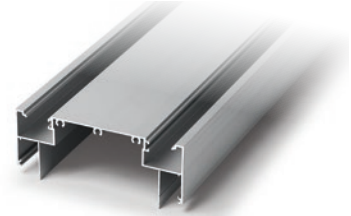
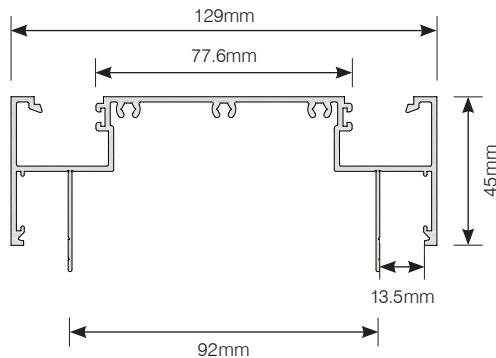
warrayungondi
to give word, to tell, to inform

METINNO® 9000D Series

DOUBLE GLAZING SYSTEM

9001D | Double Glazed Main Frame

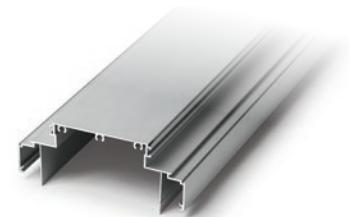
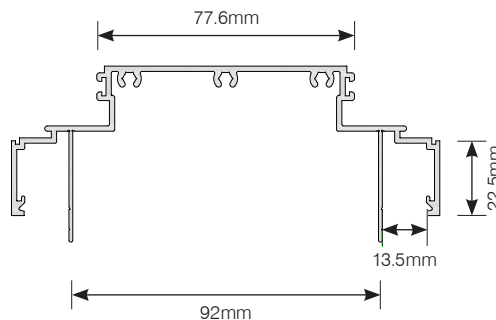
- Takes 92mm metal stud or 90mm timber stud with 13mm plasterboard each side.
- This section and all others in this suite can also be used with a 64mm stud with 2 layers of 13mm plasterboard each side.
- The inner fins can be snapped off to take the 9004D Glazing Adaptor for glass.



Section	Natural Anodised Available Length (m)	Mill Finish Available Length (m)	Connects With
9001D	5.5	-	9004, 9004C, 9004D, 9012

9002D | Double Glazed Sill Transom with Fins

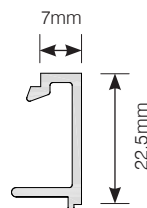
- Used in half height windows as a sill that has plasterboard underneath it as it has the fins that the plasterboard is fixed to.
- Used in full height windows as a sill that sits on the ground as the fins can be snapped off.
- Can also be used as a transom when the 9004D is snapped in to achieve glass above and below.



Section	Natural Anodised Available Length (m)	Mill Finish Available Length (m)	Connects With
9002D	5.5	-	9003D, 9004, 9004C, 9004D

9003D | Double Glazed Sill Bead

- Used in conjunction with section 9002D.
- Clip in bead for glazing bead.

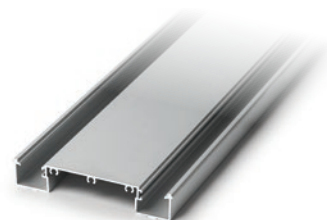
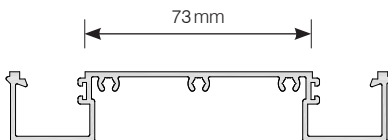


Section	Natural Anodised Available Length (m)	Mill Finish Available Length (m)	Connects With
9003D	5.5	-	9002D



9004D | Double Glazing Adaptor

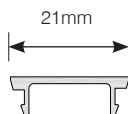
- Used as a glazing adaptor for beside doorways, underneath ceiling channels, and transoms.



Section	Natural Anodised Available Length (m)	Mill Finish Available Length (m)	Connects With
9004D	5.5	-	9001, 9001C, 9001D, 9001, 9009, 9012

9012D | Double Glazed Pocket Filler

- Pocket filler for glazing pockets.
- Clip in for easy installation.

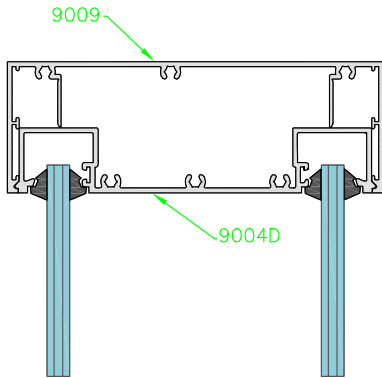


Section	Natural Anodised Available Length (m)	Mill Finish Available Length (m)	Connects With
9012D	5.5	-	System: 9000D

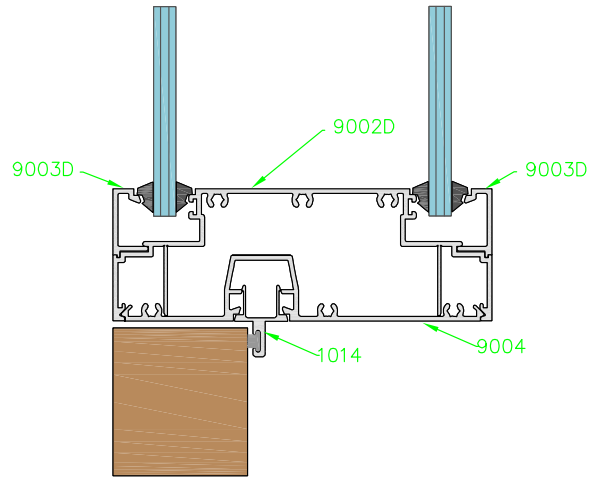
METINNO® 9000D Series

DOUBLE GLAZING SYSTEM

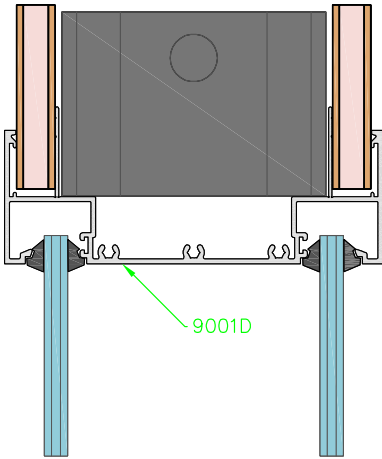
Detail 32 | Double Glazing Details



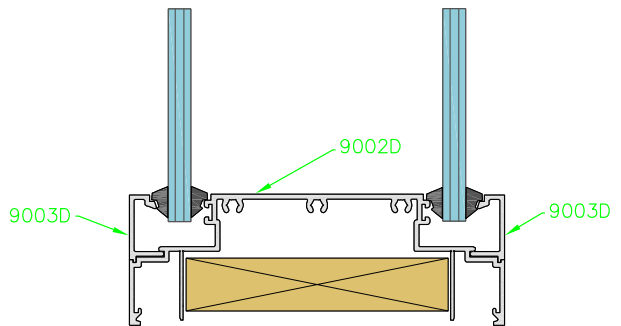
Head detail



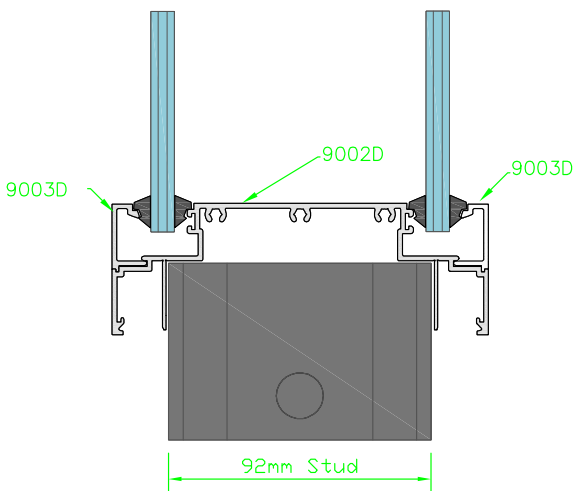
Transom above door



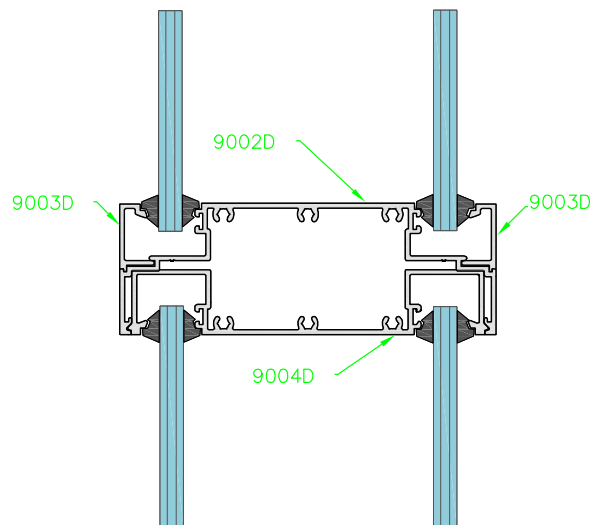
Head to wall



Sill to floor



Sill to wall



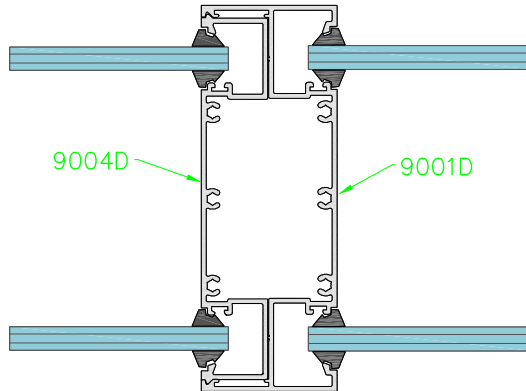
Glazed transom

Colour Legends

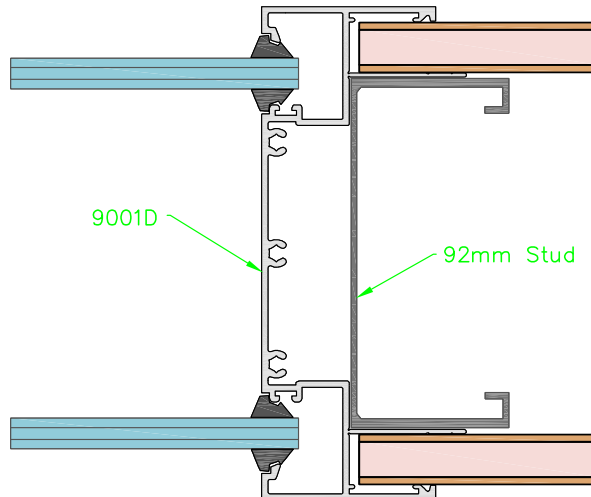
- Aluminium Partition (face and section)
- Steel Stud
- Plasterboard Profile

ALUMINIUM PARTITIONING CONSTRUCTION DETAILS

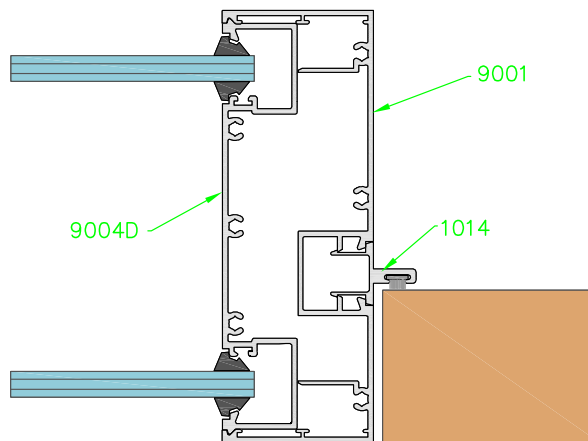
Detail 33 | Double Glazed Mullion Detail



Detail 34 | Double Glazed Partition Detail



Detail 35 | Double Glazed to Door Opening



Glass
 Door
 Glazing Wedge Elevation View
 Glazing Wedge Profile
 Silicone Joint
 Timber Stud



METINNO®

Aluminium Sliding Door Systems

Creating seamless aesthetics, Metinno Aluminium Sliding Door Systems offer the ideal solution for separating and joining two spaces. Components have been meticulously developed to allow designers to create distinctive work spaces, combining practicality with simplicity.

Select from wide and narrow-stile design options that pair perfectly with your choice of door hardware. Alternatively, design a sliding door with an integrated finger grip stile, eliminating extra costs of door hardware while also ensuring ongoing strength - even after years of usage.

Interlocking stiles are also available and an ideal solution for stacking doors. With it's one-piece design, avoid reliance on double sided tape and mechanical fixings to hold separate sections together, saving time and removing the possibility of frame fatigue.

The sliding doors roll on acetyl wheels which are perfectly combined with the aluminium floor track. It closes into a slimline receiving channel with an adjustable receiving strike with concealed fixings. With these unique qualities, this quiet and smooth running system offers a comprehensive range of innovative style and functionality solutions that are suitable to blend with any office decor.

Features and Benefits:

- Provides disabled friendly options yet maintains a slimline profile.
- Slimline glazing system with concealed locking.
- Unique flush mounted floor track system eliminates trip hazards.
- The door can be incorporated with Metinno Aluminium Cavity Slider System.
- Integrates with other Metinno aluminium partitioning suites.
- The full length integrated handle design eliminates the need for adhesive fixed "finger grips".
- Integrated acoustic seals.
- Space saving alternative to hinged doors.
- Superior longevity with no hinge or framework fatigue.
- Available in natural anodised or mill finish for powder coating to any colour.



METINNO®

5000 Series

Aluminium Sliding Door System

- Slimline glazing system
- Fully concealed fixings
- No trip hazards with flush mounted floor track system, allowing wheelchair access
- Combine with Metinno Cavity Slider System
- Option of full length integrated handle, acoustic seals and concealed locking
- Available in natural anodised or mill finish for powder coating to any colour



METINNO® 5000 Series

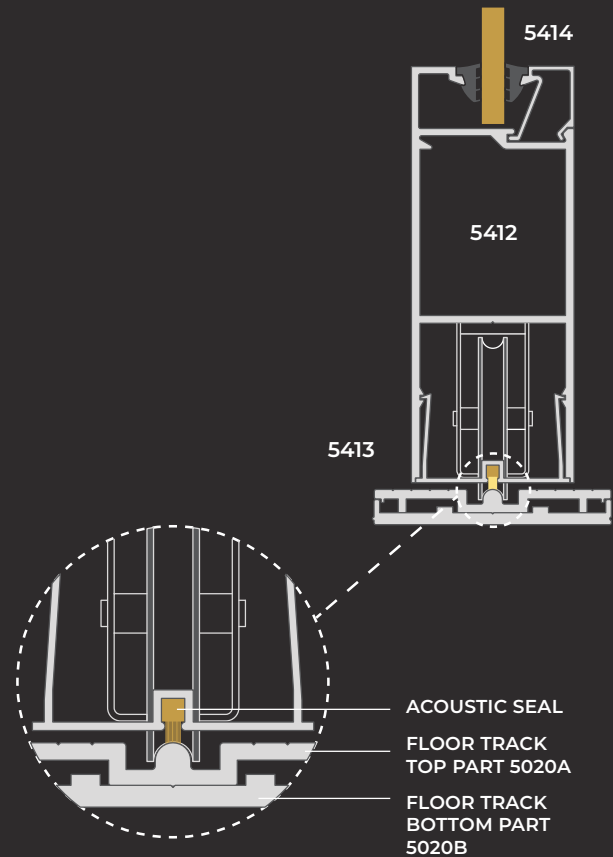
Aluminium Sliding Door System

Sophisticated sliding door system

This system focuses on modern, sharp lines which are the result of the small radii achieved in the design of the aluminium sections. It allows designers to create distinctive workspaces combining practicality with simplicity and it is subtle enough to blend with any office décor.

It allows the option of an attractive and functional sliding door which features a floor track that sits flush with carpet. The lightweight aluminium head guide fixes to the ceiling and eliminates the need for additional structural framework. The sliding door rolls on acetyl wheels which are perfectly combined with the aluminium floor track. It closes into a slimline receiving channel with an adjustable receiving strike with concealed fixings.

The Metinno 5000 Series sliding door incorporates the option of a full height integrated finger grip handle removing the cost of other door hardware. Overall longevity of the system is increased as there is no frame fatigue caused from hinges.



5000 Series

Improve acoustic performance

The uniquely designed rail brings you a sliding door with acoustic seals on all four sides. Whether it is essential for an increased acoustic performance, or improving climate control, this addition to the Metinno 5000 Series will literally close a gap that acoustic specialists and design consultants have been looking for, for many years.

With the acoustic seal in header track and both leading and trailing edge, a significant acoustic value is already achieved. The additional acoustic seal between the base of door and wheel arch of floor track effectively completes the system.

For more product inspiration and to download CAD and Specification files visit adxarchitectural.com.au.

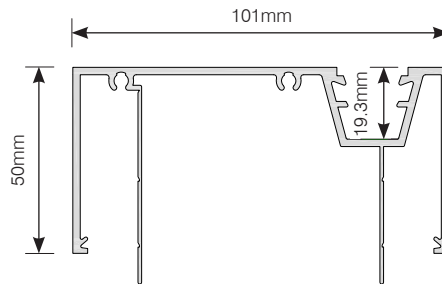


METINNO® 5000 Series

ALUMINIUM SLIDING DOOR SYSTEM

5101 | Frontline Main Frame

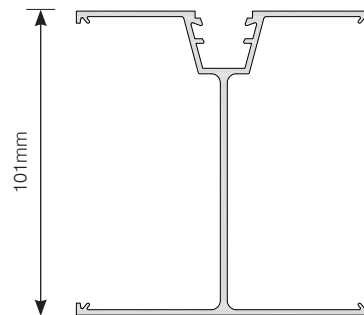
- Used in conjunction with 5032 to create a slimline receiving stile.
- Used where it is required to have the closing stile of the sliding door away from the adjacent wall.
- Can be utilised as a Main Frame section of a Frontline Glazing System.



Section	Natural Anodised Available Length (m)	Mill Finish Available Length (m)	Connects With
5101	3.1	-	5102, 5004, 5204, 5032

5000 | 3 Way Corner Post

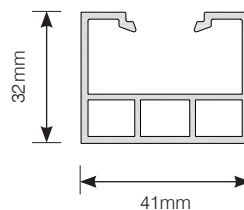
- A versatile solution where a corner or 3 way partition junction is required.
- Utilised with the sliding door system it creates a functional and flexible intersection of glazed and plasterboard partitions.



Section	Natural Anodised Available Length (m)	Mill Finish Available Length (m)	Connects With
5000	3.1	-	1006, 5004, 5007, 5032, 5204

5001 | Main Frame

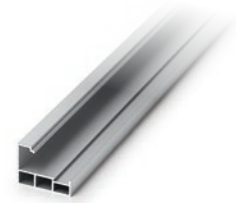
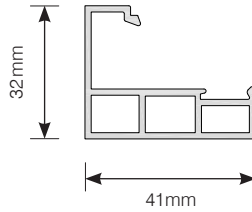
- Designed to run parallel with the sliding door to maintain consistent lineal appearance.
- Can be combined with the Metinno 1000.
- Joined with 5007 Spiggots eliminating exposed fixings.



Section	Natural Anodised Available Length (m)	Mill Finish Available Length (m)	Connects With
5001	3.1	-	5007

5002 | Sill Transom

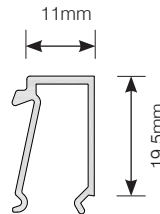
- Used in conjunction with 5001 to facilitate the glazing of Metinno 5000.
- The unique 5007 Spiggot system allows for a simple joining system of the 5001 and 5002 sections eliminating exposed face fix riveting methods.



Section	Natural Anodised Available Length (m)	Mill Finish Available Length (m)	Connects With
5002	2.8	-	5003, 5007

5003 | Sill Bead

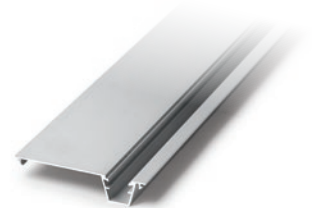
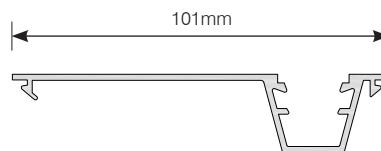
- Used in conjunction with 5002.
- Removable for installation of glass.



Section	Natural Anodised Available Length (m)	Mill Finish Available Length (m)	Connects With
5003	2.8	-	5002

5004 | Frontline Glazing Adaptor

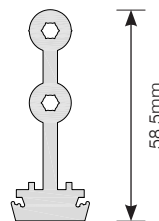
- Designed primarily to clip into the 5000 and 5101 sections to create a versatile glazing system along with the Sliding Door System.
- Can also be clipped into 5102 and 5201 sections.



Section	Natural Anodised Available Length (m)	Mill Finish Available Length (m)	Connects With
5004	3.1	-	5000, 5101, 5102, 5201, 5202

5007 | Spiggot

- Designed and machined to the highest standard, facilitating mainly the connection of the 5001 & 5002 sections and any other Metinno pocket sections.
- No exposed fixings.



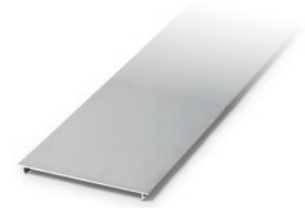
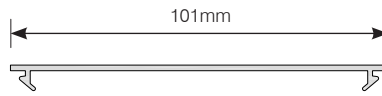
Section	Available Finish	Connects With
5007	Mill Finish	5000, 5001, 5002, 5004, 5101

METINNO® 5000 Series

ALUMINIUM SLIDING DOOR SYSTEM

1006 | Flat Filler

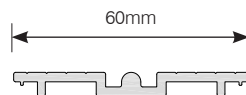
- Full width filler designed to fit into the 3 way corner post.
- It can also be utilized along with the Metinno 1000 and 2000.



Section	Natural Anodised Available Length (m)	Mill Finish Available Length (m)	Connects With
1006	3.1	-	System: 1000, 2000, 5000 Main Frames

5020A | Sliding Door Floor Track Top Section

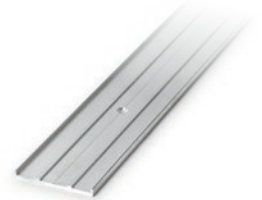
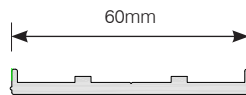
- The top section of the 2 piece Floor Track system.
- Designed to eliminate the need of any exposed fixings.
- Provides an overall profile of 9mm making it easy to create a level finish to floor coverings.
- Door Stop required (DAX12802SSS).



Section	Natural Anodised Available Length (m)	Mill Finish Available Length (m)	Connects With
5020A	4.0	-	5020B

5020B | Sliding Door Floor Track Base

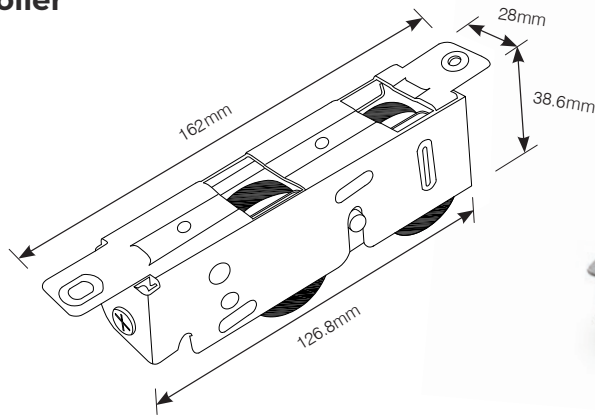
- The base section of the 2 piece Floor Track system.
- Allows the installer to fasten and level the base prior to installing the 5020A Track Top Section.
- Pre drilled and countersunk at 300mm centres.
- Recommended to use construction grade polyurethane sealant to bond the 2 sections together.



Section	Natural Anodised Available Length (m)	Mill Finish Available Length (m)	Connects With
5020B	-	4.0, 6.0	5020A

5022 | Commercial Door Roller

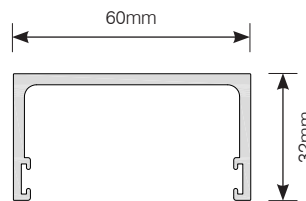
- Designed to fit within the 5412 Bottom Door Rails.
- Provides a commercial grade height adjustable roller system.
- A stainless steel carriage construction with dual acetyl wheels.



Section	Available Finish	Connects With
5022	Stainless Steel	5412

5030 | Sliding Door Top Guide

- Used as the top head guide which is fixed to the ceiling.
- Has the same 32mm edge profile to match 1000, 2000, 3000, 5000 systems.
- Door Stop required (DAX12802SSS).



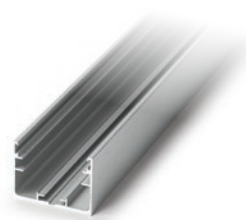
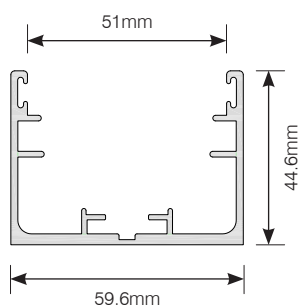
Section	Natural Anodised Available Length (m)	Mill Finish Available Length (m)	Connects With
5030	4.0, 6.5	-	1020

METINNO® 5000 Series

ALUMINIUM SLIDING DOOR SYSTEM

5031A | Receiving Stile

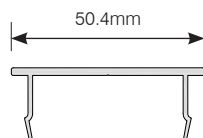
- Designed to provide a unique receiving stile.
- Incorporates a simple concealed fixing system of the latching strike.
- No exposed fixings.



Section	Natural Anodised Available Length (m)	Mill Finish Available Length (m)	Connects With
5031A	3.1	-	5031B

5031B | Receiving Stile Infill

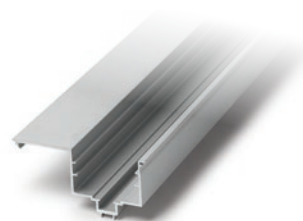
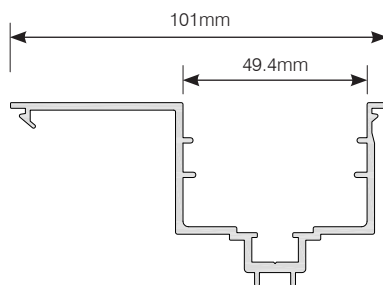
- Designed to clip into the 5031A section which conceals all fixings and the latching strike.



Section	Natural Anodised Available Length (m)	Mill Finish Available Length (m)	Connects With
5031B	3.1	-	1020, 5031A

5032 | Receiving Channel Adaptor

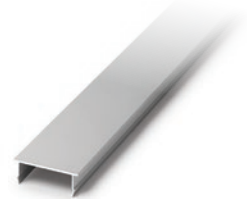
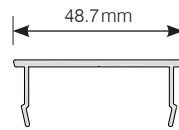
- Designed to be used with sections 5000 and 5101.
- Provides a unique recessed receiving stile.
- Incorporates a simple concealed fixing system of the latching strike.
- No exposed fixings.



Section	Natural Anodised Available Length (m)	Mill Finish Available Length (m)	Connects With
5032	3.1	-	5000, 5101, 5033

5033 | Receiving Channel Adaptor Infill

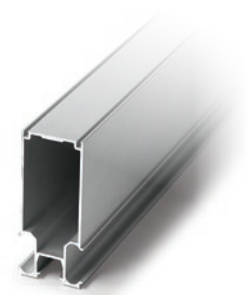
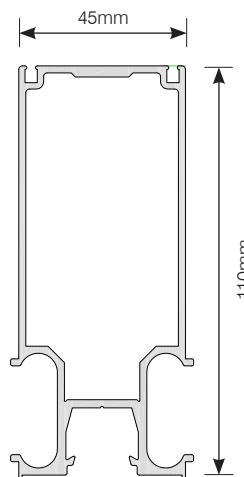
- Designed to clip into 5032 section which conceals all fixings and the latching strike.



Section	Natural Anodised Available Length (m)	Mill Finish Available Length (m)	Connects With
5033	3.1	-	5031A, 5032

5061 | Easygrip Stile End Seal

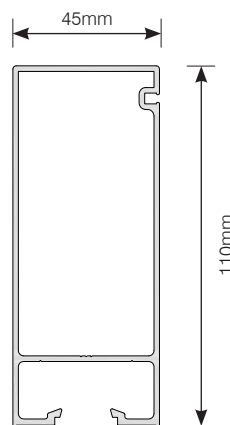
- Unique integrated finger grip eliminating the requirement of a handle.
- Provision for an acoustic brush seal incorporated on the end of the section.
- To be used as a leading stile.
- Works with the 5031 and 5032 receiving stiles.



Section	Natural Anodised Available Length (m)	Mill Finish Available Length (m)	Connects With
5061	2.8, 3.1	2.8, 3.1	5412, 5065, PS8, PS13

5062 | Trailing Stile Side Seal

- Provision for an acoustic brush seal incorporated on the side of the section.
- Allows it to be used for either a trailing or leading stile.
- Architectural back to back handles can be used.



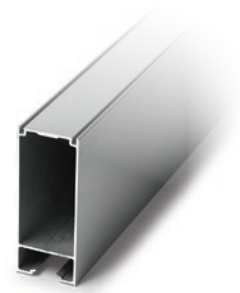
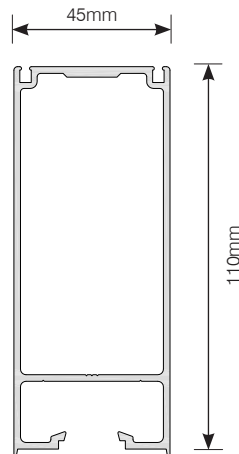
Section	Natural Anodised Available Length (m)	Mill Finish Available Length (m)	Connects With
5062	2.8, 3.1	2.8, 3.1	5412, 5064, PS13, PS8

METINNO® 5000 Series

ALUMINIUM SLIDING DOOR SYSTEM

5063 | Leading Stile End Seal

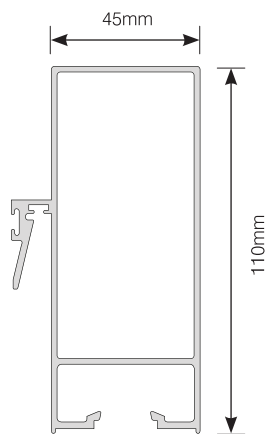
- Provision for an acoustic brush seal incorporated on the end of the section.
- To be used as a leading stile.
- Works with the 5031 and 5032 receiving stiles.
- Architectural back to back handles can be used.



Section	Natural Anodised Available Length (m)	Mill Finish Available Length (m)	Connects With
5063	2.8, 3.1	2.8	5412, 5064, PS13, PS8

5066 | Interlock Stile

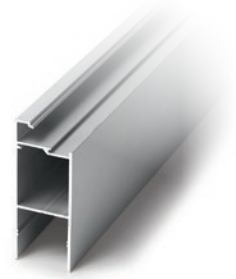
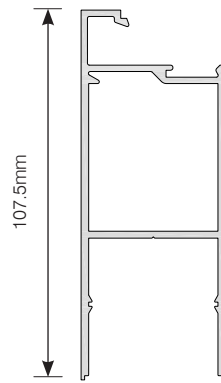
- Innovative solution for stacking door systems.
- Features integrated interlock.
- Eliminates reliance on double sided tape or labour intensive mechanical fixings to hold a separate interlock section.



Section	Natural Anodised Available Length (m)	Mill Finish Available Length (m)	Connects With
5066	3.1	-	5412, 5064

5412 | Door Rail

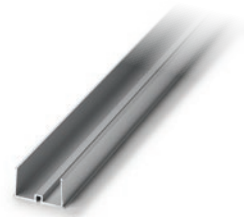
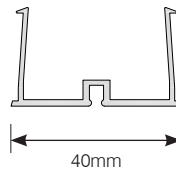
- This section is designed to accept the unique 5413 Acoustic Bottom Seal Adaptor for sliding and hinged doors.



Section	Natural Anodised Available Length (m)	Mill Finish Available Length (m)	Connects With
5412	2.8, 6.5	2.9, 6.5	5413 , 5414

5413 | Door Seal Adaptor

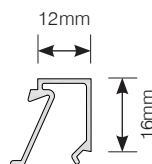
- Designed to be installed in the bottom of the 5412 Door Rail section where a concealed acoustic seal is required for sliding and hinged aluminium doors.



Section	Natural Anodised Available Length (m)	Mill Finish Available Length (m)	Connects With
5413	2.8	-	5412

5414 | Door Bead

- Used in conjunction with 5412 Door Rail to facilitate the glazing of the door.



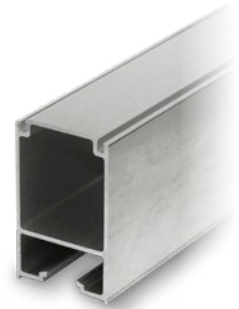
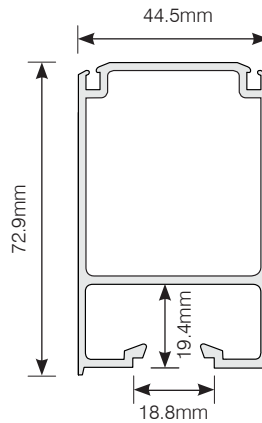
Section	Natural Anodised Available Length (m)	Mill Finish Available Length (m)	Connects With
5414	2.8, 6.5	2.9	5412

METINNO® 5000 Series

ALUMINIUM SLIDING DOOR SYSTEM

5912 | Narrow Stile End Seal

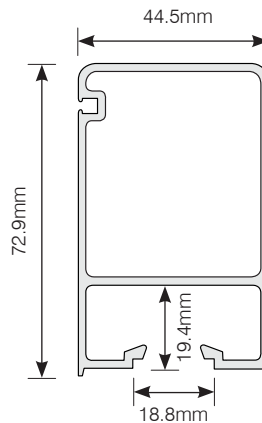
- Provision for an acoustic brush seal incorporated on the end of the section.
- To be used as a leading stile.
- Works with the 5031 and 5032 receiving stiles.
- Architectural back to back handles can be used.



Section	Natural Anodised Available Length (m)	Mill Finish Available Length (m)	Connects With
5912	6.5	6.5	5064, PS13, PS8

5908 | Narrow Stile Side Seal

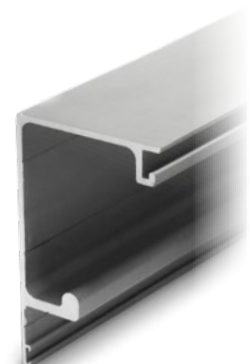
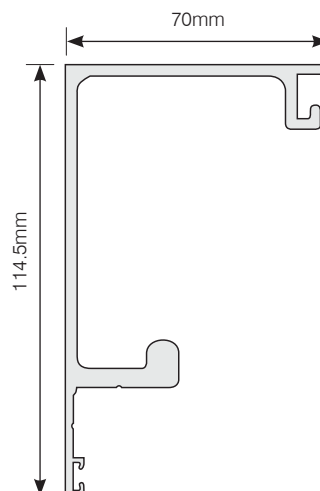
- Provision for an acoustic brush seal incorporated on the side of the section.
- Allows it to be used for either a trailing or leading stile.
- Architectural back to back handles can be used.



Section	Natural Anodised Available Length (m)	Mill Finish Available Length (m)	Connects With
5908	6.5	6.5	5064, PS16

5453 | Top Roller Pelmet Track

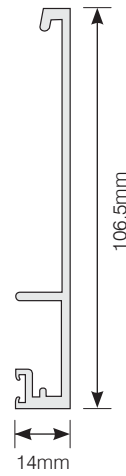
- Sturdy construction supporting 150kg loads.
- Connects with the 5454 top roller heavy duty pelmet to hold 5024 roller in place.
- Suits all timber and 5000 Series aluminium sliding doors.



Section	Natural Anodised Available Length (m)	Mill Finish Available Length (m)	Connects With
5453	6.5	6.5	5454, 1020G, 1020B, 5024

5454 | Top Roller Pelmet

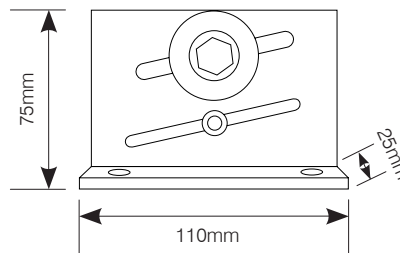
- Conceals roller mechanisms when integrated with 5453 Top Hung Pelmet Track.



Section	Natural Anodised Available Length (m)	Mill Finish Available Length (m)	Connects With
5454	6.5	6.5	5453, 1020G, 1020B

5024 | Top Door Roller

- Heavy duty construction supporting 250kg loads.
- Integrates with 5453 Top Hung Pelmet Track and 5454 Top Roller Heavy Duty Pelmet.



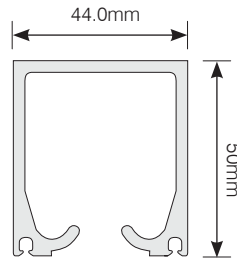
Section	Available Finish	Connects With
5024	Stainless Steel	5453, 5454

METINNO® 5000 Series

ALUMINIUM SLIDING DOOR SYSTEM

5461 | Top Roller Light Duty Track

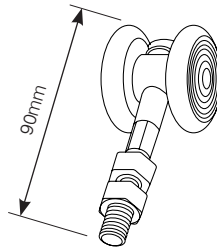
- Aesthetically pleasing track allowing sliding door rollers to open and close smoothly.
- Easily hidden by timber pelmet.
- Works with all standard cavity slider rollers.
- Integrates with 5019 Top Roller Light Duty.



Section	Natural Anodised Available Length (m)	Mill Finish Available Length (m)	Connects With
5461	6.5	6.5	5019

5019 | Top Door Roller Light Duty

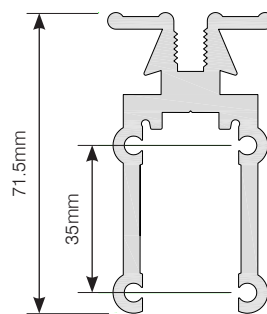
- Heavy duty construction supporting 80kg loads.
- Integrates with 5461 Top Roller Light Duty Track.



Section	Available Finish	Connects With
5019	Stainless Steel	5461

5064 | Door Spiggot

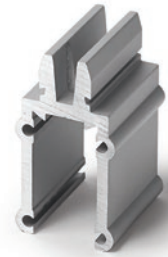
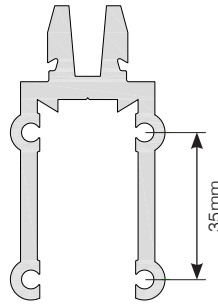
- Connects door intersections rigidly.



Section	Available Finish	Connects With
5064	Mill Finish	5062, 5063, 6002, 6003, 6909, 6910

5065 | Easygrip Door Spigot

- Connects door intersections rigidly.
- Designed to suit Easygrip stiles only.



Section	Available Finish	Connects With
5065	Mill Finish	5061

PS8 | 8mm Felt Seal for Leading Stile

- Used as an acoustic seal.
- Inserted into the aluminium profile on the trailing stile of the sliding aluminium door.



Section	Available Finish	Connects With
PS8	Grey & Black	5061,5063

PS16 | 16mm Felt Seal for Trailing Stile

- Used as an acoustic seal.
- Inserted into the aluminium profile on the trailing stile of the sliding aluminium door.

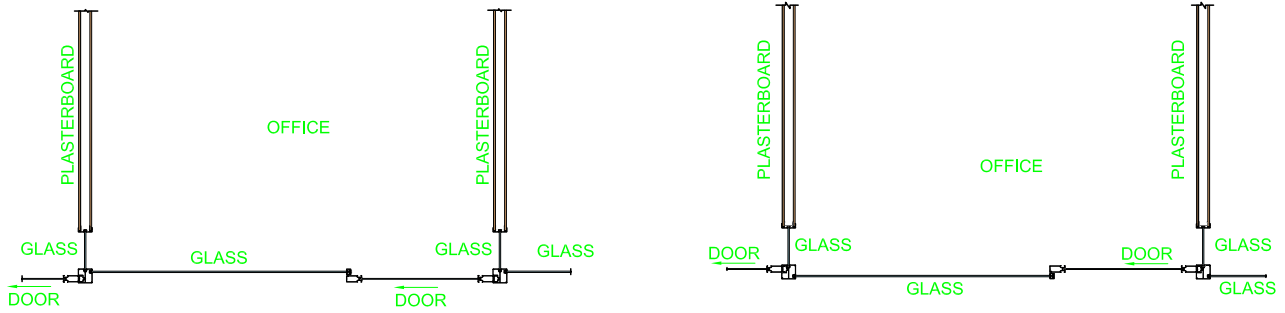


Section	Available Finish	Connects With
PS16	Grey & Black	5062, 5413

METINNO® 5000 Series

ALUMINIUM SLIDING DOOR SYSTEM

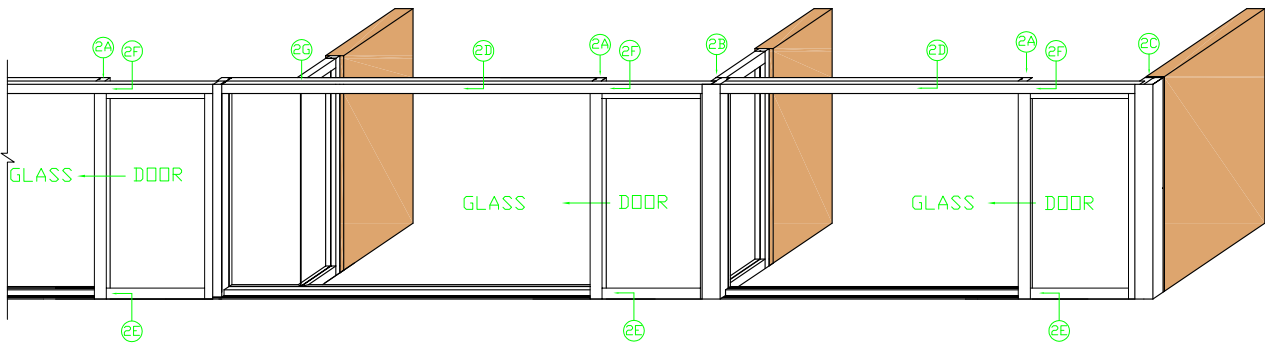
Detail 1 | Typical Floor Plan Showing Metinno 5000 Used in Office Construction



External Doors

Internal Doors

Detail 2 | Typical Elevation

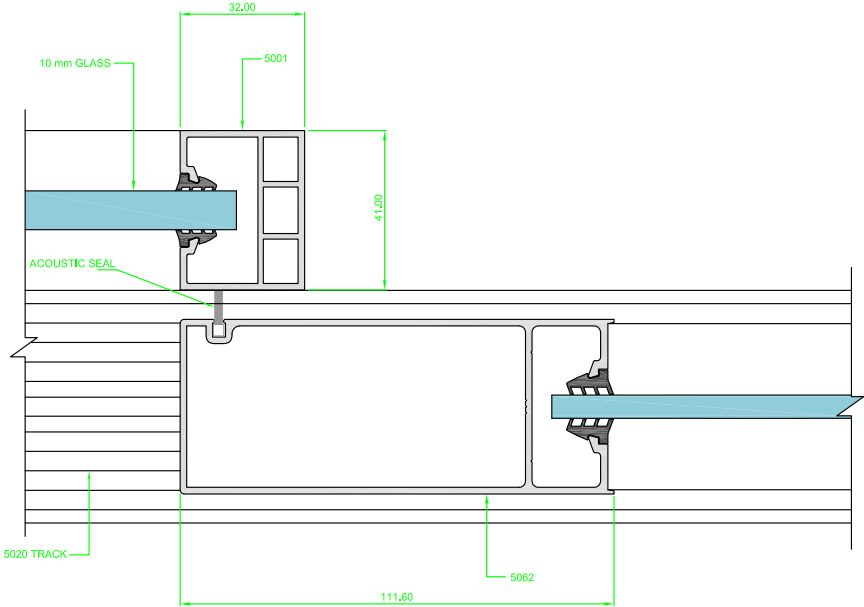


See following pages for drawings 2A to 2G

Colour Legends

- Aluminium Partition (face and section)
- Steel Stud
- Plasterboard Profile

Detail 2A | Horizontal Detail of Trailing Stile Showing Plain Stile

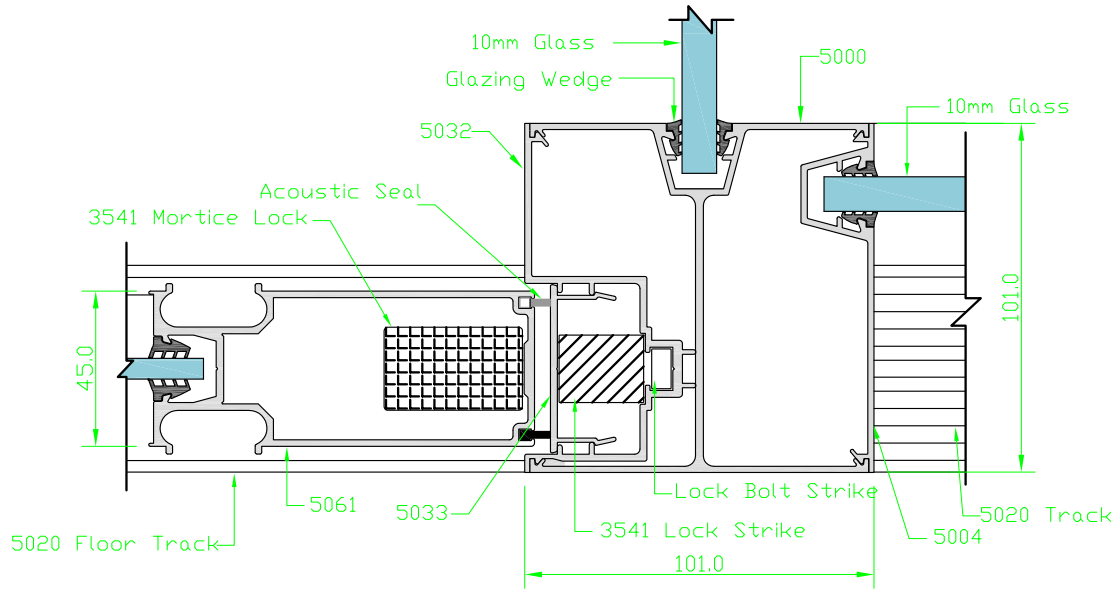


Trailing stile using 5062

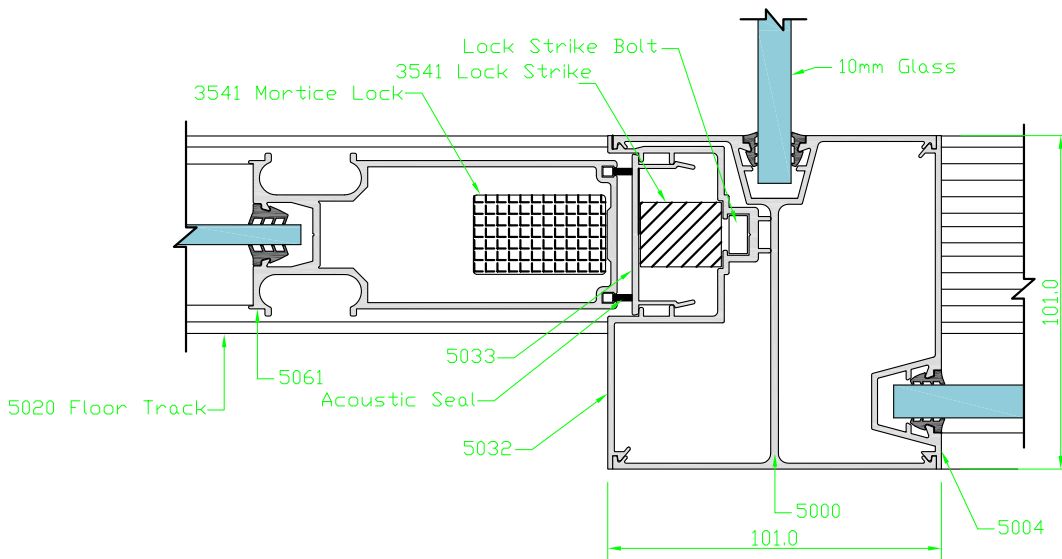
METINNO® 5000 Series

ALUMINIUM SLIDING DOOR SYSTEM

Detail 2B | Horizontal Detail of Post Detail with Glazing Used for Sliding Doors



Sliding door externally



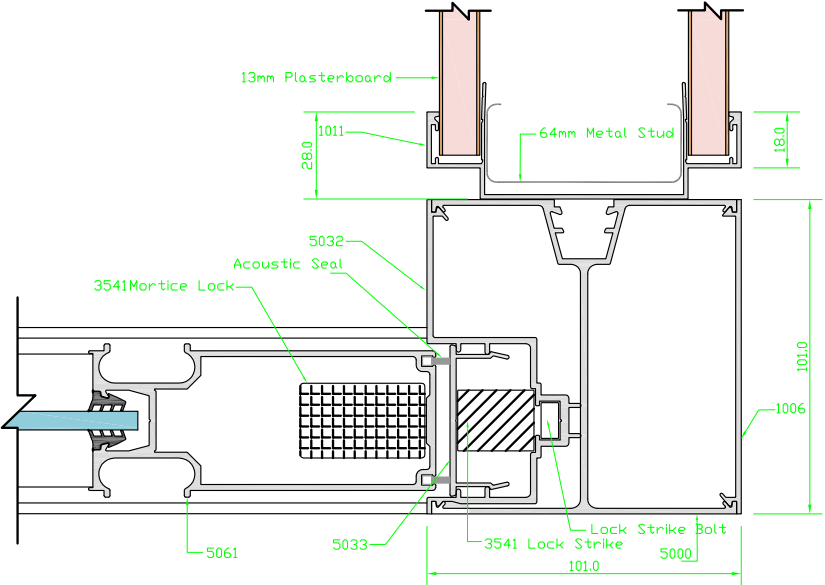
Sliding door internally

Colour Legends

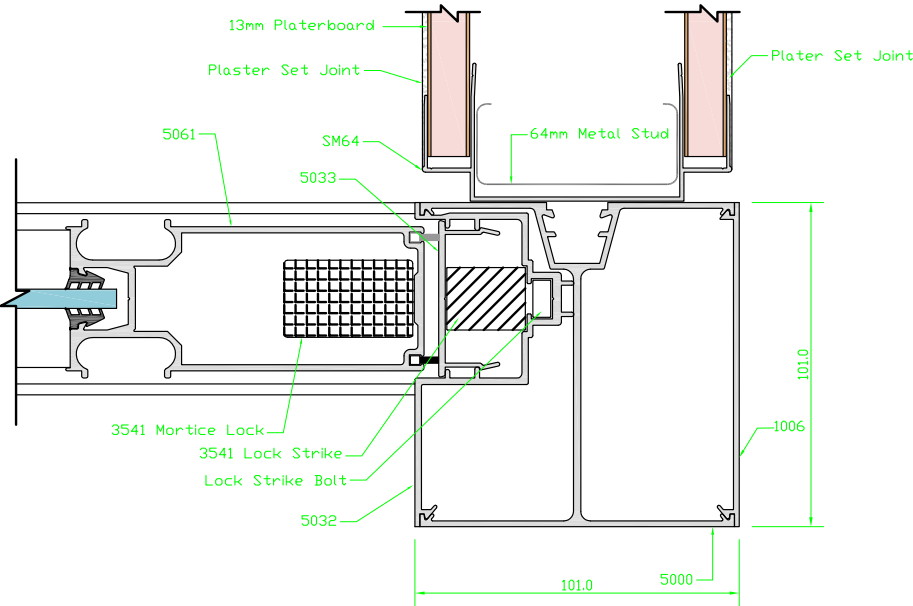
- Aluminium Partition (face and section)
- Steel Stud
- Plasterboard Profile

SLIDING DOOR CONSTRUCTION DETAILS

Detail 2C | Horizontal Detail of Corner Post and Plasterboard Wall Intersection for Sliding Doors



Sliding door externally



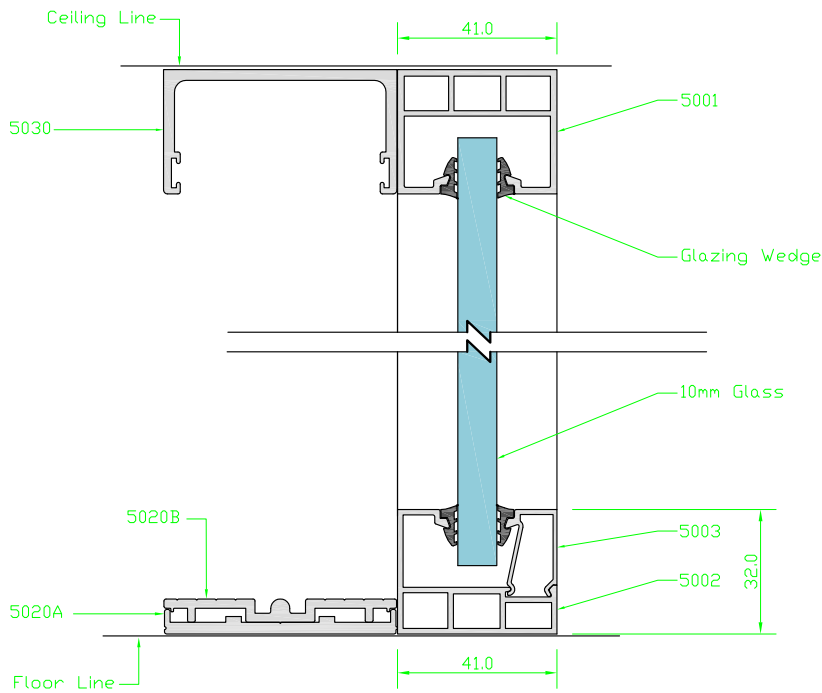
Sliding door internally

■ Glass
 ■ Door
 ■ Glazing Wedge Elevation View
 ■ Glazing Wedge Profile
 ■ Silicone Joint
 ■ Timber Stud

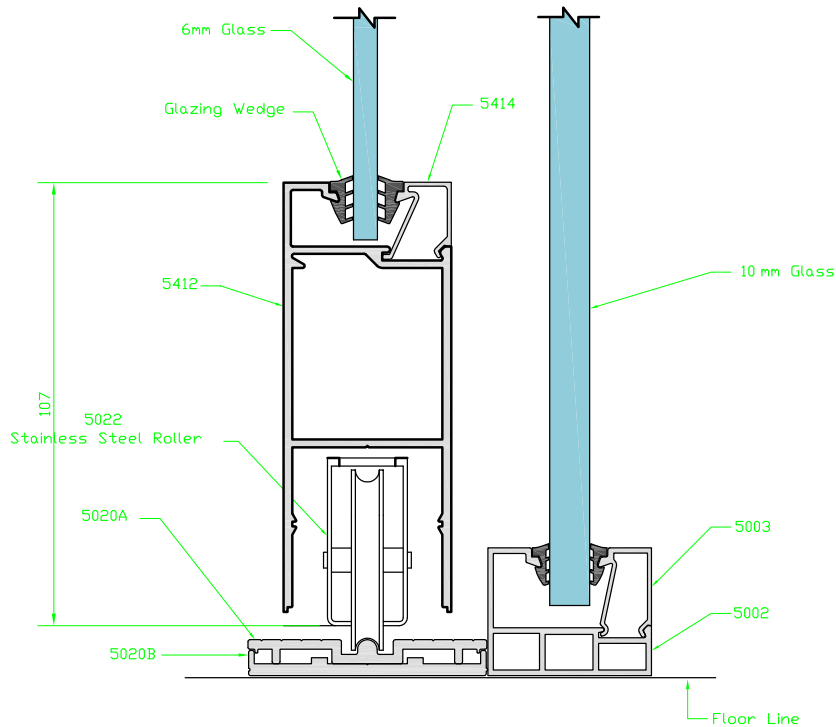
METINNO® 5000 Series

ALUMINIUM SLIDING DOOR SYSTEM

Detail 2D | Vertical Detail of Sliding Door Track and Glazing



Detail 2E | Vertical Detail of Sliding Door to Floor Track

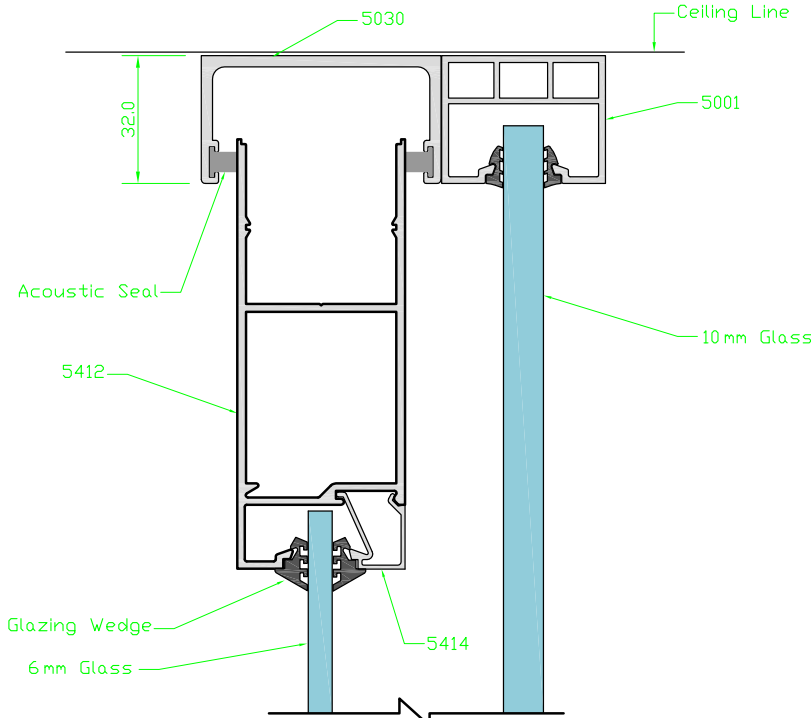


Colour Legends

- Aluminium Partition (face and section)
- Steel Stud
- Plasterboard Profile

SLIDING DOOR CONSTRUCTION DETAILS

Detail 2F | Vertical Detail of Sliding Door in Head Track

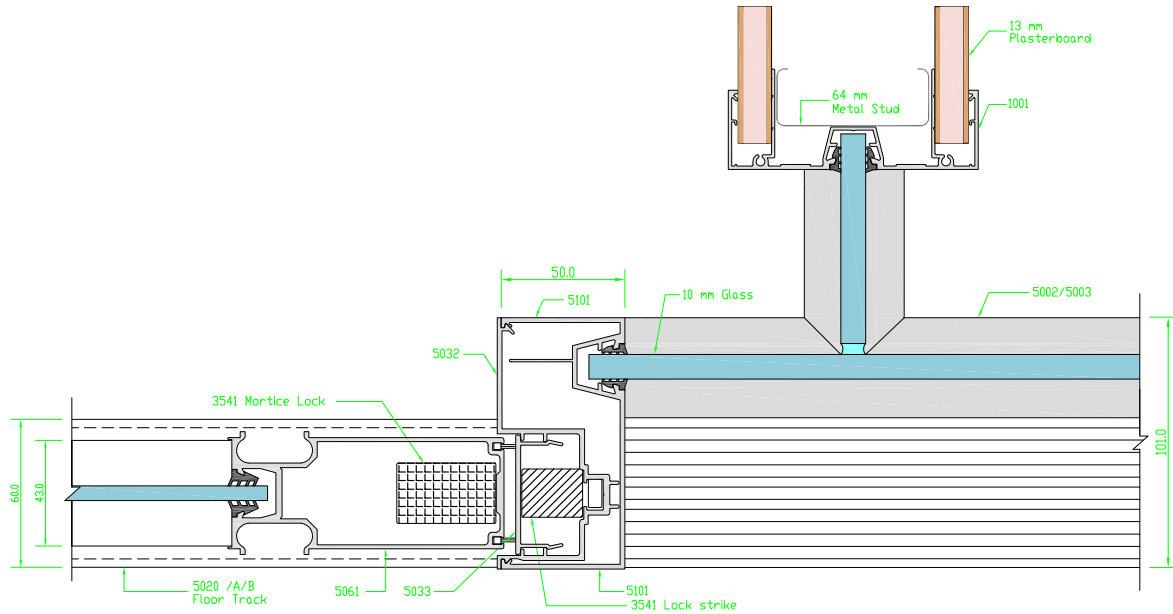


- Glass
- Door
- Glazing Wedge Elevation View
- Glazing Wedge Profile
- Silicone Joint
- Timber Stud

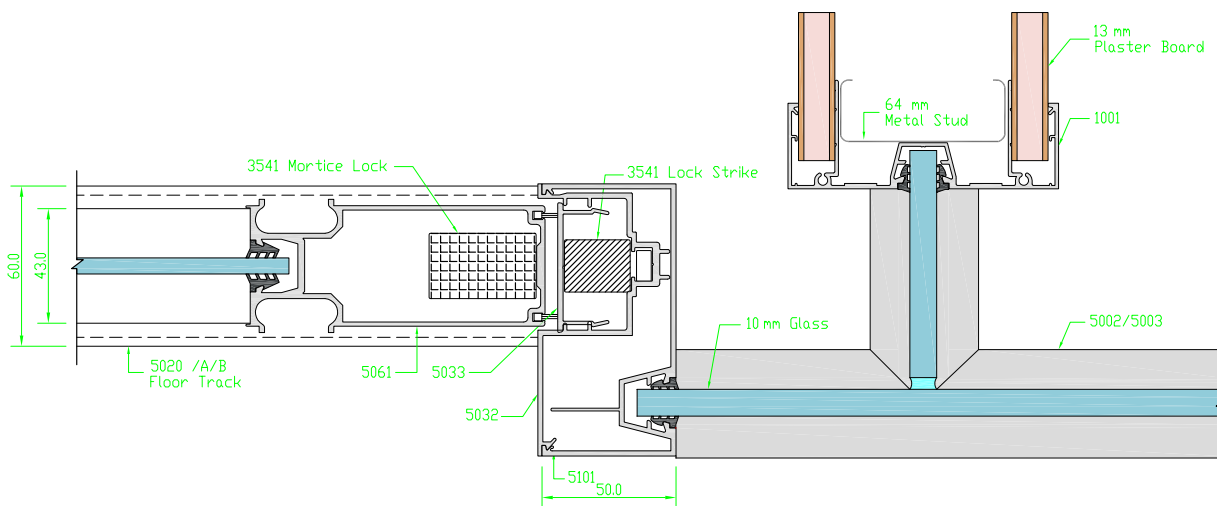
METINNO® 5000 Series

ALUMINIUM SLIDING DOOR SYSTEM

Detail 2G | Horizontal Detail of Section 5101 Used in Conjunction with Mitre Joints for Sliding Doors



Sliding door externally



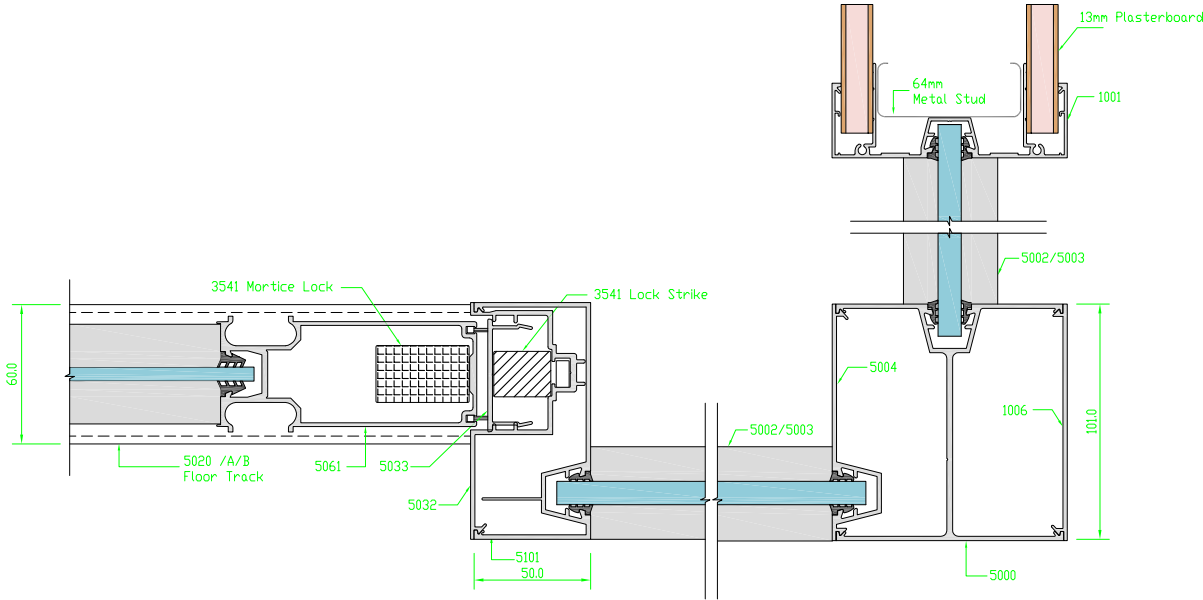
Sliding door internally

Colour Legends

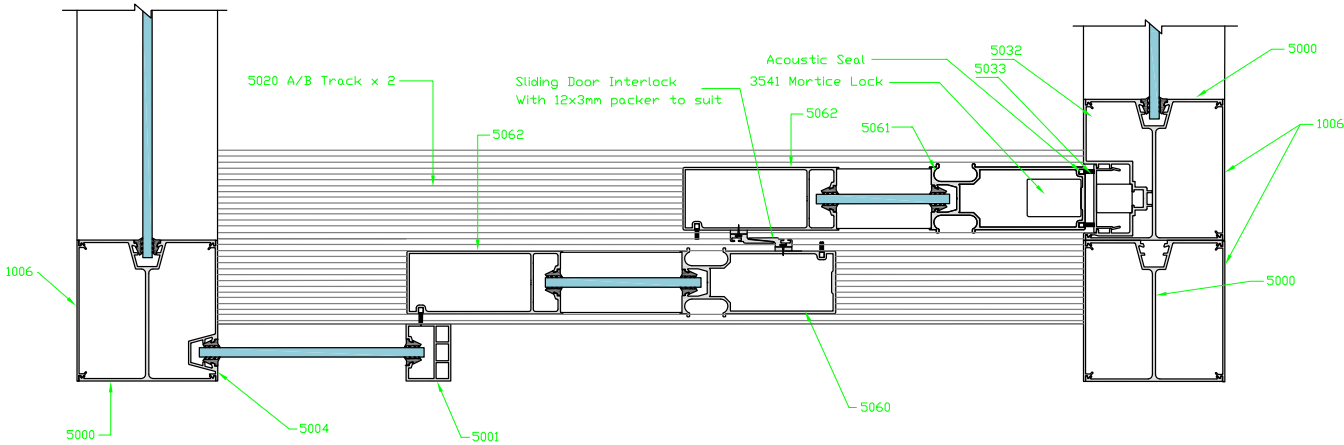
- Aluminium Partition (face and section)
- Steel Stud
- Plasterboard Profile

SLIDING DOOR CONSTRUCTION DETAILS

Detail 3 | Internal Sliding Door Meeting Section 5101 Used in Conjunction with Corner Post



Detail 4 | Horizontal Detail for Multipanel Double Overlapping Slider for Wider Opening

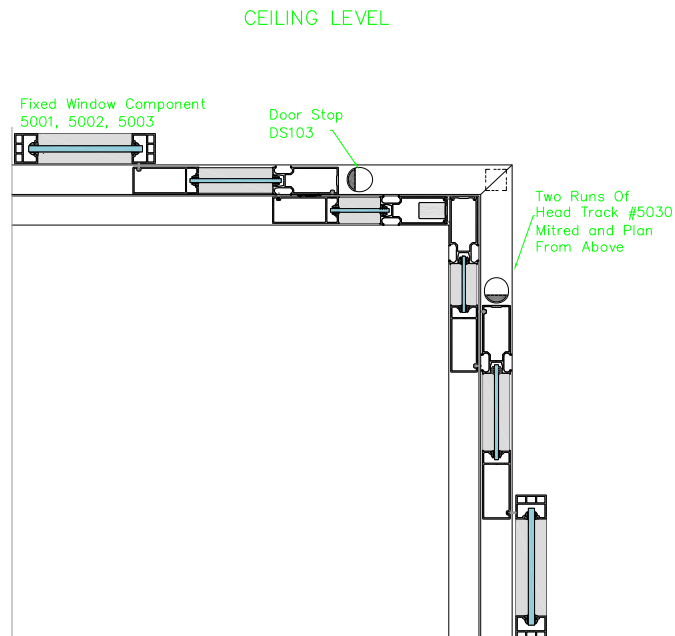
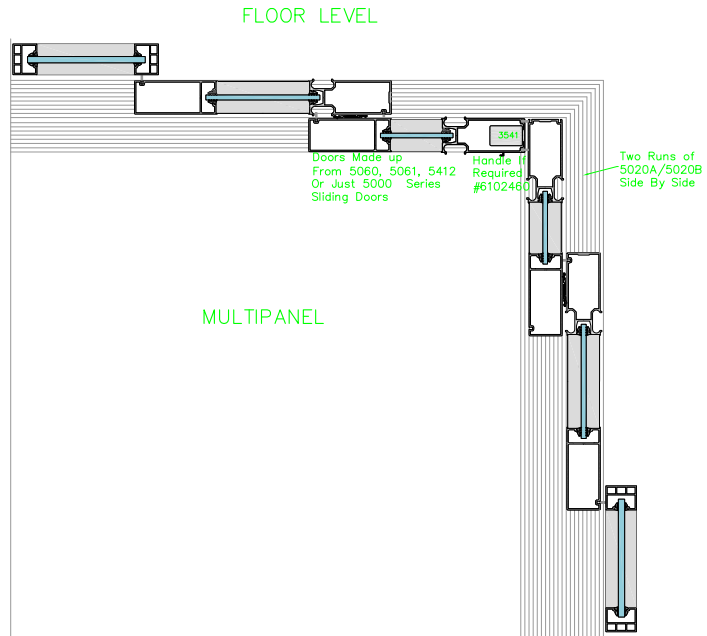


■ Glass
 ■ Door
 ■ Glazing Wedge Elevation View
 ■ Glazing Wedge Profile
 ■ Silicone Joint
 ■ Timber Stud

METINNO® 5000 Series

ALUMINIUM SLIDING DOOR SYSTEM

Detail 5 | Horizontal Detail for Multipanel Doors to Open Up Rooms



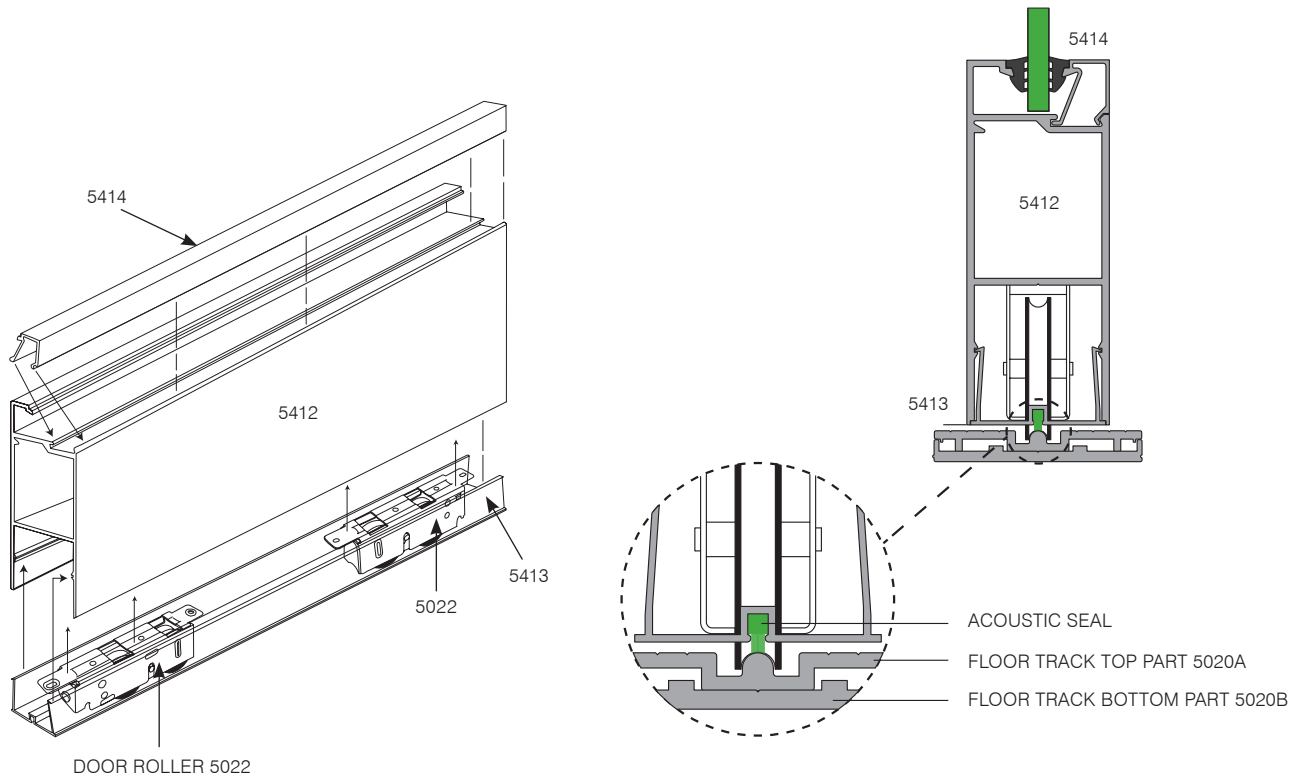
Colour Legends

- Aluminium Partition (face and section)
- Steel Stud
- Plasterboard Profile

Detail 6 | Detailed Drawing Of Door Rail 5412 Showing Unique Acoustic Seal 5413

Metinno's uniquely designed rail brings you a sliding door with acoustic seals on all four sides. Whether it is essential for an increased acoustic performance, or taking climate control to greater levels of achievement, this addition to the Metinno 5000 will literally close a gap that acoustic specialists and design consultants have been drawing attention to for many years.

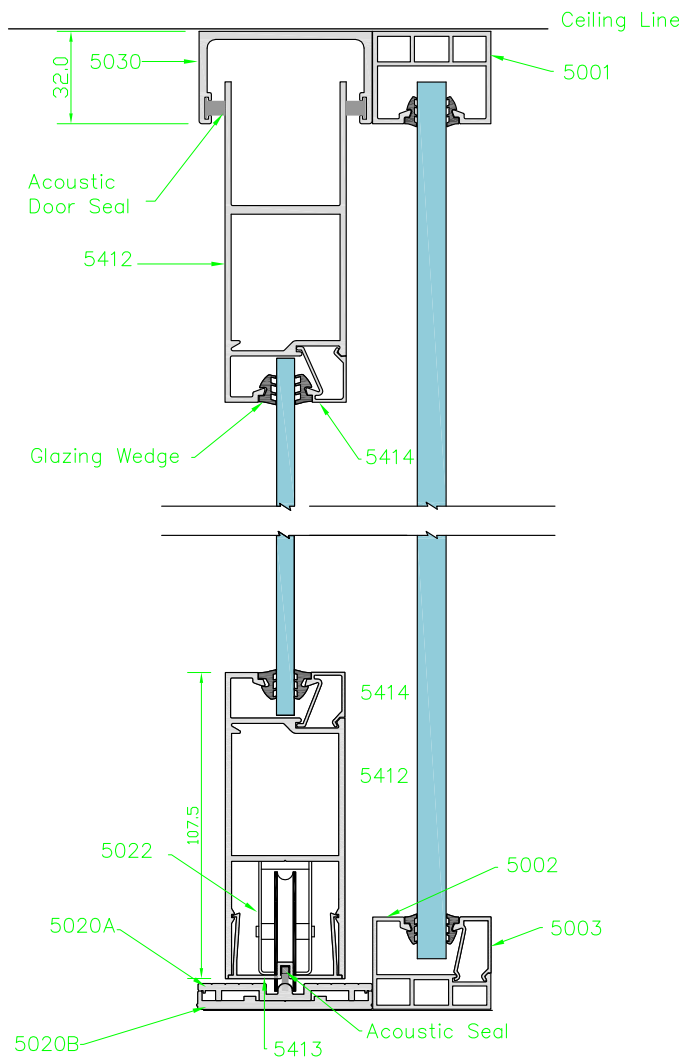
With the acoustic seal in header track and both leading and trailing edge, a significant acoustic value is already achieved. The additional acoustic seal between the base of door and wheel arch of floor track effectively completes the system.



METINNO® 5000 Series

ALUMINIUM SLIDING DOOR SYSTEM

Detail 7 | Vertical Detail of 5000 Door and Main Frame



Colour Legends

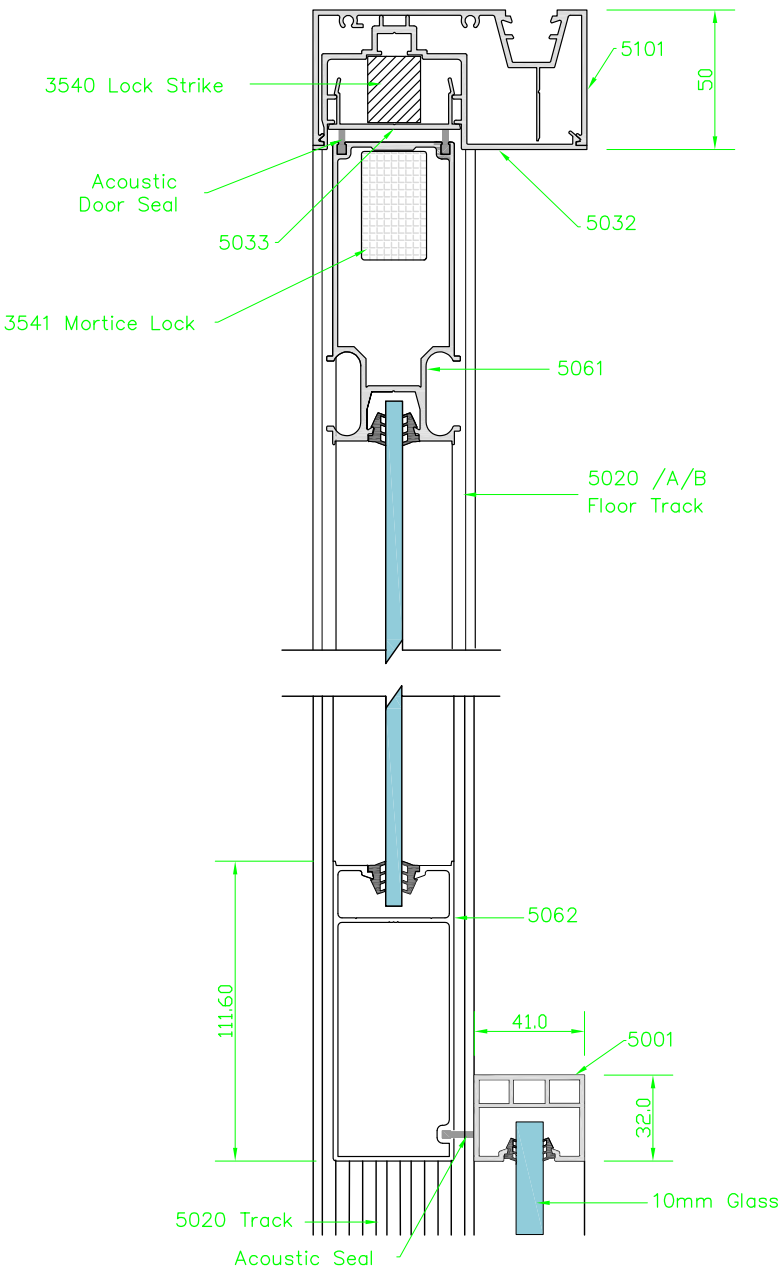
□ Aluminium Partition (face and section)

■ Steel Stud

▨ Plasterboard Profile

SLIDING DOOR CONSTRUCTION DETAILS

Detail 8 | Horizontal Detail of 5000 Door and Main Frame

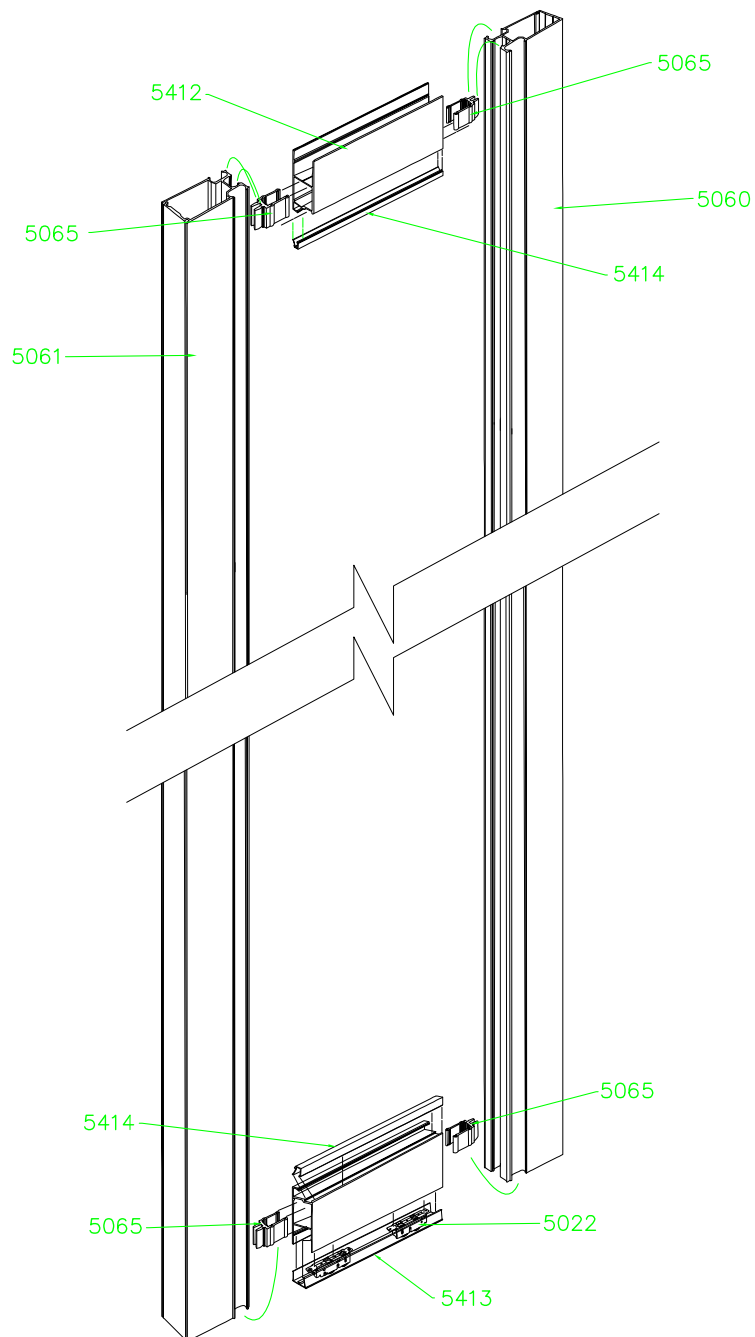


Glass
 Door
 Glazing Wedge Elevation View
 Glazing Wedge Profile
 Silicone Joint
 Timber Stud

METINNO® 5000 Series

ALUMINIUM SLIDING DOOR SYSTEM

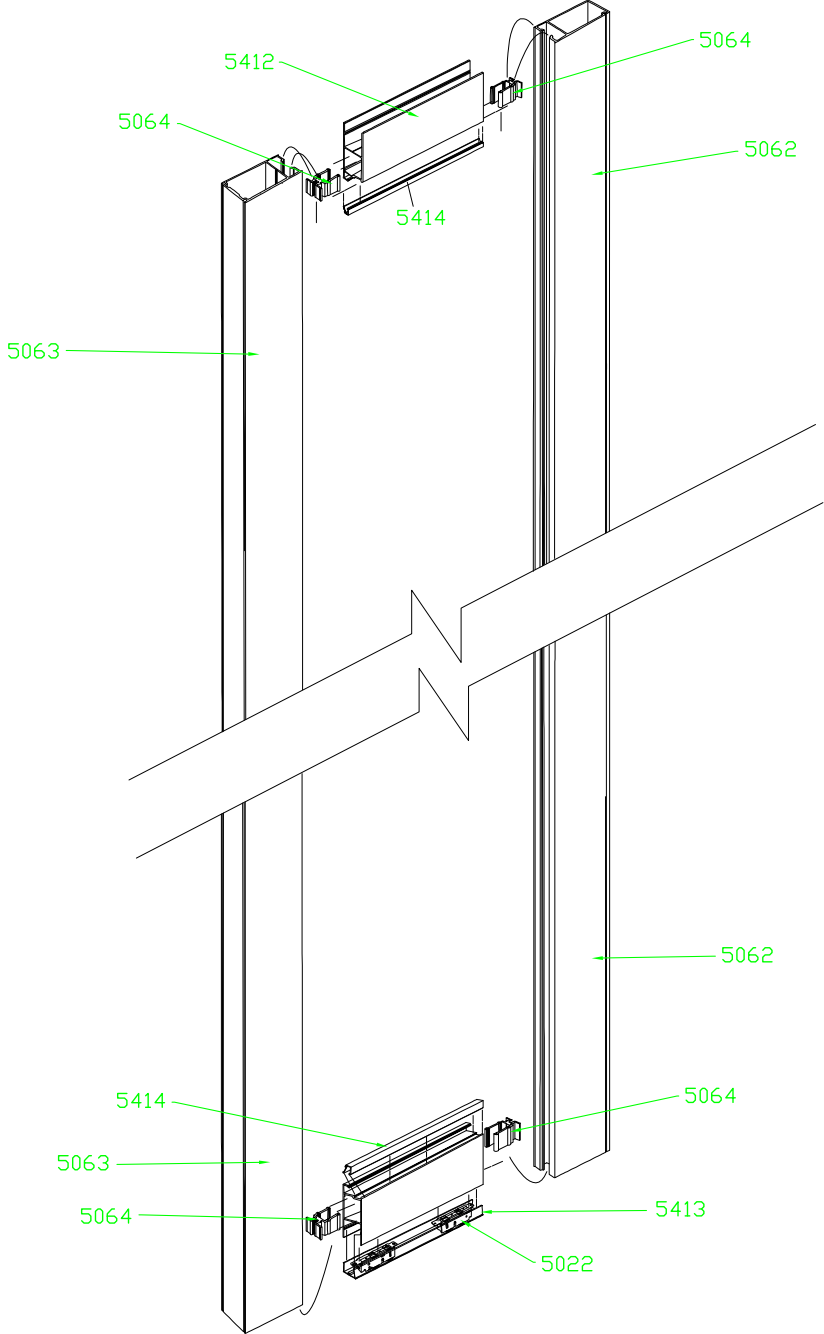
Detail 9 | Exploded View Sliding Door Integrated Handle



Colour Legends

- Aluminium Partition (face and section)
- Steel Stud
- Plasterboard Profile

Detail 10 | Exploded View Sliding Door Plain Stile

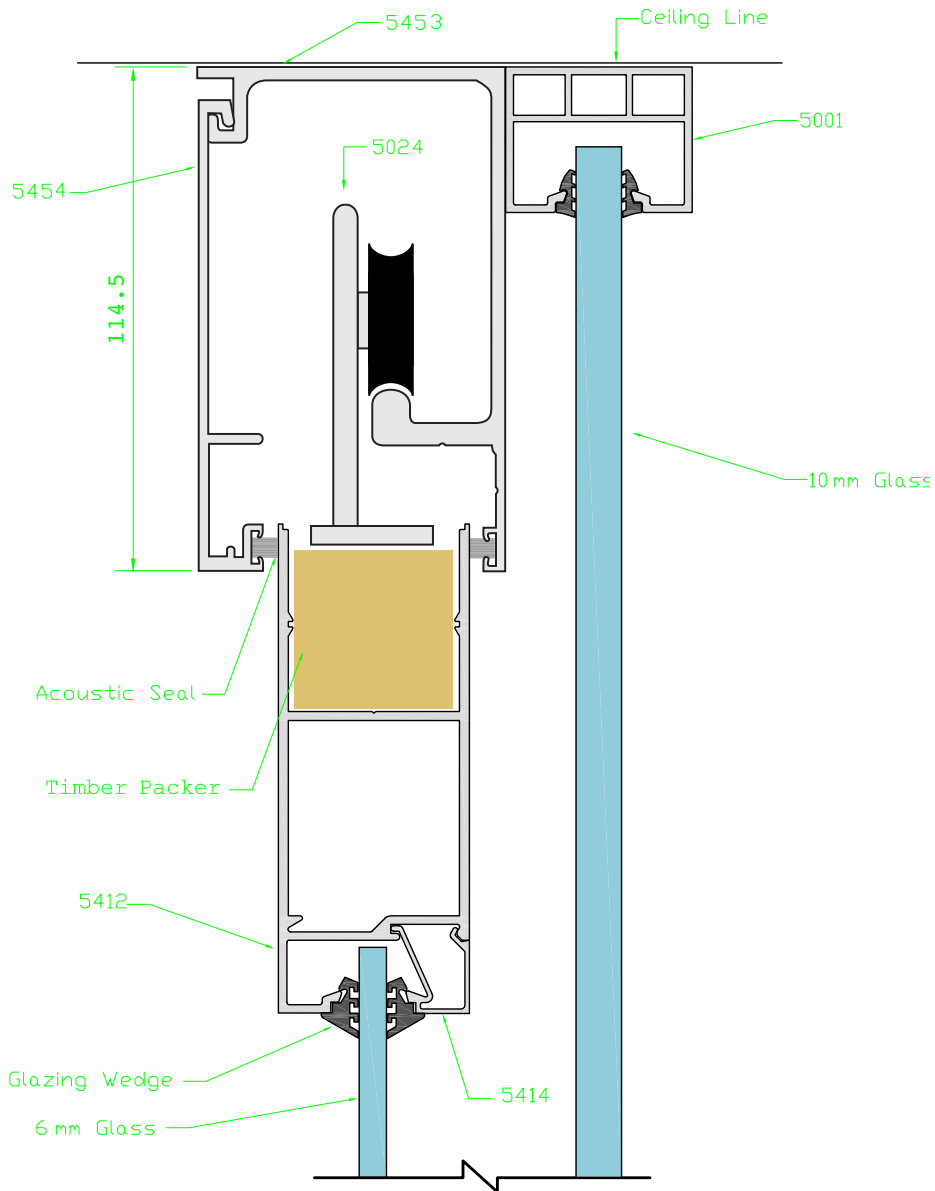


- Glass
- Door
- Glazing Wedge Elevation View
- Glazing Wedge Profile
- Silicone Joint
- Timber Stud

METINNO® 5000 Series

ALUMINIUM SLIDING DOOR SYSTEM

Detail 11A | Top Hung Vertical Detail of Heavy Duty Track, Pelmet & Roller



Colour Legends

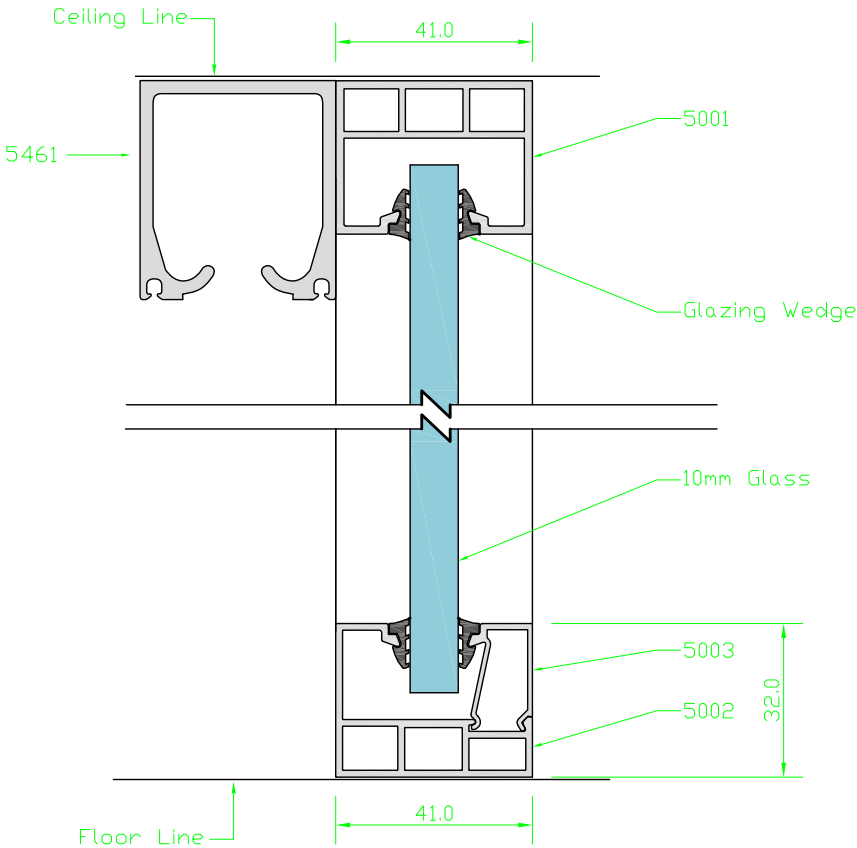
Aluminium Partition (face and section)

Steel Stud

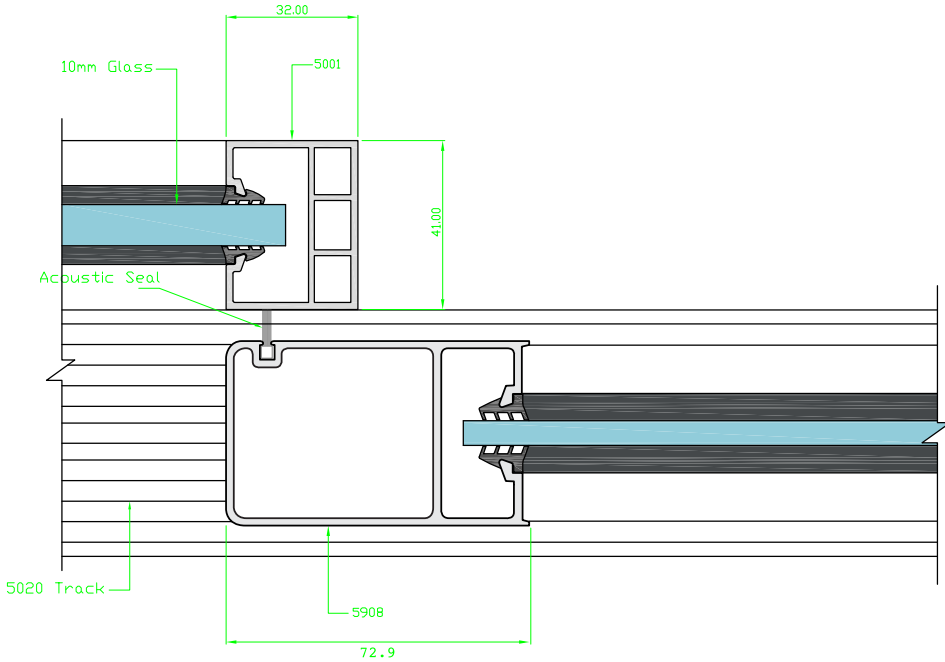
Plasterboard Profile

SLIDING DOOR CONSTRUCTION DETAILS

Detail 11B | Top Hung Vertical Detail of Light Duty Track



Detail 11C | Top Hung Horizontal Detail of Narrow Stile Side Seal



- Glass
- Door
- Glazing Wedge Elevation View
- Glazing Wedge Profile
- Silicone Joint
- Timber Stud



METINNO®

Aluminium Hinged Door Systems

Manufactured with durable components to achieve strength, Metinno Aluminium Hinged Door Systems are low maintenance while achieving high performance in high-traffic areas. Available to suit a wide variety of applications, hinged doors are designed and customised to suit a range of project requirements.

Metinno Hinged Door Systems work with almost any door hardware selection and can be manufactured to suit a standard swinging door key-lock or an automatic door opening system with an electric strike. Made from quality aluminium, Metinno hinged doors can be supplied in a range of finishes such as natural anodised, mill finish or have it powder coated to any colour.

In addition to ensuring reliable performance throughout heavy-use within commercial areas, Metinno Aluminium Hinged Door Systems deliver a contemporary look to interior spaces.

Features and Benefits:

- Custom made to suit your requirements.
- Available in wide or narrow stile options.
- Accommodates various seal options.
- Made of quality aluminium and available in natural anodised or mill finish which can be powder coated to any colour.
- Environmentally friendly product which is often recycled in the building industry.
- Accommodates most modern door hardware.
- Strong and light construction.
- Integrates with all the Metinno aluminium partitioning suites.



METINNO®

6000 Series

Aluminium Hinged Door System

- Custom made to suit your requirements
- Available in wide or narrow stile options
- Accommodates various seal options
- Available in natural anodised or mill finish for powder coating to any colour
- Environmentally friendly, recyclable product
- Accommodates most modern door hardware
- Strong and light construction
- Compliments Metinno Aluminium Partitioning



METINNO® 6000 Series

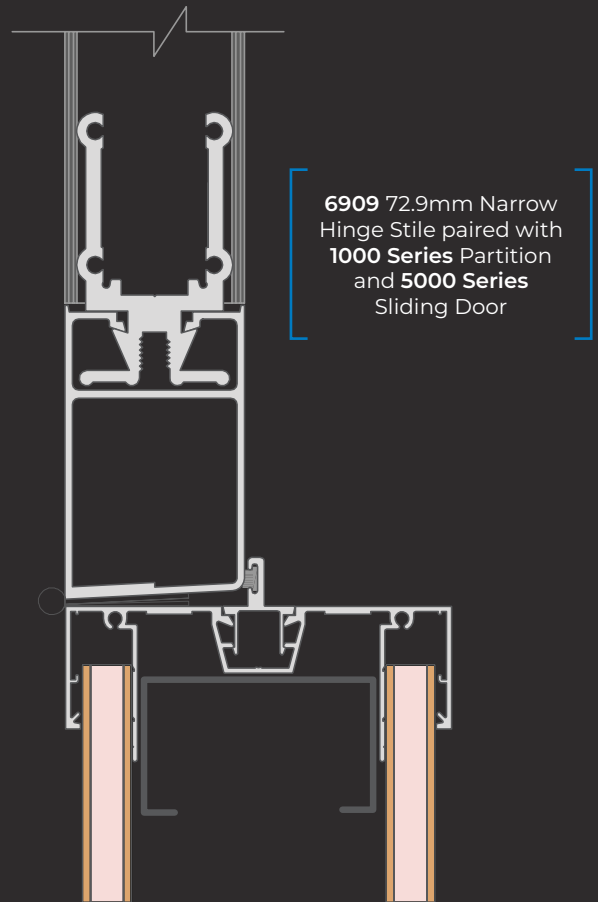
Aluminium Hinged Door System

Popular for it's customisation & seamless integration

The Metinno 6000 system aluminium hinged door has been designed and is custom-manufactured to suit your specifications and requirements for a modern look and feel.

It focuses on the same sharp lines and small radii that are achieved in the Metinno 5000 system design. The Metinno 6000 system integrates seamlessly with other Metinno partition suites giving designers the ability to maintain a consistent architectural look throughout all door and partition applications.

It works with almost any door hardware and can be manufactured to suit a standard swinging door key-lock or an automatic door opening system with an electric strike. Achieve the desired look by selecting a natural anodised or mill finish that can also be powder coated to any colour.



6000 Series

Pair with any partition series & desired door hardware

The Metinno 6000 system is available in both wide and narrow hinge stile options and can also accommodate various seal options. With it's strong and light construction, this hinged door system accommodates most modern door hardware – including electric door strikes.

All hinge stiles are reinforced to support hinge screws ensuring strength in design and construction for a superior finish.

For more product inspiration and to download CAD and Specification files visit adxarchitectural.com.au.

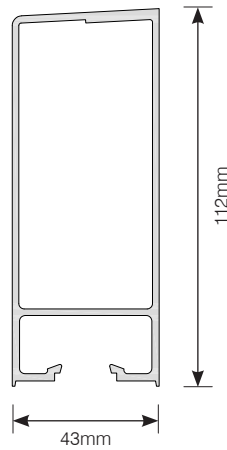


METINNO® 6000 Series

ALUMINIUM HINGED DOOR SYSTEM

6002 | 112mm Wide Hinge Stile

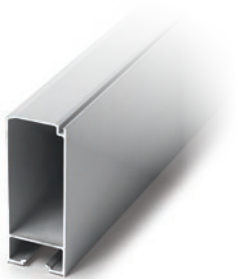
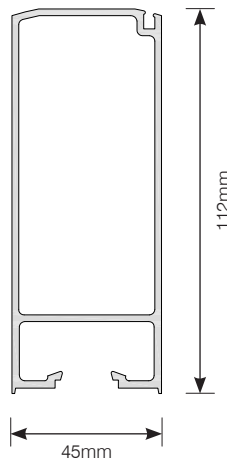
- Hinge stile for Metinno Wide Stile doors.
- Reinforced for the hinge screws.



Section	Natural Anodised Available Length (m)	Mill Finish Available Length (m)	Connects With
6002	2.8	2.8	5064

6003 | 112mm Wide Lock Stile

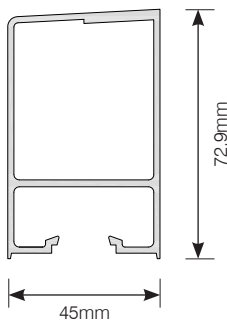
- Lock stile for Metinno Wide Stile doors.
- Section designed to take Schlegel seal to frame.



Section	Natural Anodised Available Length (m)	Mill Finish Available Length (m)	Connects With
6003	2.8	2.8	5064

6909 | 72.9mm Narrow Hinge Stile

- Hinge stile for Metinno Narrow Stile doors.
- Reinforced for the hinge screws.

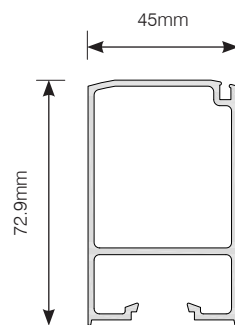


Section	Natural Anodised Available Length (m)	Mill Finish Available Length (m)	Connects With
6909	3.1	-	5064



6910 | 72.9mm Narrow Lock Stile

- Lock stile for Metinno Narrow Stile doors.
- Section designed to take Schlegel seal to frame.



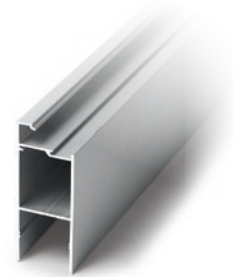
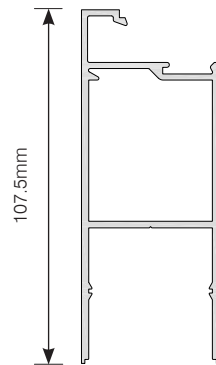
Section	Natural Anodised Available Length (m)	Mill Finish Available Length (m)	Connects With
6910	3.1	-	5064

METINNO® 6000 Series

ALUMINIUM HINGED DOOR SYSTEM

5412 | Door Rail

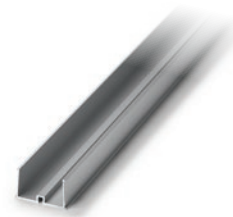
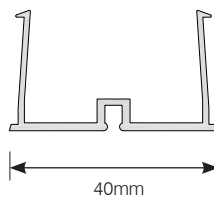
- This section is designed to accept the 5413 Acoustic Bottom Seal Adaptor for sliding and hinged doors.



Section	Natural Anodised Available Length (m)	Mill Finish Available Length (m)	Connects With
5412	2.8, 6.5	2.8, 6.5	5413, 5414, 6002, 6003, 6909, 6910

5413 | Door Seal Adaptor

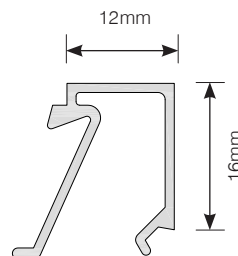
- Designed to fit Door Rail 5412 section for sliding and hinged doors.
- Schlegel seal inserts into base adaptor.



Section	Natural Anodised Available Length (m)	Mill Finish Available Length (m)	Connects With
5413	2.8	-	5412, PS13, PS16

5414 | Door Bead

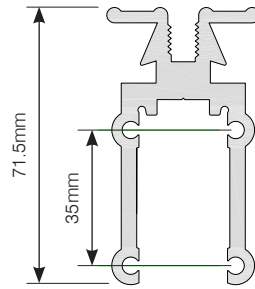
- Designed to suit 5412 section.



Section	Natural Anodised Available Length (m)	Mill Finish Available Length (m)	Connects With
5414	2.8, 6.5	-	5412

5064 | Easygrip Door Spigot

- Connects door intersections rigidly.
- Used in conjunction with 5062, 5063, 6002 and 6003 Door Stiles.



Section	Available Finish	Connects With
5064	Mill Finish	5062, 5063, 6002, 6003, 6009, 6910

PS13 | 13mm Felt Seal for Trailing Stile

- Used as an acoustic seal.
- Inserted into the aluminium profile on the trailing stile of the sliding aluminium door.

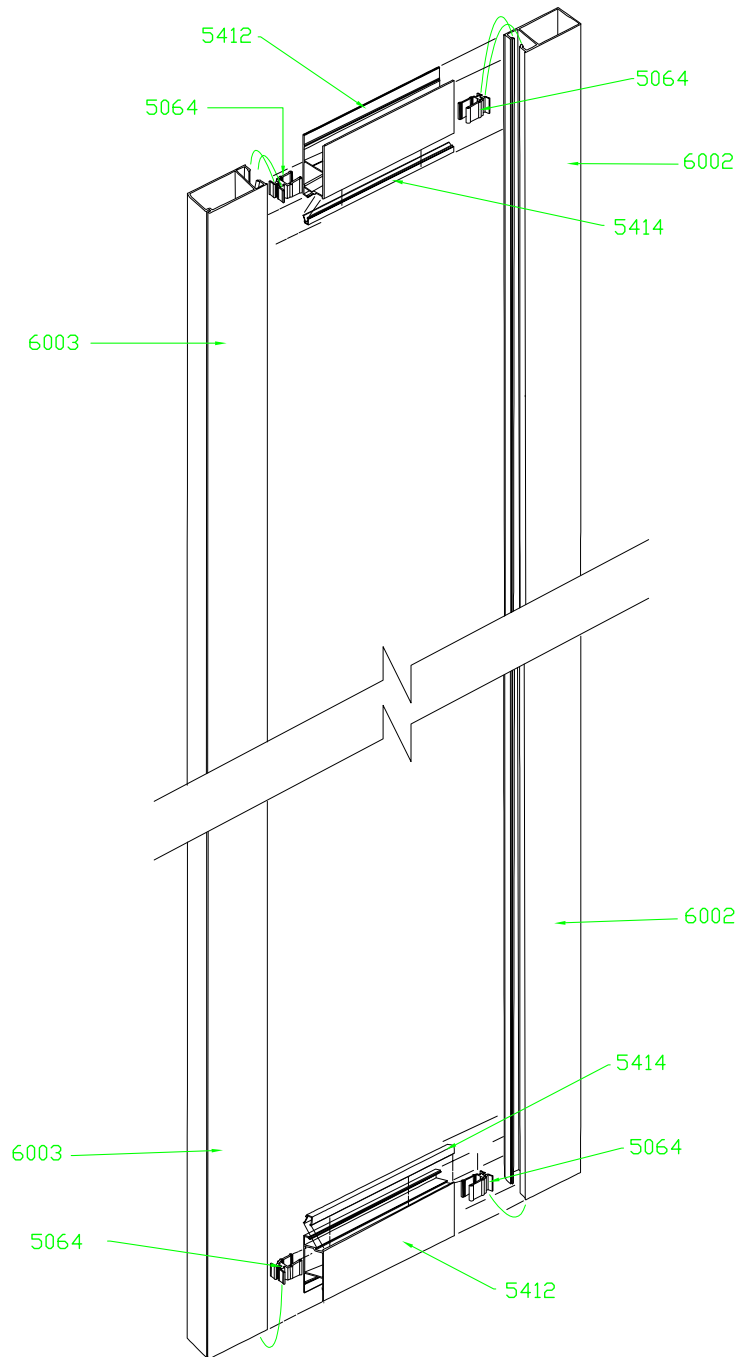


Section	Available Finish	Connects With
PS13	Grey & Black	6003, 6909

METINNO® 6000 Series

ALUMINIUM HINGED DOOR SYSTEM

Detail 1 | Exploded View of Hinged Door

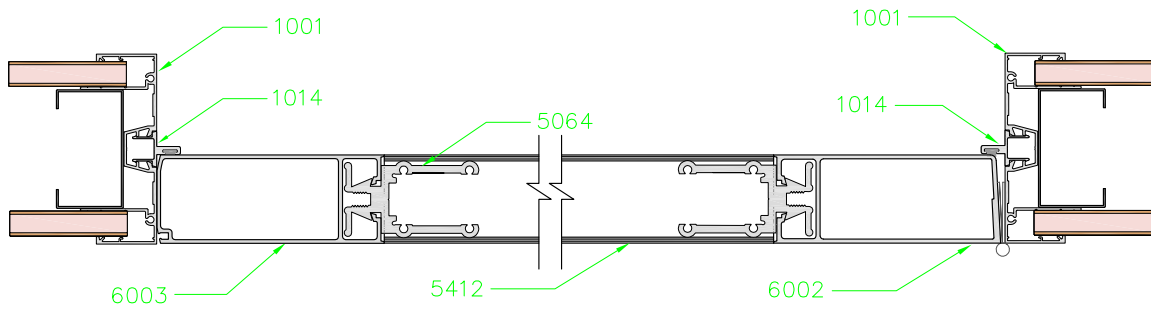


Colour Legends

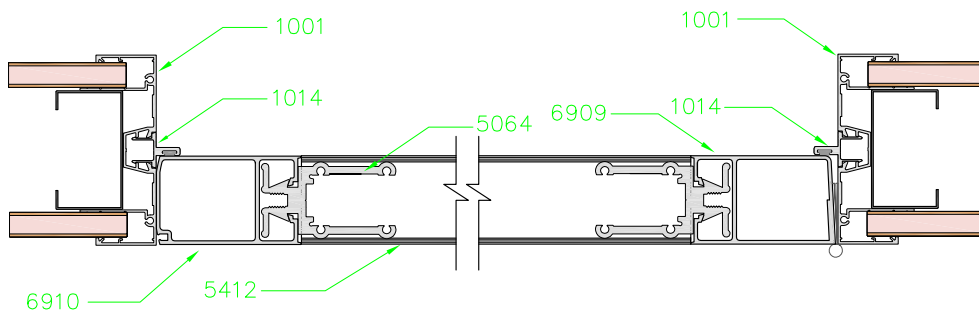
- Aluminium Partition (face and section)
- Steel Stud
- Plasterboard Profile

HINGED DOOR CONSTRUCTION DETAILS

Detail 2 | Horizontal Section of Aluminium Hinged Door and Frame



Wide Stile Hinged Door and Frame



Narrow Stile Hinged Door and Frame

Glass
 Door
 Glazing Wedge Elevation View
 Glazing Wedge Profile
 Silicone Joint
 Timber Stud



W104

METINNO®

ShadowMax® Systems

The Metinno ShadowMax products have been designed to guarantee a consistent shadowline finish accompanied with simple and efficient installation.

The ShadowMax range was designed and developed to include a wide variety of products that would create a straight and clearly defined shadowline for several popular applications accompanied with a streamlined installation process compared to conventional methods.

Features and Benefits:

- Saves time and money by reducing installation steps.
- Guaranteed perfect shadow line finish every time.
- No movement or cracking along shadowlines.
- Simple & efficient installation.
- Simplifies the painting process.



METINNO®

ShadowMax® Ceilings

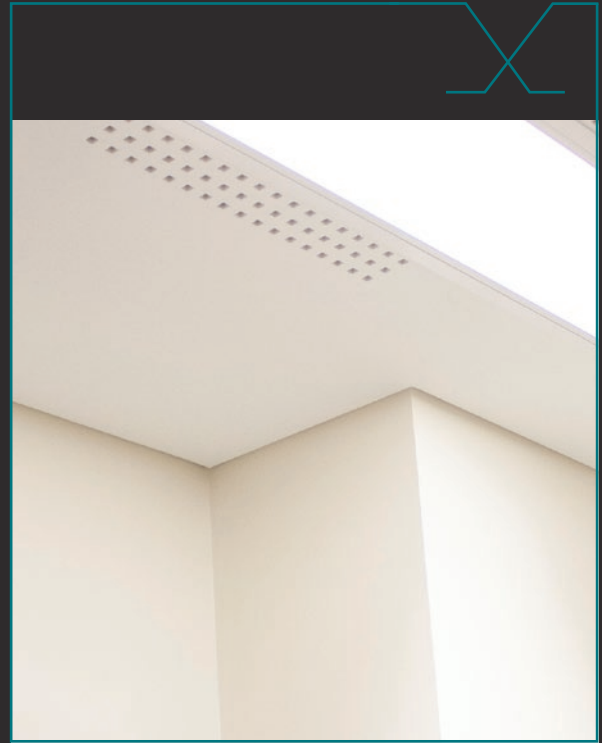
- Creates a perfect, consistent 10mm shadowline
- Structurally stronger and rigid system
- Eliminates the need of stapling bead
- Reduces installation time
- Aluminium gives a sharper & consistent finish
- Excellent for creating easy bulkhead option



Seamless shadowline for stylish ceilings

Designed to cut installation time where a shadowline is required at ceiling level, ShadowMax flush ceiling channel and furring channel track reduces installation steps and guarantees a perfect shadowline every time.

With its one-piece aluminium design, the need to staple shadowline bead up is eliminated ensuring a structurally stronger and rigid system. For one or both sides of internal walls at ceiling level, ShadowMax ceiling sections achieve much sharper and consistent shadowlines.

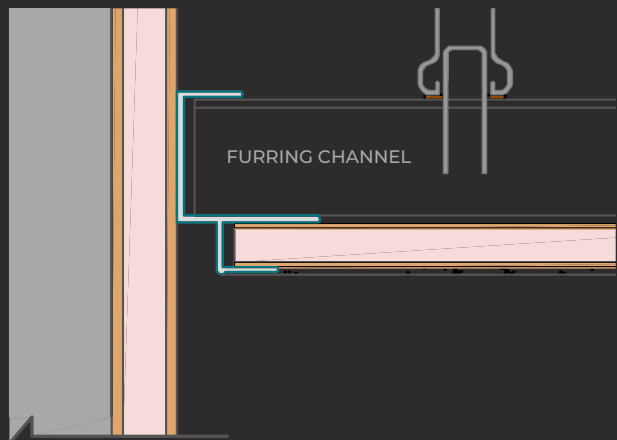
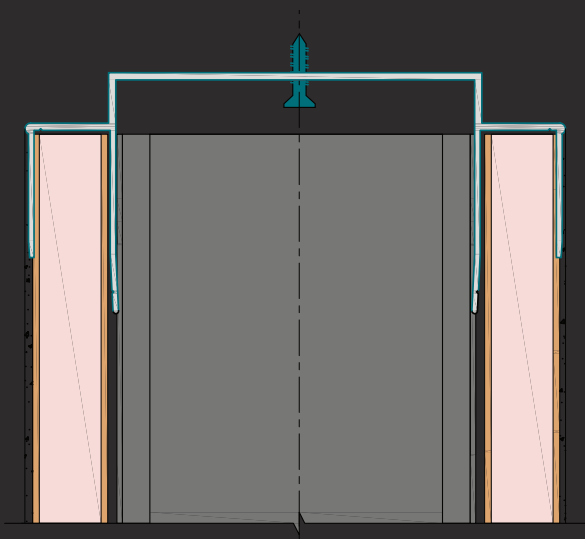


Flush Ceiling Channel

Has fins for combining the ceiling track, MDF packer and stopping bead on two sides.

Furring Channel Track

Minimal fixing points, and has fins for combining furring channel track with stopping bead.

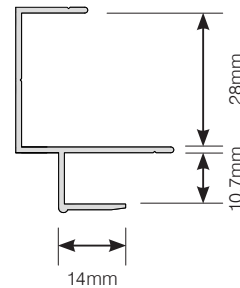




SM10 | 10mm Shadowmax Furring Channel Track

The SM10 profile has been designed to reduce installation time where a shadowline is required at ceiling level when using 10mm plasterboard.

- Allows for 10mm plasterboard.
- Combines the Furring Channel Track with the 10mm Stopping Bead in 1 profile.
- Eliminates the need of stapling shadowline bead up.
- Reduces installation time.
- Made of aluminium to give the shadow line a much sharper and consistent effect.

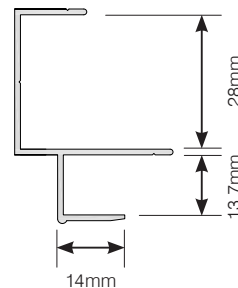


Section	Natural Anodised Available Length (m)	Mill Finish Available Length (m)
SM10	-	3.6

SM13 | 13mm Shadowmax Furring Channel Track

The SM13 profile has been designed to reduce installation time where a shadowline is required at ceiling level when using 13mm plasterboard.

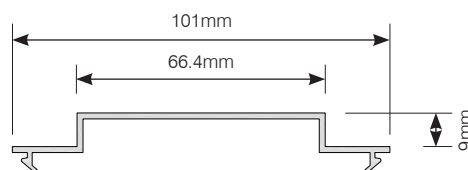
- Allows for 13mm plasterboard.
- Combines the Furring Channel Track with the Stopping Bead in 1 profile.
- Eliminates the need of stapling shadowline bead up.
- Reduces installation time.
- Made of aluminium to give the shadowline a much sharper and consistent effect.



Section	Natural Anodised Available Length (m)	Mill Finish Available Length (m)
SM13	-	3.6

1017 | Shadowline Ceiling Adaptor

- Incorporates a shadowline.
- Easy installation.
- Enhances acoustic qualities when clipped into the back of the Main Frames.

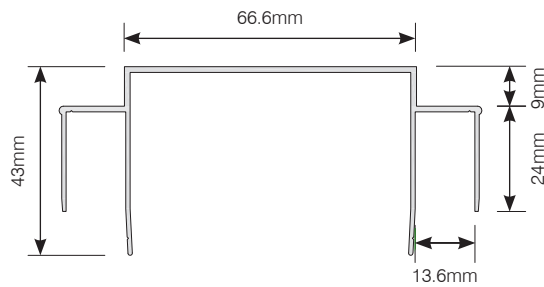
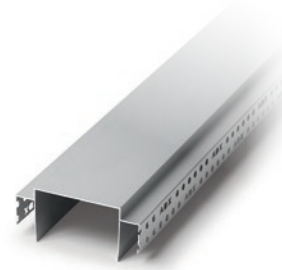


Section	Natural Anodised Available Length (m)	Mill Finish Available Length (m)	Connects With
1017	2.8	-	1000, 1000DP, 1001, 1009, 2000, 2000D, 5101, 5201

SM64 | Shadowmax Flush Ceiling Channel

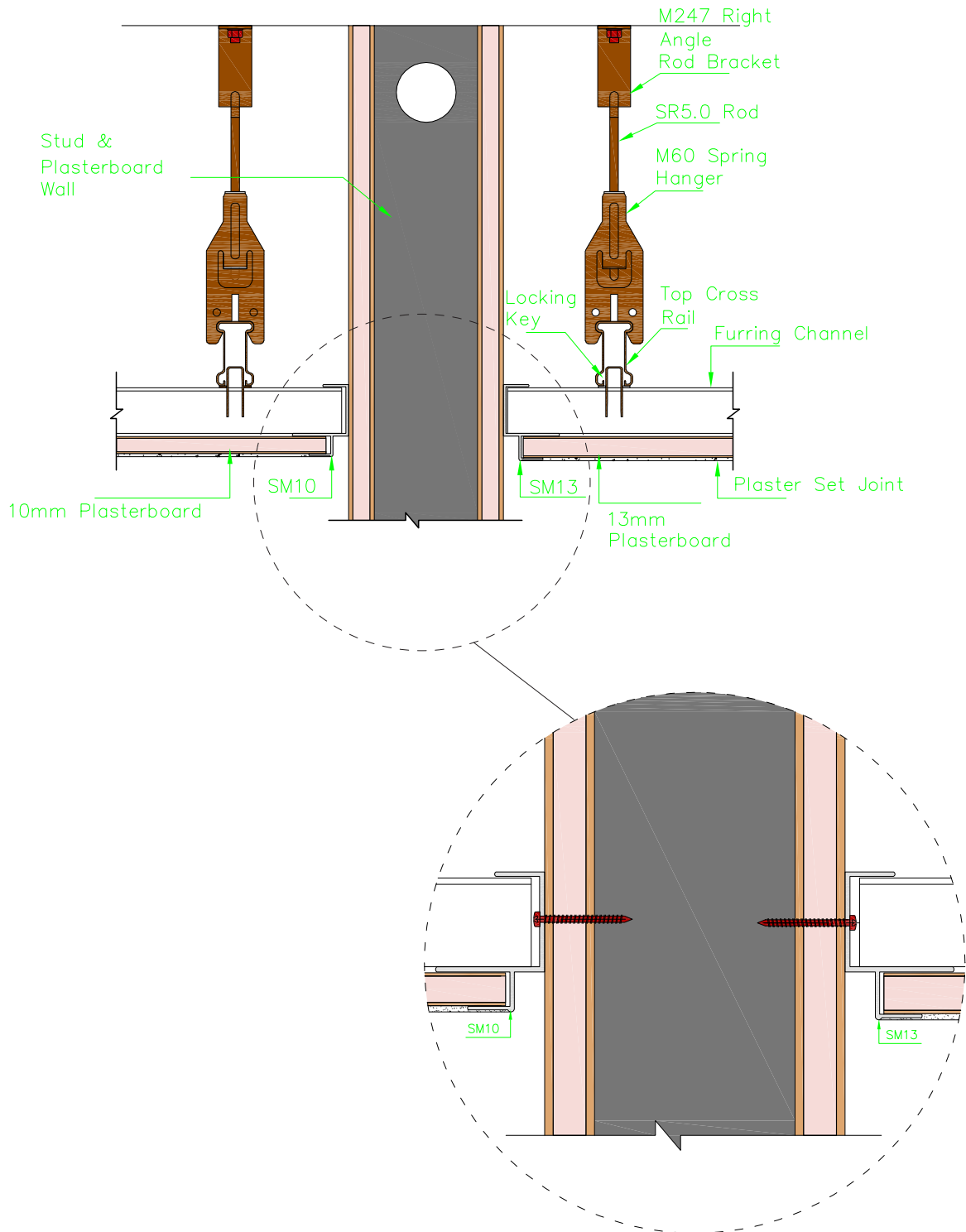
The SM64 profile has been designed to reduce installation time where a shadowline is required on both sides of an internal wall at ceiling level when using 64mm stud and 13mm plasterboard.

- Allows for 64mm stud with a layer of 13mm plasterboard each side.
- Combines the ceiling track, MDF packer and 10mm Stopping Bead either side with use of 1 profile.
- Structurally stronger and rigid system.
- Eliminates the need of stapling shadowline bead up.
- Reduces installation time.
- Made of aluminium to give the shadowline a much sharper and consistent effect.



Section	Natural Anodised Available Length (m)	Mill Finish Available Length (m)
SM64	-	3.6

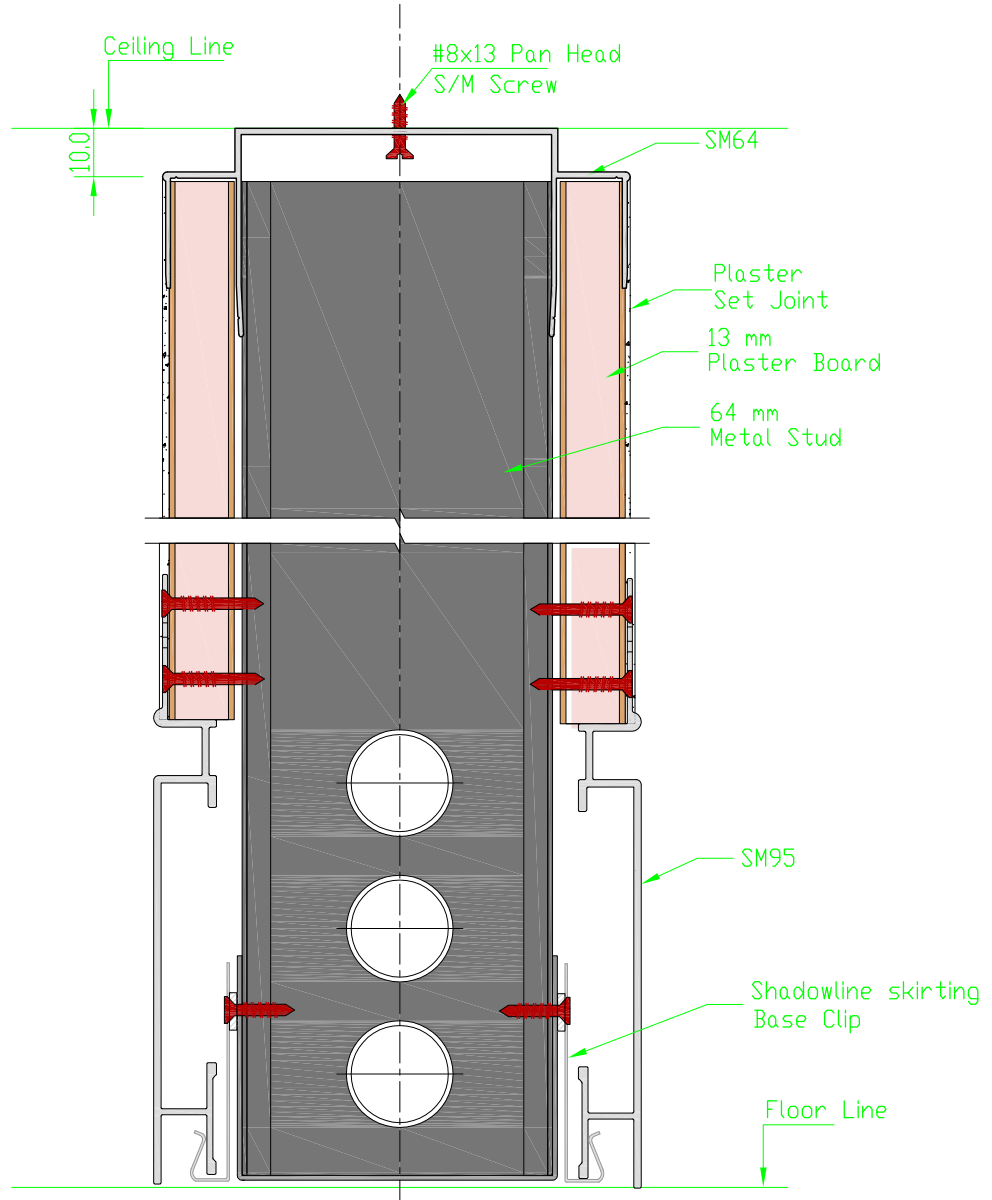
Detail 1 | Vertical Section Drawing of SM10 & SM13 in Suspended Ceiling



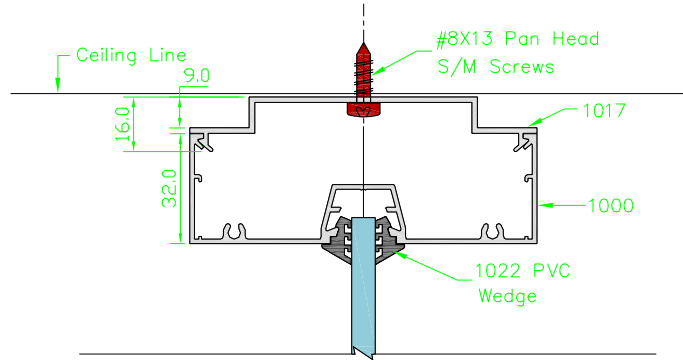
Colour Legends

- Aluminium Partition (face and section)
- Steel Stud
- Plasterboard Profile

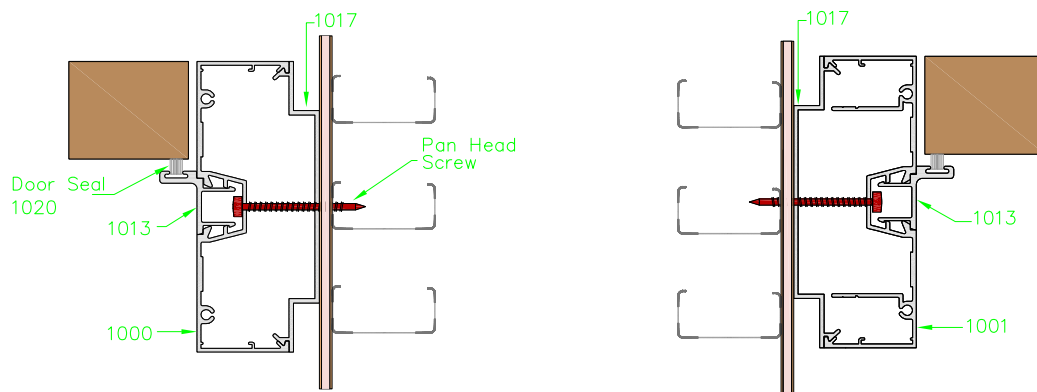
Detail 2 | Vertical Section Drawing of SM64 Shadowmax Detail at Ceiling



Detail 5 | Vertical Section Drawing of 1017 at Ceiling



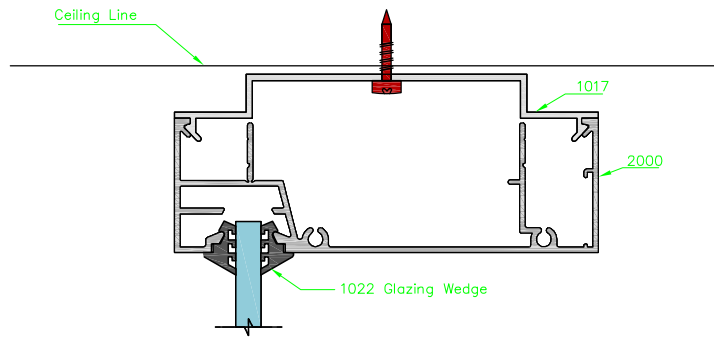
Detail 6 | Horizontal Section Drawing of 1017 at Wall with Either 1000 or 1001



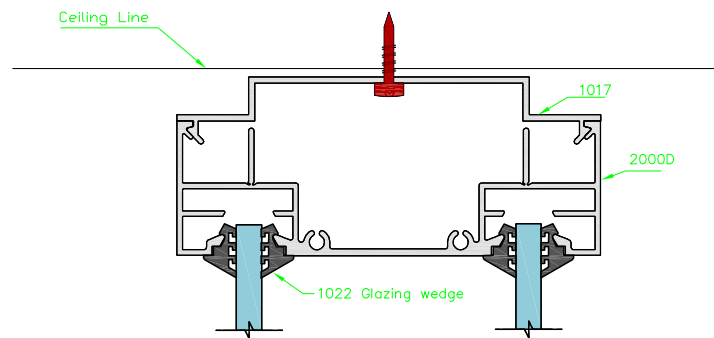
Colour Legends

- Aluminium Partition (face and section)
- Steel Stud
- Plasterboard Profile

Detail 7 | Vertical Section Drawing of 1017 Used with Glazing Section at Ceiling

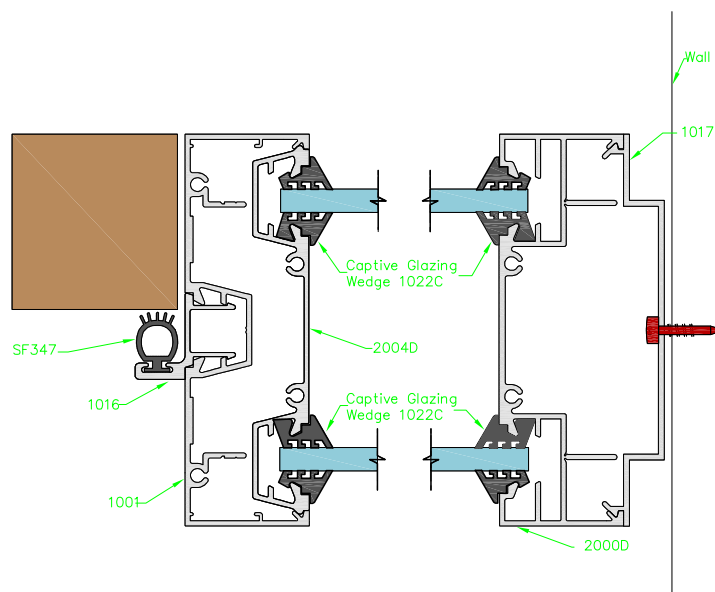


With single glass partition



With double glass partition

Detail 8 | Horizontal Section Drawing of 1017 Used with Glazing Section at Wall



- Glass
- Door
- Glazing Wedge Elevation View
- Glazing Wedge Profile
- Silicone Joint
- Timber Stud



MAKING SPACE USEFUL

METINNO®

ShadowMax® Door Frame

- Creates a 10mm shadowline flush to the wall
- One-piece design ensures strength
- Gives a consistent line that is straight and true
- Simple and easy installation
- Single or double sided solution available
- Works in conjunction with Metinno aluminium door frames



Frame doors with perfect parallel lines

Achieving modern shadowlines around door frames has never been easier! With its one-piece design, the ShadowMax Door Jamb Adaptor reduces installation time where a shadowline is required around door jambs on both sides when using 64mm stud and 13mm plasterboard. It is also perfect to use in conjunction with the Metinno 1000 series aluminium door frames.

The aluminium section combines the MDF packer and 10mm stopping bead in one profile eliminating the need to staple shadowline bead.

Made from aluminium, the section provides a sharper and consistent shadowline effect.

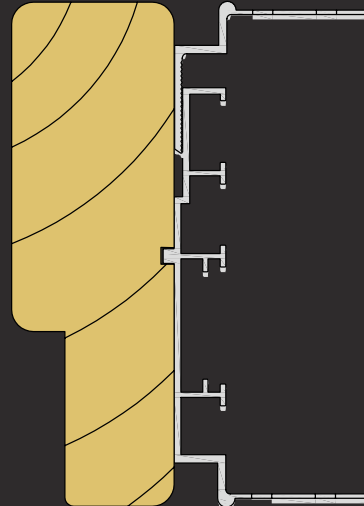
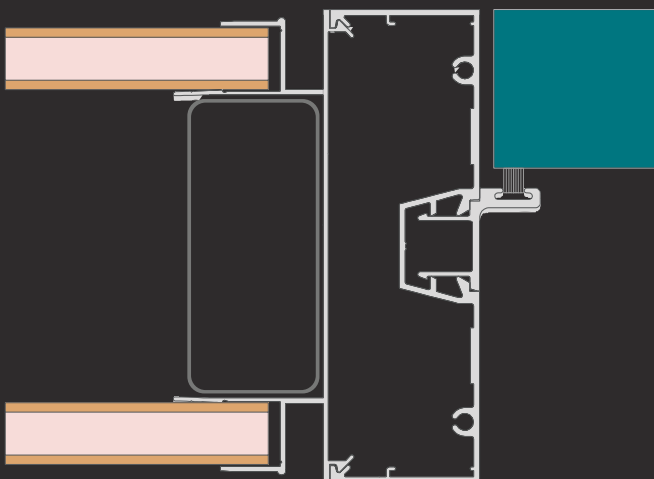
If a shadowline is only required on one side of a door frame, the ShadowMax Single Rebate Timber Jamb is the ideal solution. Supplied with shadowline trims attached to the timber jamb, this product ensures shadowlines are constructed defect free. It is available with a concealed hinge system with three-way adjustment.

Door Jamb Adaptor

- Allows for 13mm Plasterboard
- Eliminates the need for MDF packer and stopping beads
- Eliminates the need of stapling shadowline
- Reduces installation time
- Used in conjunction with Metinno 1000 system aluminium door frames
- Made of aluminium to give the shadowline a much sharper and consistent finish

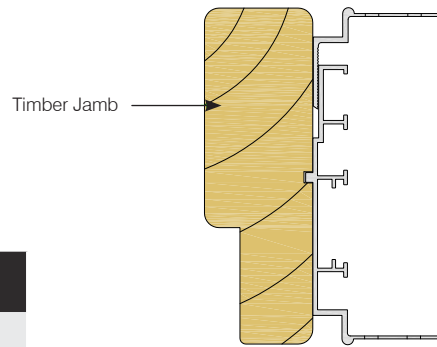
Single Rebate Timber Jamb

- Supplied with shadowline trims attached to timber jamb
- Single rebate design jamb
- Perfect shadowlines every time
- Also available with hinge system that is totally concealed



SMRTJ | Shadowmax Single Rebate Timber Jamb

- Supplied with shadowline trims attached to timber jamb.
- Single rebate design jamb.
- Perfect shadow lines every time.
- Also available with hinge system that is totally concealed.

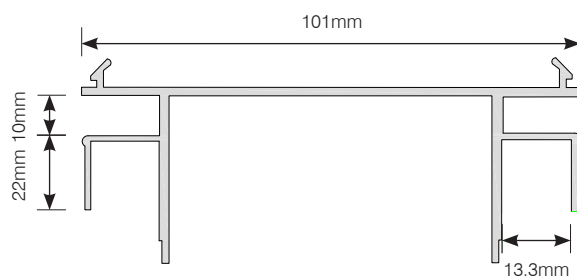
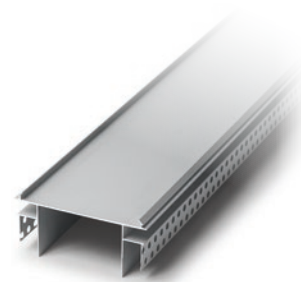


Section	Available Finish
SMRTJ	Finger Jointed Pine/Aluminium

SM64DJA | Shadowmax Door Jamb Adaptor

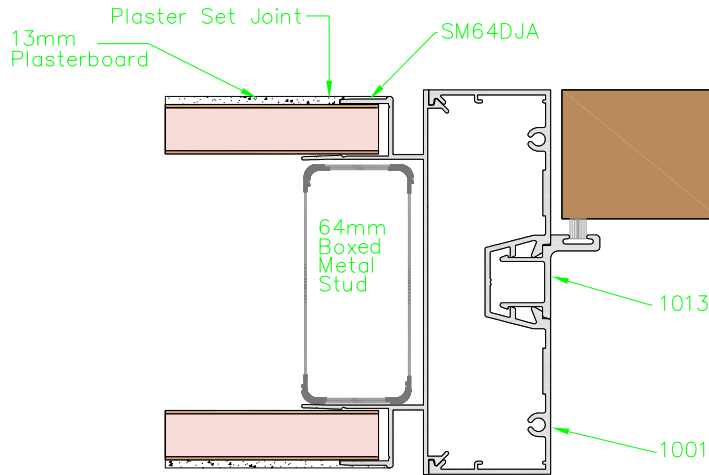
The SM64DJA profile has been designed to reduce installation time where a shadowline is required around aluminium door frames when using 64mm stud and 13mm plasterboard.

- Allows for 13mm plasterboard.
- Combines the MDF packer and 10mm Stopping Bead in 1 profile.
- Eliminates the need of stapling shadowline bead up.
- Reduces installation time.
- Used in conjunction with Metinno 1000 aluminium door frames.
- Made of aluminium to give the shadowline a much sharper and consistent finish.

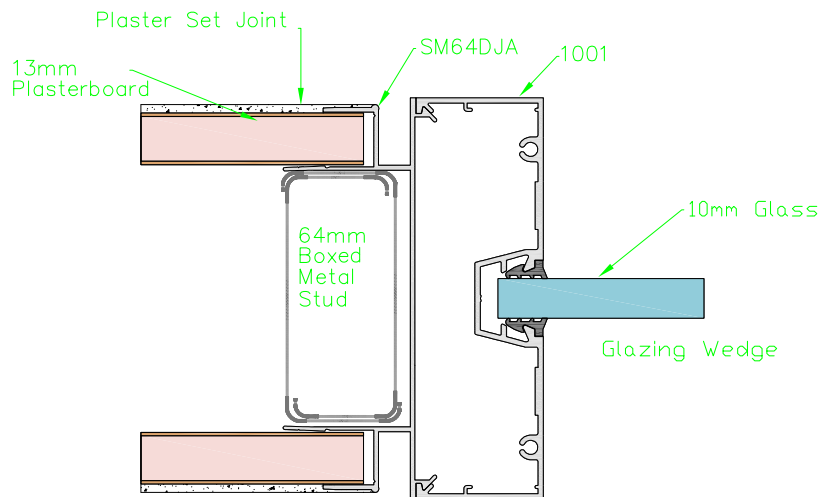


Section	Natural Anodised Available Length (m)	Mill Finish Available Length (m)
SM64DJA	2.8	-

Detail 3 | Horizontal Section Drawing of Shadowmax SM64DJA



Attached to aluminium doors

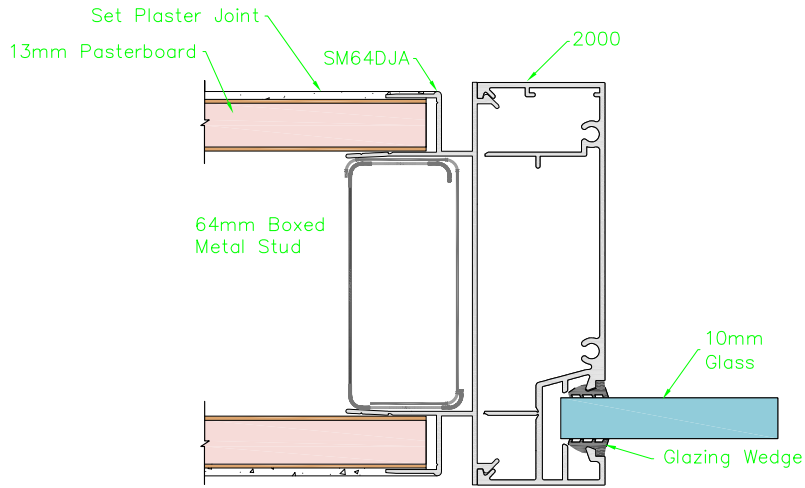


Attached to aluminium window frames

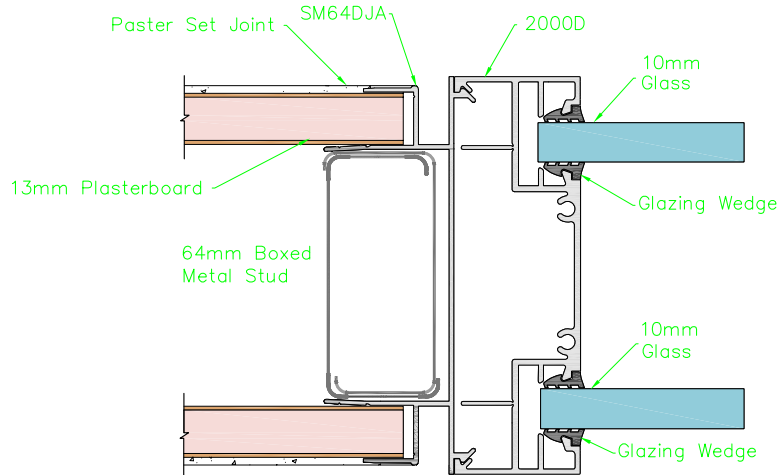
Colour Legends

-  Aluminium Partition (face and section)
-  Steel Stud
-  Plasterboard Profile

Detail 4 | Section Drawing of SM64DJA with Glazing Section in Stud and Plasterboard Wall



With single glass partition



With double glass partition



MAKING SPACE USEFUL

METINNO®

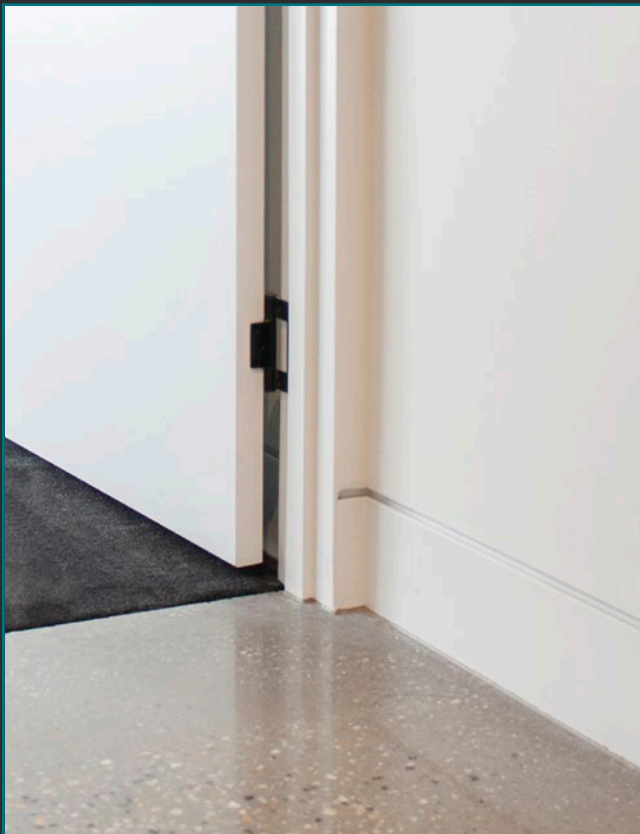
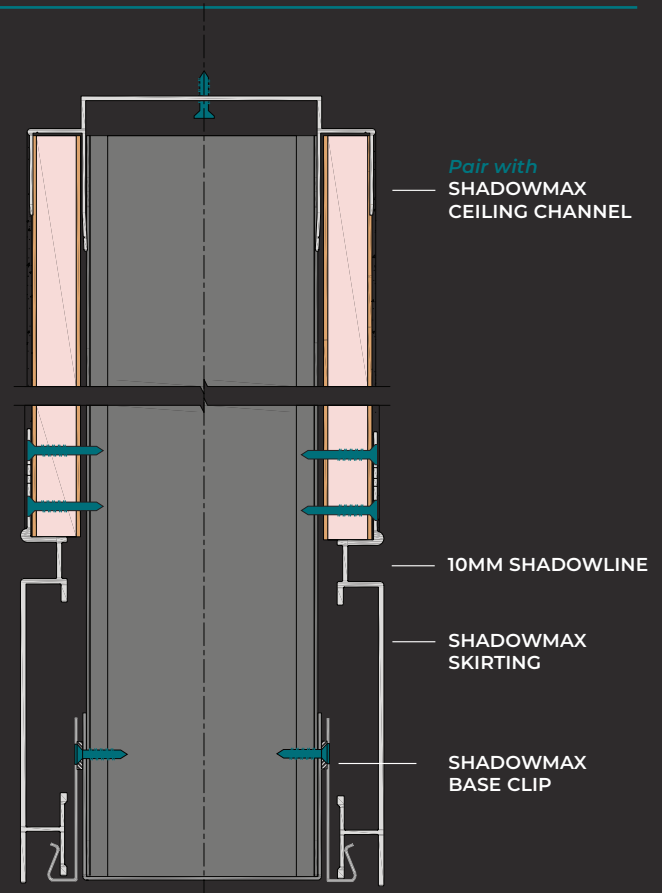
ShadowMax® Skirting

- Creates a 10mm shadowline flush to the wall
- Gives a consistent line that is straight and true
- Simple and easy installation
- System includes joiners and clips
- Chromated surface ready for painting
- Designed to compliment the ShadowMax Jamb



Contemporary skirting that achieves clean shadowlines

Metinno ShadowMax products have been designed to guarantee a consistent shadowline finish accompanied with an easy and efficient installation process. ShadowMax products provide a consistent shadowline system for ceiling, door, skirting and wall intersections. The SM95 and SM135 profiles have been designed to give perfect parallel lines and reduce installation time where a 10mm shadowline is required. The aluminium skirting is used to achieve a modern and contemporary appearance.



ShadowMax® Skirting

One-piece design ensures strength & easy installation

Eliminating the need to use a variety of metal sections and creating a simple installation process, the one-piece design of ShadowMax Skirting meets challenges that existing metal shadowline trims can't fulfill. Achieving strong, consistent lines that are straight and true is guaranteed while installation time is reduced saving money on labour.

ShadowMax Skirting creates a resilient aluminium skirting with a 10mm shadowline that is flush to the wall. The chromated aluminium finish provides a key surface for easy painting. This system is designed to compliment the ShadowMax Door Jamb for a quality finish.

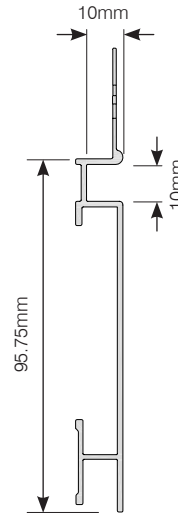


SM95 | 95mm Shadowmax Skirting

The SM95 profile has been designed to give perfect parallel lines and reduce installation time where a 10mm shadowline is required. The aluminium skirting is used to achieve a modern and contemporary appearance.

- Creates a resilient aluminium skirting with a 10mm shadowline that is flush to the wall.
- Meets the challenges that existing metal shadowline trims can't fulfil.
- Gives a consistent line that is straight and true.
- Simple and easy installation.
- System includes: External corner joiners, straight joiners for sections longer than 4800mm and stud clips to secure base firmly.
- Improved end result.
- Chromated to provide key for surface painting.
- Designed to compliment the ShadowMax Jamb.

Section	Mill Finish (Chromated) Available Length (m)
SM95	4.8

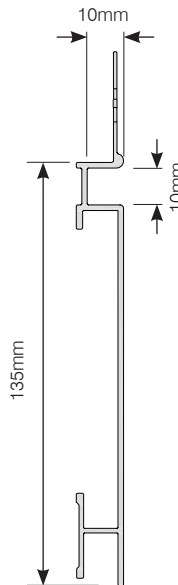


SM135 | 135mm Shadowmax Skirting

The SM135 profile has been designed to give perfect parallel lines and reduce installation time where a 10mm shadowline is required. The aluminium skirting is used to achieve a modern and contemporary appearance.

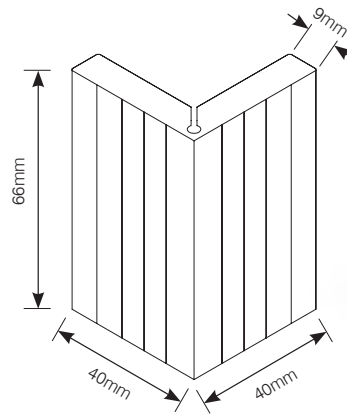
- Creates a resilient aluminium skirting with a 10mm shadowline that is flush to the wall.
- Meets the challenges that existing metal shadowline trims can't fulfil.
- Gives a consistent line that is straight and true.
- Simple and easy installation.
- System includes: External corner joiners, straight joiners for sections longer than 4800mm and stud clips to secure base firmly.
- Improved end result.
- Chromated to provide key for surface painting.
- Designed to compliment the ShadowMax Jamb.

Section	Mill Finish (Chromated) Available Length (m)
SM135	4.8



SMSEJ | Shadowmax Shadowline Skirting External Corner Joiner

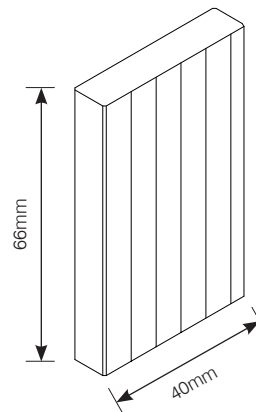
- Concealed plastic inserts are used for external corner joining of SM95 skirting.
- Internal corners only require base clips for attachment.



Section	Available Finish
SMSEJ	Black Plastic

SMSFJ | Shadowmax Shadowline Skirting Flat Joiner

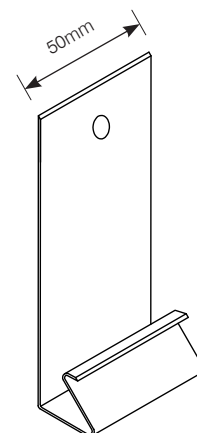
- Concealed plastic insert joiners are only required where any section of wall is longer than the 4800mm length that the SM95 is available in.
- Joint is easily finished off by the painter.



Section	Available Finish
SMSFJ	Black Plastic

SMBC | Shadowmax Shadowline Skirting Base Clip

- Clips are easily screwed to base of every stud.
- Skirting slots into each clip and can then be screwed to wall system through the flushing section.
- Once flushed all fixings completely concealed.



Section	Available Finish
SMBC	Steel



METINNO®

Aluminium Skirting

Adding style and durability, Metinno Aluminium Skirting maintains a quality finish.

The aluminium skirting range ensures quality is achieved and maintained throughout all spaces, right down to small details. With a variety of finishes to select from, the skirting is available in two standard heights but can be cut down or guillotined to a desired size.

Features and Benefits:

- Tough surface for office conditions.
- Natural anodised finish so no painting required.
- Variety of fixing methods to suit any application.
- Can be powder coated or painted to suit decor.



METINNO®

Aluminium Skirting

- Tough surface for office conditions
- Available in natural anodised, brushed aluminium or mill finish for powder coating to any colour
- Variety of fixing methods to suit any application





METINNO® Aluminium Skirting

Sturdy skirting to suit any office condition

The selections of Metinno Aluminium Skirting profiles have great durability in high-traffic areas while maintaining a quality finish. The range facilitates a durable finish to protect walls and provides an aesthetically pleasing finish line between wall coatings and floor finishes. Available in natural anodised, brushed aluminium or powder coated finishes.

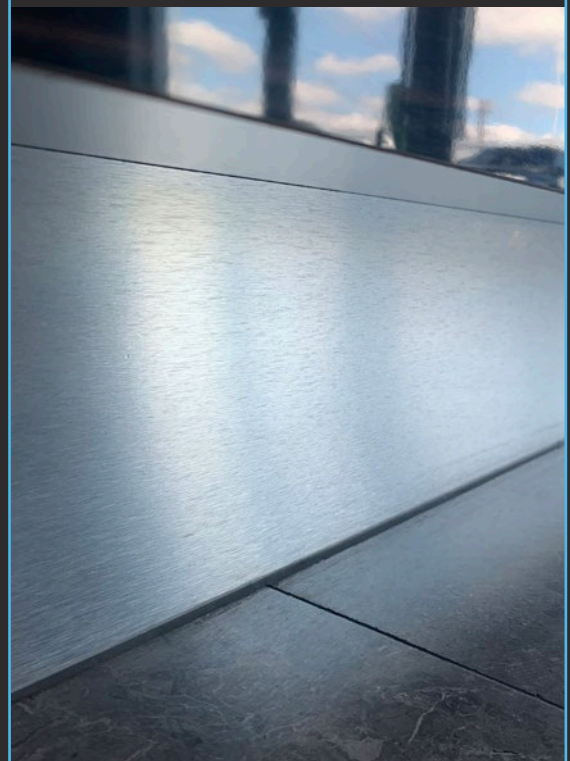
Screw Fix

Contemporary skirting with recessed pocket for screw installation that is then concealed by grey or black cover strip in vinyl.

Adhesive Fix

Simply elegant flat skirting for modern clean-line appearance with good resilience and impact resistance.

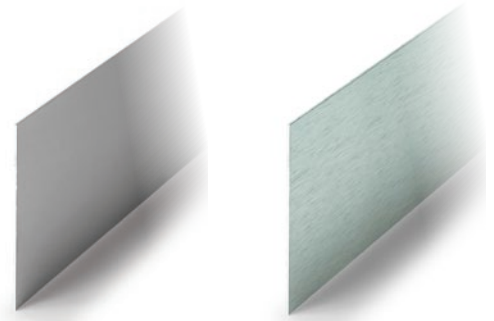
BRUSHED FINISH - ADHESIVE FIX
ALUMINIUM SKIRTING



1026 | Aluminium Skirting Adhesive Fix 100mm

Simply elegant flat skirting for modern clean-line appearance with good resilience and impact resistance.

- Requires minimal maintenance.
- Simply attach with contact adhesive.
- Available in 3 finishes - natural anodised, brushed aluminium & mill finish which can be powder coated to any colour.

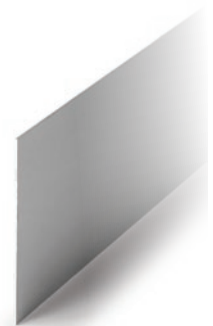


Section	Natural Anodised Available Length (m)	Mill Finish Available Length (m)	Brushed Available Length (m)
1026	3.6	3.6	3.6

1027 | Aluminium Skirting Adhesive Fix 150mm

Simply elegant flat skirting for modern clean line appearance with good resilience and impact resistance.

- Requires minimal maintenance.
- Simply attach with contact adhesive.
- Can be powder coated.



Section	Natural Anodised Available Length (m)	Mill Finish Available Length (m)
1027	3.6	3.6

SCT | Skirting Cover Tape

- Provided for screw fix skirting to conceal the screws once installed.
- Inserts simply into the slots provided.
- Grey cover tape complements a minimalist look, as it blends well with the skirting colour.
- Black cover tape provides a smart contrasting feature line around the skirting.



Section	Available Colours
SCT	Grey, Black

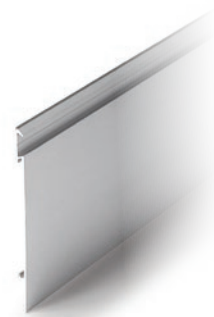
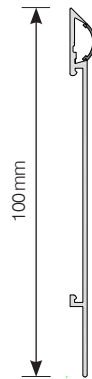
METINNO® Aluminium Skirting

SCREW & ADHESIVE FIX

1025 | Aluminium Skirting Screw Fix 100mm

Contemporary skirting with recessed pocket for screw installation that is then concealed by grey or black cover strip in vinyl.

- Very robust because of recessed pocket.
- Easy screw attachment into studs.
- Black infill strip creates attractive feature & conceals fixings.
- Grey infill strip option for minimalist effect.
- Available in mill finish and natural anodised.
- Corner posts assist in easy installation.



Section	Natural Anodised Available Length (m)	Mill Finish Available Length (m)	Connects With
1025	3.6	3.6	SC100, SCTG, SCTB

1028 | Aluminium Skirting Screw Fix 150mm

Contemporary skirting with recessed pocket for screw installation that is then concealed by grey or black cover strip in vinyl.

- Very robust because of recessed pocket.
- Easy screw attachment into studs.
- Black infill strip creates attractive feature & conceals fixings.
- Grey infill strip option for minimalist effect.
- Available in mill finish and natural anodised.
- Corner posts assist in easy installation.



Section	Natural Anodised Available Length (m)	Mill Finish Available Length (m)	Connects With
1028	3.6	3.6	SC150, SCTG, SCTB

SC | Skirting Corner 100mm - 150mm

- Simplifies the finishing off of external corners.
- Tabs slide into meeting sections and neatly keep corner together.
- Corners can be cut down to suit smaller skirting.
- Can be used in reverse for internal corners.



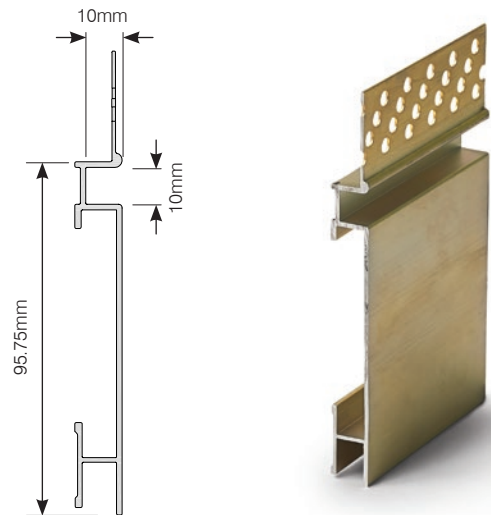
Section	Grey Available Length (mm)	Black Available Length (mm)	Connects With
SC	100, 150	150	1025, 1028

SM95 | 95mm Shadowmax Skirting

The SM95 profile has been designed to give perfect parallel lines and reduce installation time where a 10mm shadowline is required. The aluminium skirting is used to achieve a modern and contemporary appearance.

- Creates a resilient aluminium skirting with a 10mm shadowline that is flush to the wall.
- Meets the challenges that existing metal shadowline trims can't fulfil.
- Gives a consistent line that is straight and true.
- Simple and easy installation.
- System includes: External corner joiners, straight joiners for sections longer than 4800mm and stud clips to secure base firmly.
- Improved end result.
- Chromated to provide key for surface painting.
- Designed to compliment the ShadowMax Jamb.

Section	Mill Finish (Chromated) Available Length (m)
SM95	4.8

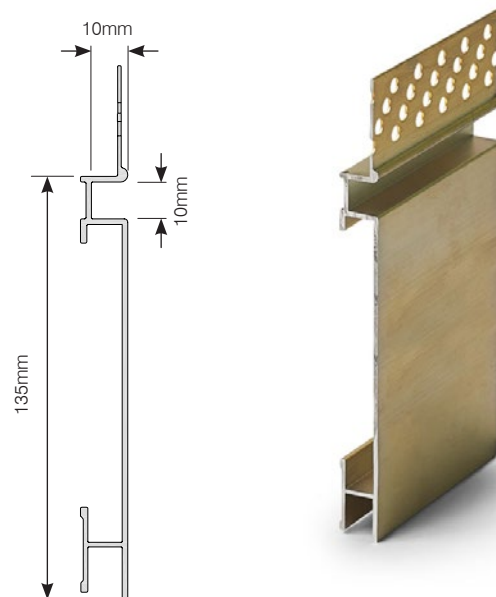


SM135 | 135mm Shadowmax Skirting

The SM135 profile has been designed to give perfect parallel lines and reduce installation time where a 10mm shadowline is required. The aluminium skirting is used to achieve a modern and contemporary appearance.

- Creates a resilient aluminium skirting with a 10mm shadowline that is flush to the wall.
- Meets the challenges that existing metal shadowline trims can't fulfil.
- Gives a consistent line that is straight and true.
- Simple and easy installation.
- System includes: External corner joiners, straight joiners for sections longer than 4800mm and stud clips to secure base firmly.
- Improved end result.
- Chromated to provide key for surface painting.
- Designed to compliment the ShadowMax Jamb.

Section	Mill Finish (Chromated) Available Length (m)
SM135	4.8





METINNO®

Cavity Sliding Door Systems

The Metinno Cavity Sliding Door Systems offer a range of quality and innovative products suitable for either residential or commercial applications.

Quality and design are first priority with a guaranteed high level of finish to ensure each and every cavity sliding door unit continues to work smoothly and effortlessly. Doors are supplied separate to the unit but are available for a fully compatible system.

Features and Benefits:

- Space saving design.
- Quick install.
- Short lead times.
- Custom made to suit your needs.
- No pelmets.
- Focus on elegant clean sharp lines.
- Option of timber, aluminium or frameless glass doors.
- Unique concealed carriage system.
- Guaranteed quality.
- High load bearing.
- Door cannot derail from track in cavity.



METINNO®

Cavity Sliding Door Systems

Premium cavity systems guaranteed to style
& work effortlessly within any space





METINNO® Archiline

Cavity Sliding Door System

Create continuity by using the same architraves throughout the project

Metinno Archiline provides complete unit ready for installer to add the architraves that are being used throughout the project. With high load-bearing mechanisms ideal for large doors, soft close options and rebated closer options, improving privacy, acoustics and climate control has never been easier.

Features & Benefits:

- Robust, ball bearing carriage system.
- High load bearing mechanism ideal for large doors.
- Concealed pocket made with timber slats (easy to fix plasterboard to) with high tensile alloy frames making opening rigid. This feature reduces risk of large doors scraping in opening.
- Soft close option available.
- Rebated closer option improving privacy, acoustics and climate control.
- Frameless glass option – clamps only supplied.
- Full ceiling height option available.

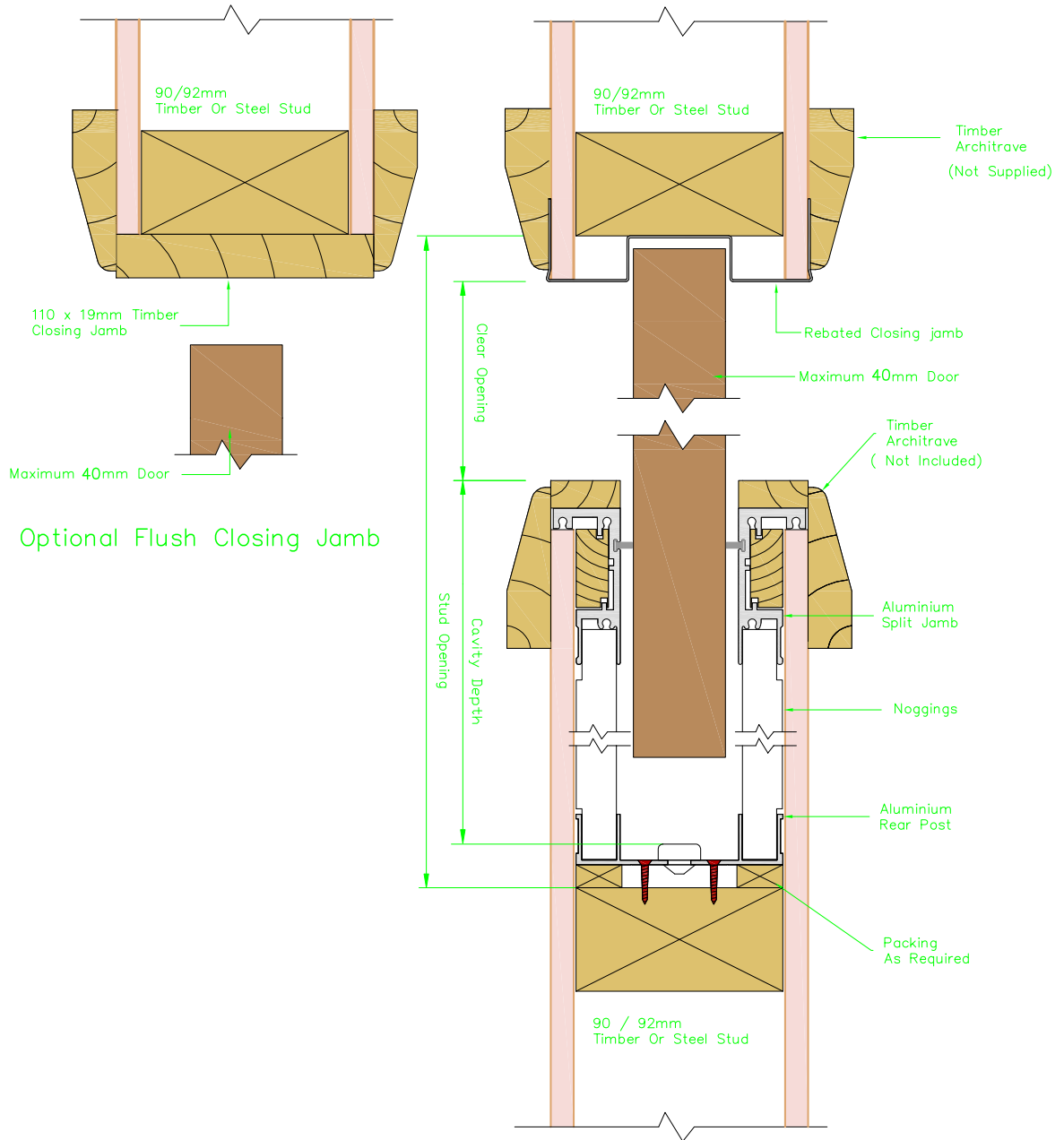
Visible Opening Frame	Cavity Box Construction	Suits Doors up to 40mm (W)	Suits Stud Wall	Max. Door Width	Max. Door Height	Max. Door Weight
Timber Architrave (as supplied by customer) <i>Architrave frame not supplied with unit.</i>	Aluminium frame with timber slats to attach plasterboard	<ul style="list-style-type: none"> • Timber • Frameless Glass <i>Glazing completed on-site by customer</i>	92mm Stud Wall Thickness	2200mm	3000mm	Up to: 65kg (M65) 125kg (M125) 150kg (M150)



METINNO® Archiline

CAVITY SLIDING DOOR SYSTEM

Detail 1 | Metinno Archiline Cavity Sliding Door

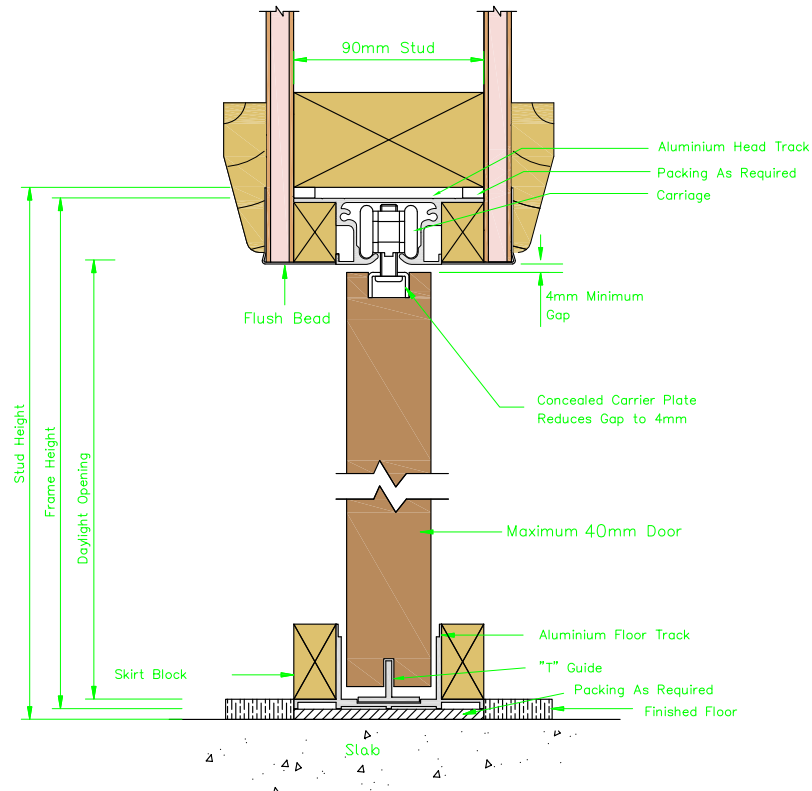


Colour Legends

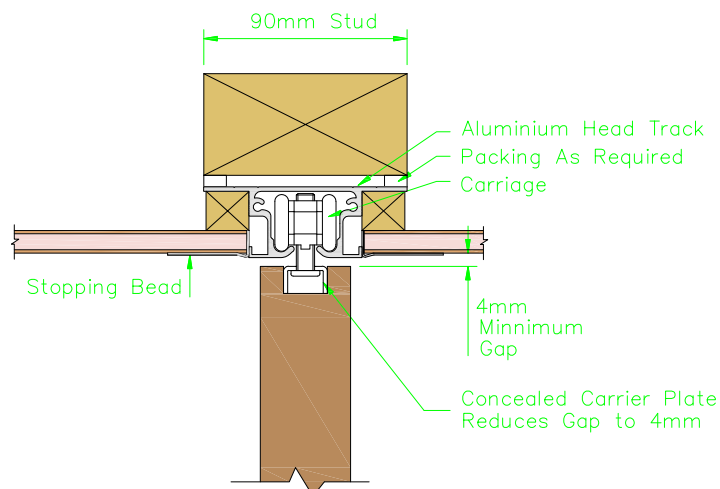
- Aluminium Partition (face and section)
- Steel Stud
- Plasterboard Profile

CAVITY SLIDER CONSTRUCTION DETAILS

Detail 2 | Metinno Archiline Wall Above Detail



Detail 3 | Metinno Archiline Full Height Detail





METINNO® Flushline

Cavity Sliding Door System

Achieve clean sharp lines for the ultimate contemporary fit-out

Metinno Flushline provides a unit with all necessary flushing trims to completely eliminate the need for architraves. The seamless finish of flushed walls allows for a smooth transition between rooms when the sliding door is open while achieving privacy, acoustics and climate control when closed.

Features & Benefits:

- Elegant clean sharp lines which guarantee the ultimate choice for contemporary fit-out.
- Robust ball bearing carriage system.
- High load bearing mechanism ideal for large doors.
- Rebated closer option improving privacy, acoustics and climate control.
- Frameless glass option – clamps only supplied.
- Soft close option available.
- Concealed pocket made with timber slats (easy to fix plasterboard to) with high tensile alloy frames making opening rigid. This feature reduces risk of large doors scraping in opening.
- Full ceiling height option available.
- Simplifies painting as no timber work requires special finishes.

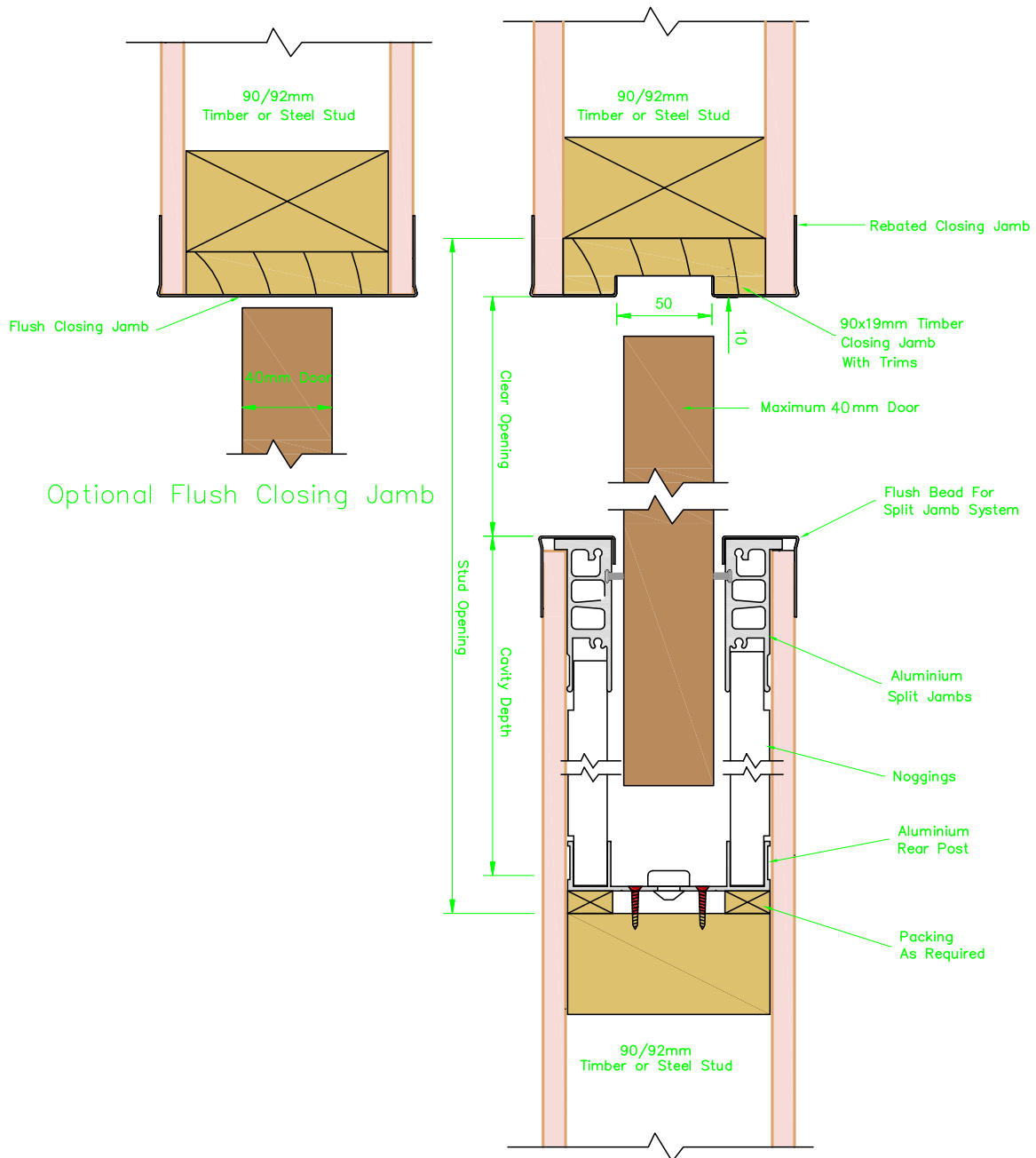
Visible Opening Frame	Cavity Box Construction	Suits Doors up to 40mm (W)	Suits Stud Wall	Max. Door Width	Max. Door Height	Max. Door Weight
Flush - no visible frame <i>Includes trims & angles ready for installer to flush into wall & frame.</i>	Aluminium frame with timber slats to attach plasterboard	<ul style="list-style-type: none"> • Timber • Frameless Glass • Corner Meeting <i>Glazing completed on-site by customer.</i>	92mm Stud Wall Thickness	2200mm	3000mm	Up to: 65kg (M65) 125kg (M125) 150kg (M150)



METINNO® Flushline

CAVITY SLIDING DOOR SYSTEM

Detail 4 | Metinno Flushline Cavity Sliding Door

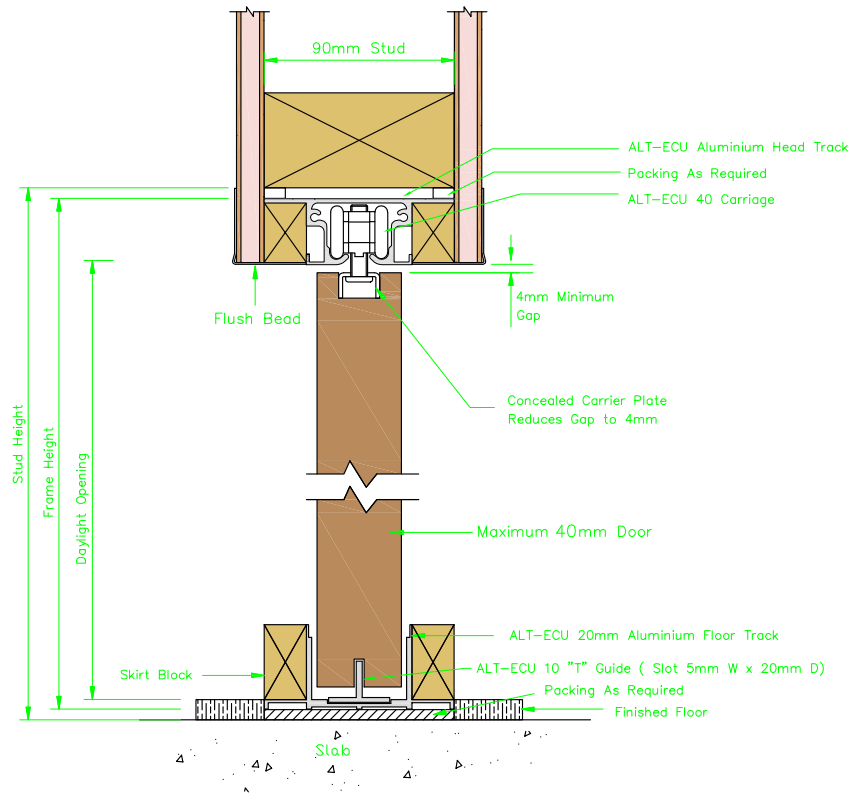


Colour Legends

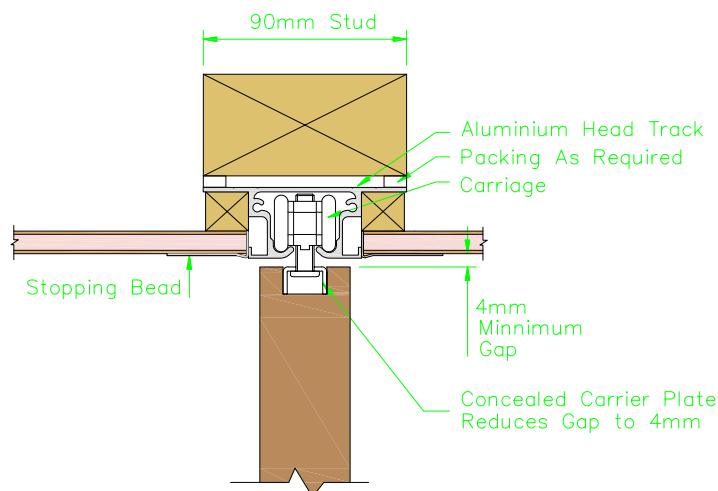
- Aluminium Partition (face and section)
- Steel Stud
- Plasterboard Profile

CAVITY SLIDER CONSTRUCTION DETAILS

Detail 5 | Metinno Flushline Wall Above Detail



Detail 6 | Metinno Flushline Full Height Detail



Glass
 Door
 Glazing Wedge Elevation View
 Glazing Wedge Profile
 Silicone Joint
 Timber Stud



METINNO® Shadowline Cavity Sliding Door System

Frame doorways with perfect, parallel shadowlines

Metinno Shadowline provides a unit with a 32mm timber surround to doorway opening and a 10mm shadowline finish to plasterboard. This system creates a sleek, contemporary detail around doorways and seamlessly integrates with ShadowMax Skirting for consistency between spaces.

Features & Benefits:

- Elegant clean sharp lines which guarantee the ultimate choice for contemporary fit-out.
- Robust ball bearing carriage system.
- High load bearing mechanism ideal for large doors.
- Provides ability to separate the frame and the wall when painting.
- Rebated closer option improving privacy, acoustics and climate control.
- Concealed pocket made with timber slats (easy to fix plasterboard to) with high tensile alloy frames making opening rigid. This feature reduces risk of large doors scraping in opening.
- Soft close option available.
- Frameless glass option – clamps only supplied.
- Same profile as ShadowMax Jamb. Compliments Metinno ShadowMax Ceiling and Skirting finishes.

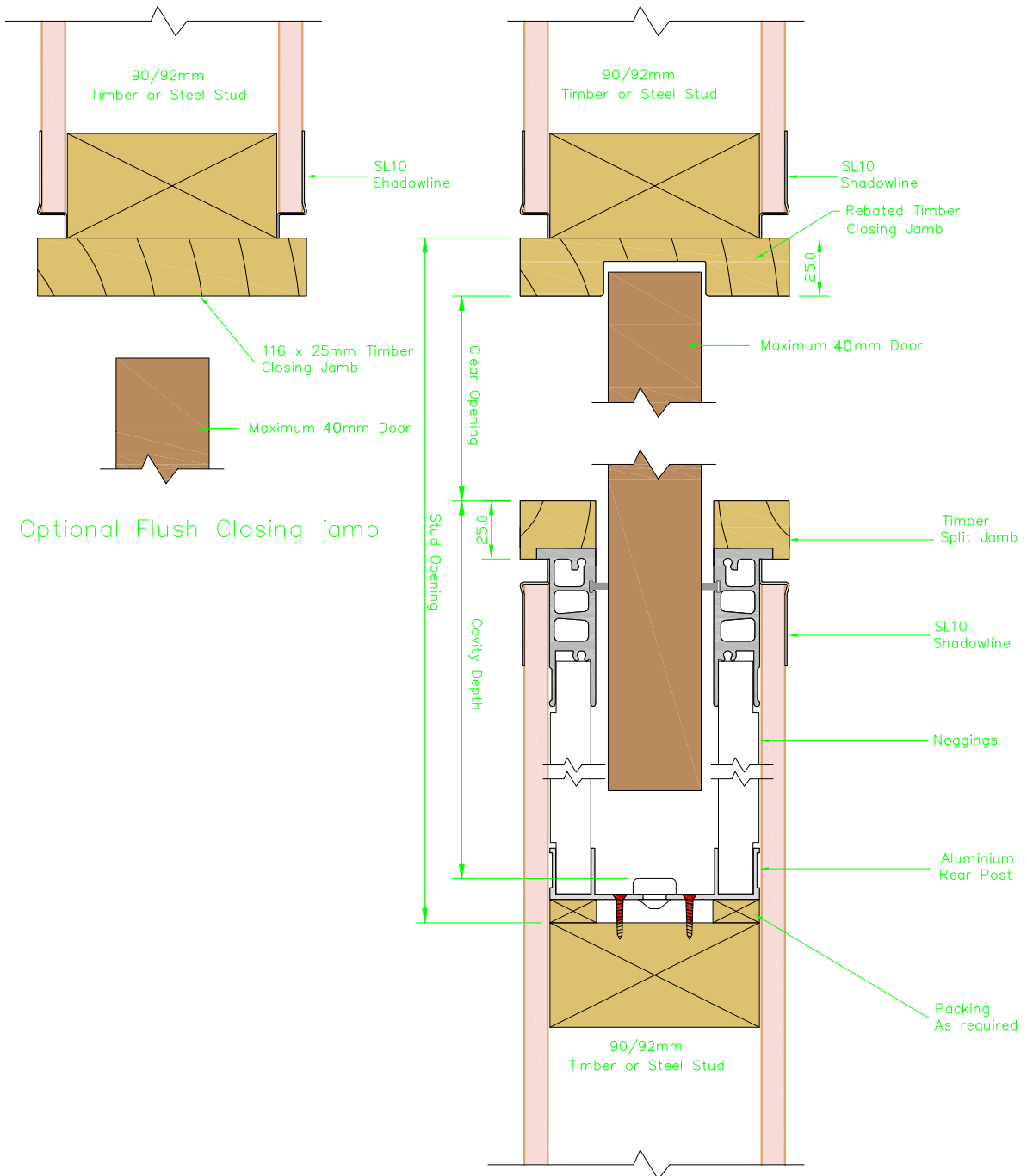
Visible Opening Frame	Cavity Box Construction	Suits Doors up to 40mm (W)	Suits Stud Wall	Max. Door Width	Max. Door Height	Max. Door Weight
30mm timber with 10mm shadowline to plasterboard. <i>Shadowline trims not included.</i>	Aluminium frame with timber slats to attach plasterboard	<ul style="list-style-type: none"> · Timber · Frameless Glass Glazing completed on-site by customer.	92mm Stud Wall Thickness	2200mm	3000mm	Up to: 65kg (M65) 125kg (M125) 150kg (M150)



METINNO® Shadowline

CAVITY SLIDING DOOR SYSTEM

Detail 7 | Metinno Shadowline Cavity Sliding Door

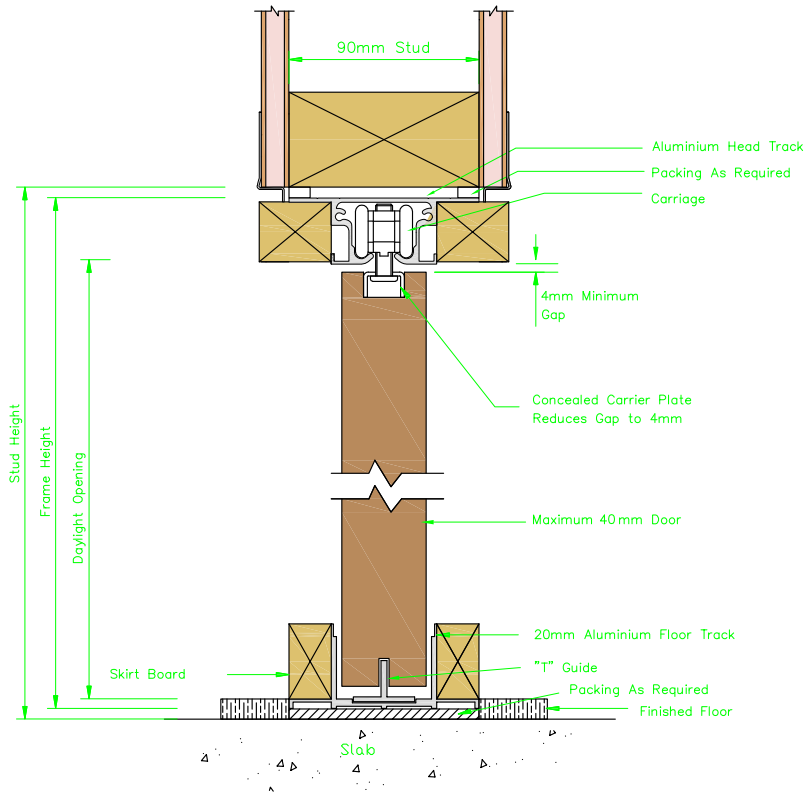


Colour Legends

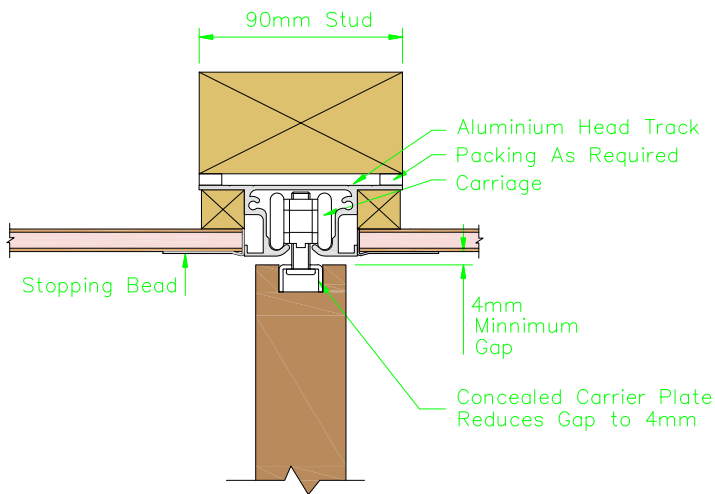
- Aluminium Partition (face and section)
- Steel Stud
- Plasterboard Profile

CAVITY SLIDER CONSTRUCTION DETAILS

Detail 8 | Metinno Shadowline Wall Above Detail



Detail 9 | Metinno Shadowline Full Height Detail





METINNO® Aluminium Cavity Sliding Door System

A stylish and sturdy space saving solution for office fit-outs

Metinno Aluminium provides a unit with an aluminium surround trim to the doorway opening. If you are using Metinno aluminium partitioning door frames, this unit provides the same 32mm profile therefore maintaining consistency of finish and look throughout the entire project. Aluminium framed sliding doors are available in any anodised or powder coat finish, as well as a large range of timber doors.

Features & Benefits:

- Elegant clean sharp lines which guarantee the ultimate choice for contemporary fit-out.
- Concealed pocket made with timber slats (easy to fix plasterboard to) with high tensile alloy frames making opening rigid. This feature reduces risk of large doors scraping in opening.
- Option available for heavy or large doors using a stronger system.
- Robust ball bearing carriage system.
- Rebated closer improves privacy, acoustics & climate control.
- Metinno 5000 Series glass sliding doors available to suit 92mm steel stud only.
- If aluminium head track exists in room then a full height unit can be integrated to clip into this.
- Also pre-glazed 37mm aluminium framed doors in clear, opaque and translucent glass.

Visible Opening Frame	Cavity Box Construction	Suits Doors up to 45mm (W)	Suits Stud Wall	Max. Door Width	Max. Door Height	Max. Door Weight
Aluminium Frame <i>32mm Profile that integrates with Metinno Aluminium Partitioning Systems</i>	Aluminium frame with timber slats to attach plasterboard	<ul style="list-style-type: none"> • Glass Door with Aluminium Frame • Timber Door • Wall above Glass Door with Aluminium Frame <p><i>Glazing completed on-site by customer.</i></p>	64 & 92mm Stud Wall Thickness <i>64mm suits timber doors only.</i>	1500mm	2700mm	150kg

ALUMINIUM CAVITY SLIDING DOOR



Option 1 Full height into existing aluminium head track



Option 2 Full height

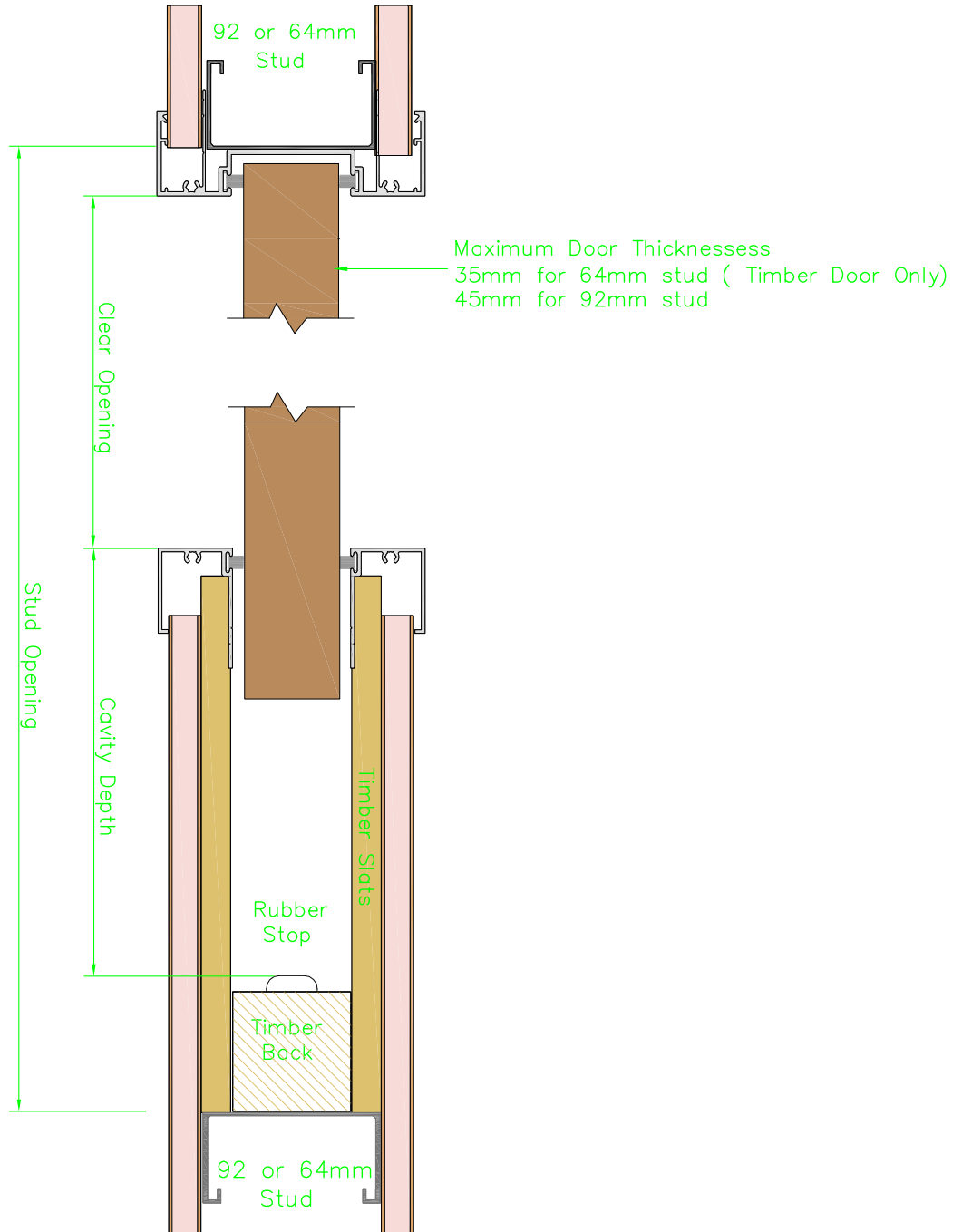


Option 3 Plasterboard above unit

METINNO® Aluminium

CAVITY SLIDING DOOR SYSTEM

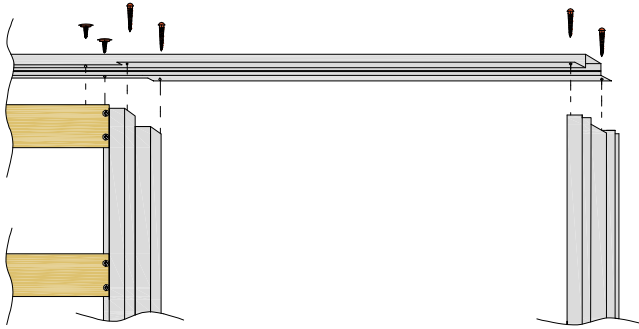
Detail 10 | Metinno Aluminium Cavity Sliding Door



Colour Legends

- Aluminium Partition (face and section)
- Steel Stud
- Plasterboard Profile

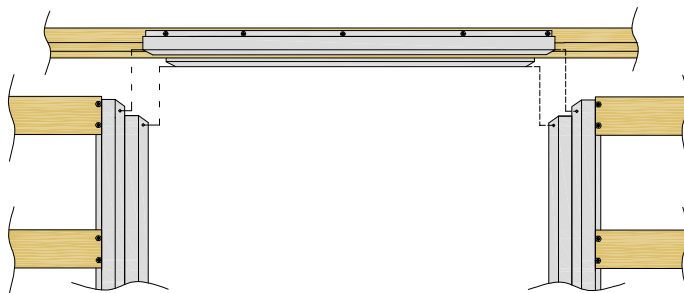
Detail 11 | Metinno Aluminium Full Height Cavity Slider



Detail 12 | Metinno Aluminium Cavity Slider with Plasterboard Above



Detail 13 | Metinno Aluminium Double Cavity Slider

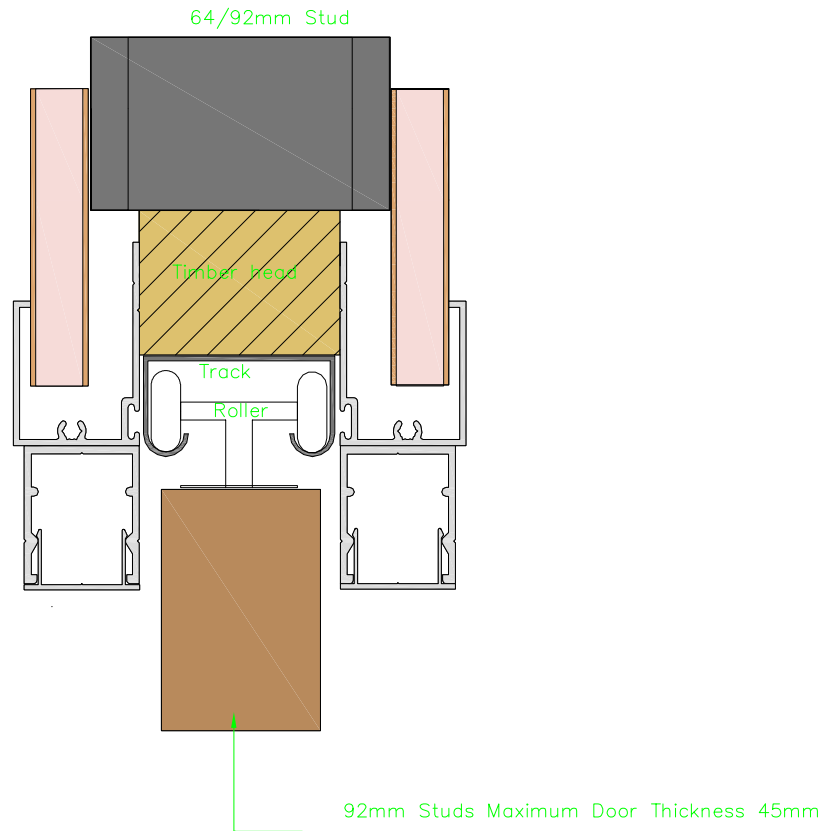


Glass
 Door
 Glazing Wedge Elevation View
 Glazing Wedge Profile
 Silicone Joint
 Timber Stud

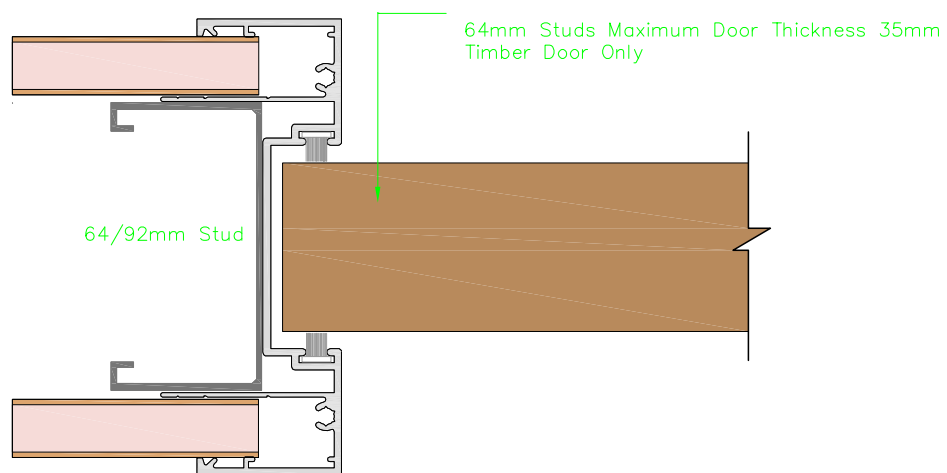
METINNO® Aluminium

CAVITY SLIDING DOOR SYSTEM

Detail 14 | Metinno Aluminium Head Track and Roller



Detail 15 | Metinno Aluminium Recessed Closing Stile

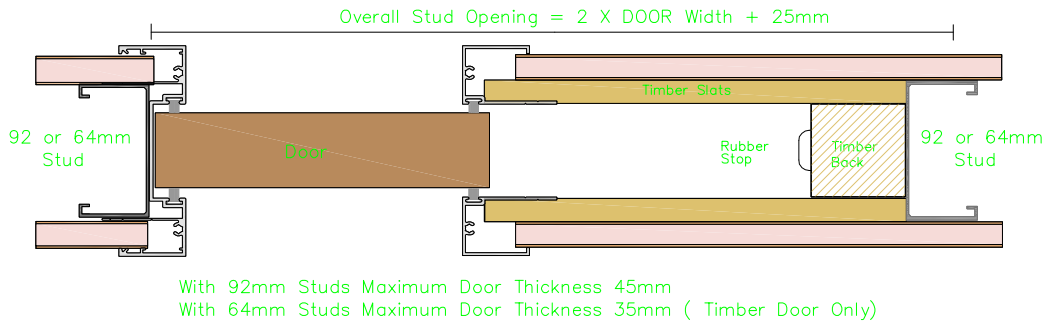


Colour Legends

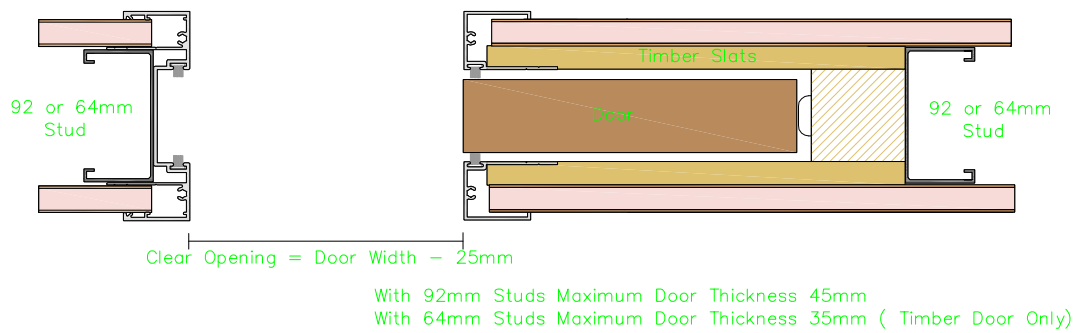
- Aluminium Partition (face and section)
- Steel Stud
- Plasterboard Profile

CAVITY SLIDER CONSTRUCTION DETAILS

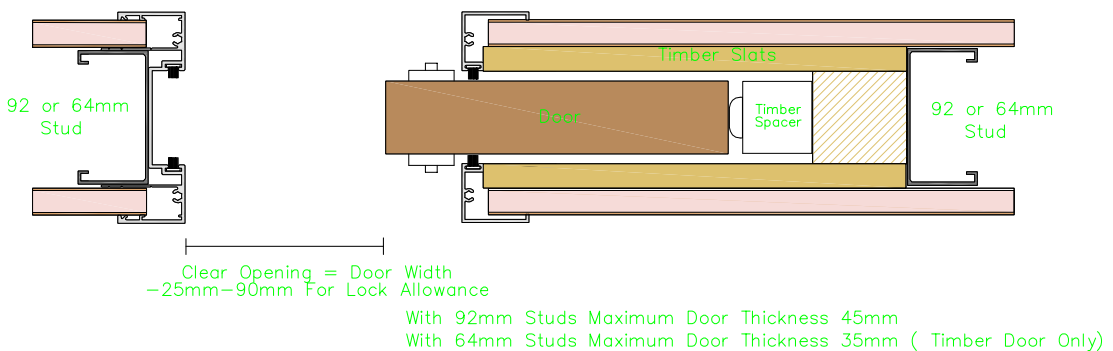
Detail 16 | Metinno Aluminium Overall Standard Opening Between Studs



Detail 17 | Metinno Aluminium Clear Opening



Detail 18 | Metinno Aluminium Clear Opening with Lock Allowance

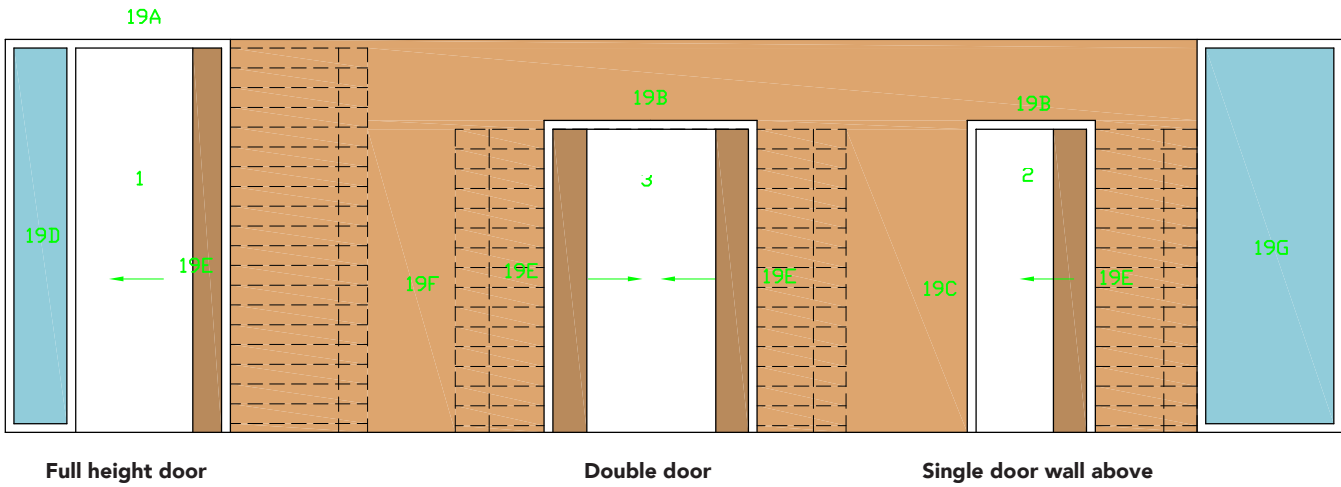


Plan View with Aluminium opening frame. Available for 64mm and 92mm steel studs.
Please note only 35 mm doors fit in the 64mm stud profile.

METINNO® Aluminium

CAVITY SLIDING DOOR SYSTEM

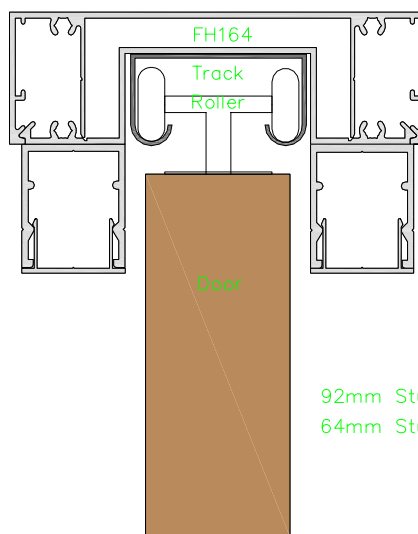
Detail 19 | Metinno Aluminium Assembly Detail for 64mm or 92mm Studs



See following pages for drawings 19A to 19G

Note: The Metinno system is only available in a completed unit. The individual drawings are for your information only.

Detail 19A | Metinno Aluminium Head Track and Pelmet for Full Height Option



92mm Studs Maximum Door Thickness 45mm

64mm Studs Maximum Door Thickness 35mm (Timber Doors Only)

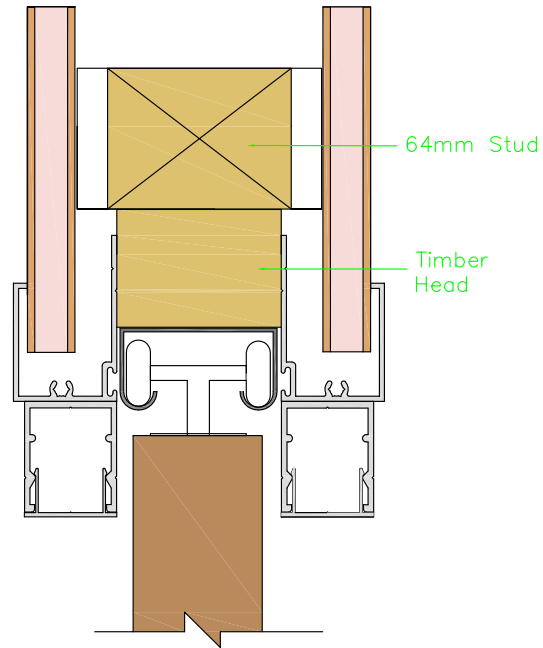
Colour Legends

Aluminium Partition (face and section)

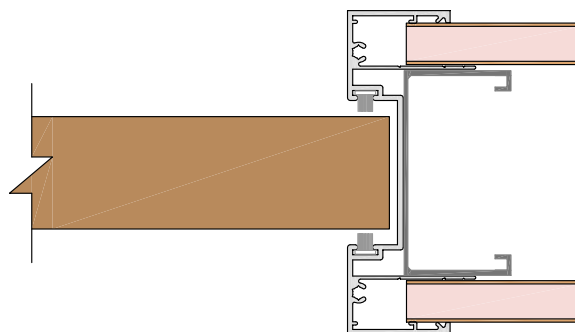
Steel Stud

Plasterboard Profile

Detail 19B | Metinno Aluminium Head Track and Pelmet with Partition Above



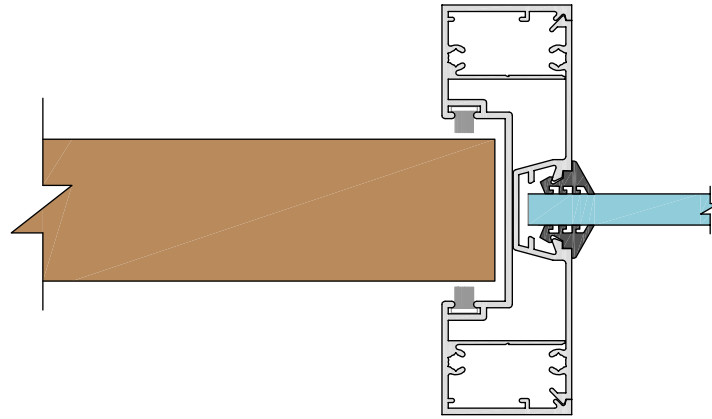
Detail 19C | Metinno Aluminium Receiver to Partition



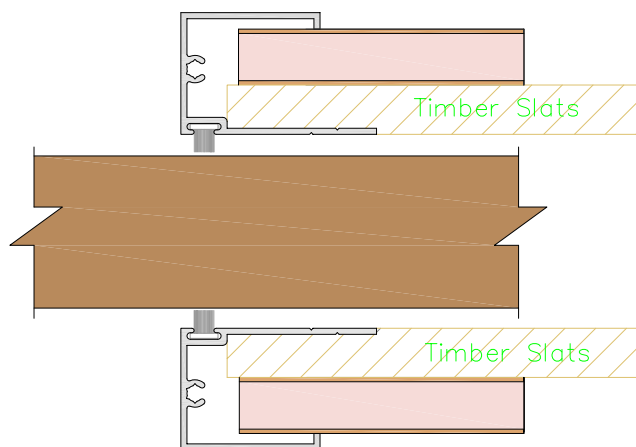
METINNO® Aluminium

CAVITY SLIDING DOOR SYSTEM

Detail 19D | Metinno Aluminium Receiver to Glass Junction



Detail 19E | Metinno Aluminium Cavity Jamb Detail



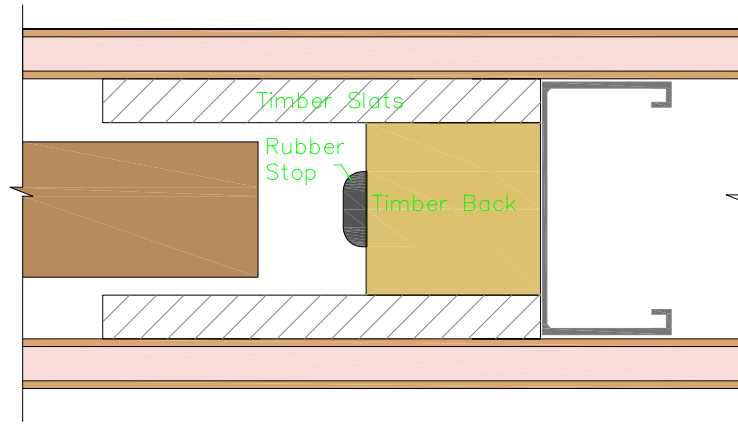
Colour Legends

□ Aluminium Partition (face and section)

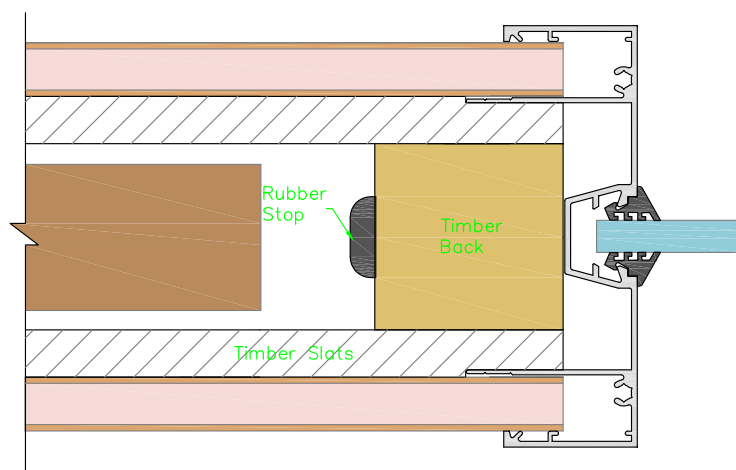
■ Steel Stud

▨ Plasterboard Profile

Detail 19F | Metinno Aluminium Rear of Cavity Detail



Detail 19G | Metinno Aluminium Rear of Cavity to Glass Junction



- Glass
- Door
- Glazing Wedge Elevation View
- Glazing Wedge Profile
- Silicone Joint
- Timber Stud

METINNO® Archiline, Flushline & Shadowline

CAVITY SLIDER INSTALLATION INSTRUCTIONS

Detail 20 | Metinno AR, FL & SL Cavity Slider Installation Instructions

Assembly / Installation Instructions

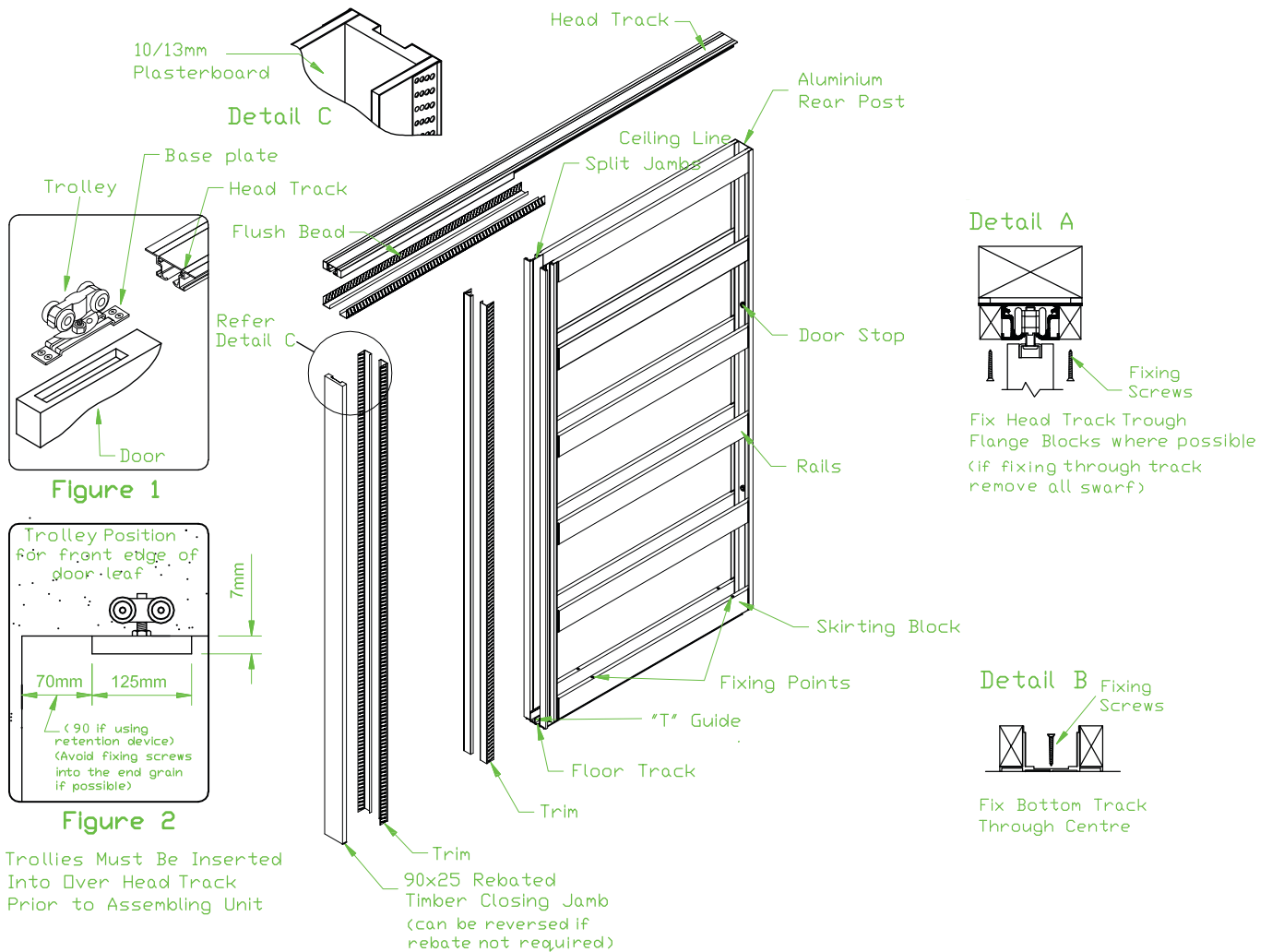
1. Attach overhead track to cavity frame and slide trolley into track (see detail A). If using soft close, it is simpler to ensure it is in the track now, although it can be inserted or removed through the cutout in the track if needed.
2. Check for level and cut closing jamb to size, if required. Fix closing jamb (optional) to overhead track. Fit into place, ensuring it is plumb and square.
3. Pack unit, if necessary, to finished floor level and secure to stud work.
- 4a. Fit carriage base plates (x2) to door 70-90mm from each end (Refer to Figure 1 & 2). Must be rebated 7mm into door.
 - b. Base plates can be fitted further in if not using soft close or retention/stop device.
 - c. For aluminium doors secure base plates (x2) where stiles finish.
5. Install door into position and check operation before cladding.
6. Clad wall, ensuring fixings penetrate into but not through rails.
7. Fit trims to 90x25 rebated timber closing jamb (see detail C). Fix MCXTRIM1024 trims over split jamb and overhead track. Screw into position with bugle head screws ensuring below flushing level.
8. Fix bottom track through centre of track (see notes below).

Note:

Use countersunk head screws that do not protrude more than 4mm above the aluminium floor track to ensure no obstruction to door (see detail B).

If you have to drill, nail or screw through the centre of the head track, this will cause the track to be contaminated by aluminium flings and swarf. This will effect the smooth running of carriages and must be removed.

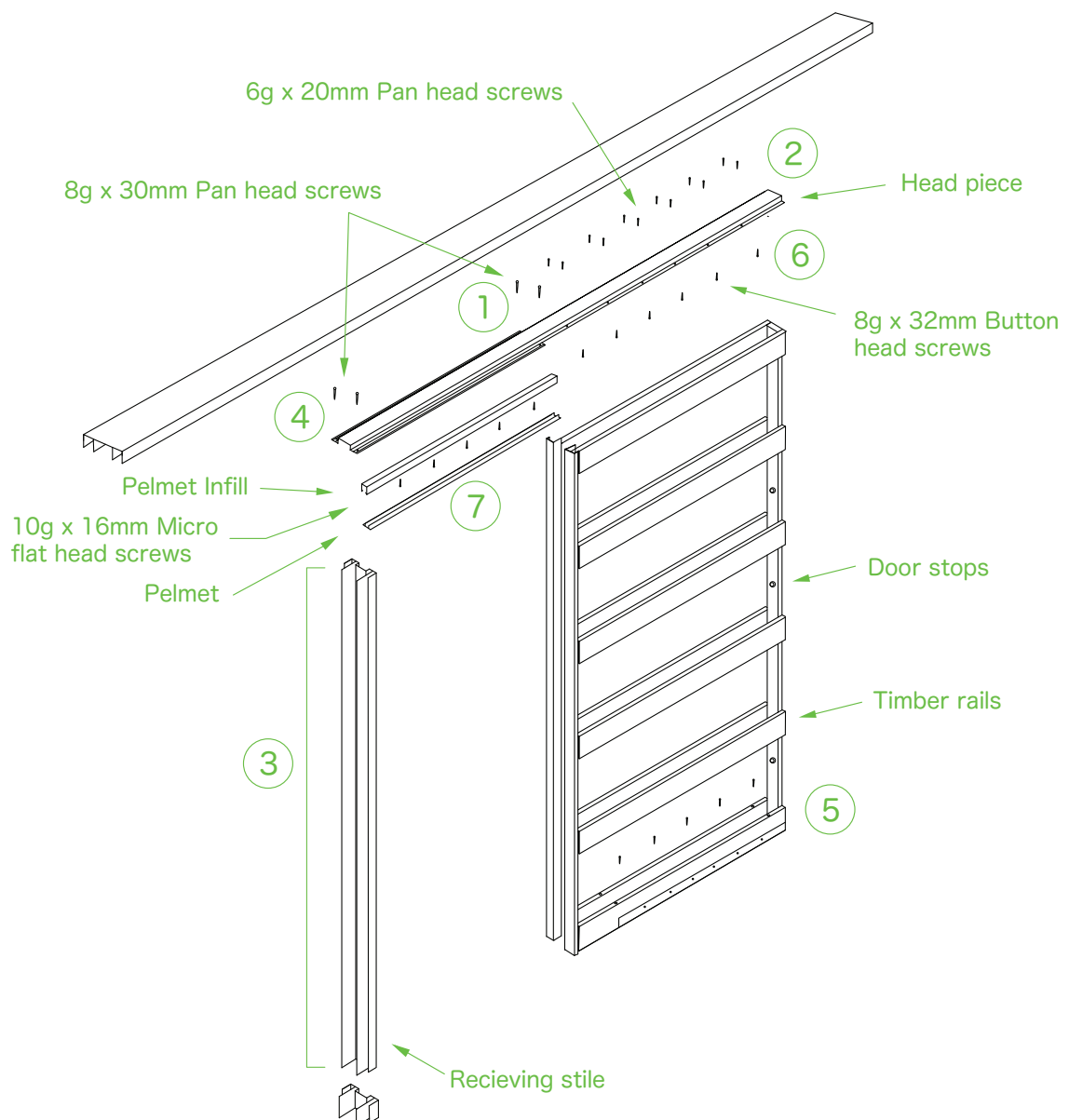
If possible, fix the top track to the stud above from the outside flanges (see detail A).



Detail 21 | Metinno Aluminium Cavity Slider Installation Instructions

Assembly / Installation Instructions

1. Fix head piece to the cavity pocket by screwing the aluminium sections together using the 8g x 30mm pan head screws.
2. Fix the head through the timber rails using the 6g x 20mm pan head screws.
3. Measure the length required for the receiving stile. (The receiving stile is supplied 20mm over length to allow for un-even floor.) Trim the receiving stile to size.
4. Screw the receiving stile into place with the 8g x 30mm pan head screws.
5. The unit can now be stood in place, snapped into the existing head track and fixed to the floor through the metal base.
6. Remove the temporary fabrication screws holding the track and replace them with the 8g x 32mm button head screws, ensuring to fasten to a solid substrate. This will fasten the track, full-height section and head track together.
7. Install the door, then screw the pelmet infill section to the aluminium head section with the 10g x 16mm micro flat head screws, and finally snap the pelmet into place.





MAKING SPACE USEFUL

METINNO®

Access Panels

The Metinno range of set bead and flanged access panels have been designed and rigorously tested to meet the requirements of the Building Code standards for both domestic and commercial applications within Australia and New Zealand. Suitable for internal installation in both stud and masonry walls, suspended ceilings and service shafts, Metinno Access Panels are constructed with quality components within its premium sound reduction design.

Features and Benefits:

- Premium sound reducing design.
- 16mm high density moisture resistant door.
- Fully welded aluminium construction.
- Ideal for walls, ceilings and service shafts.
- Square drive lock for security.
- Adjustable cabinet hinge.
- Thread inserts for independent suspension.
- Quick release safety chain.



METINNO® Access Panels

Premium Flanged & Set Bead

Subtly frame or completely conceal a sturdy, secure access point

Achieving a high acoustic rating of RW32, the Metinno Access Panels have a rigid welded-aluminium construction and are finished with a 16mm galvanised steel-lined door which is high density moisture resistant, making them a perfect solution for any high-humidity space.

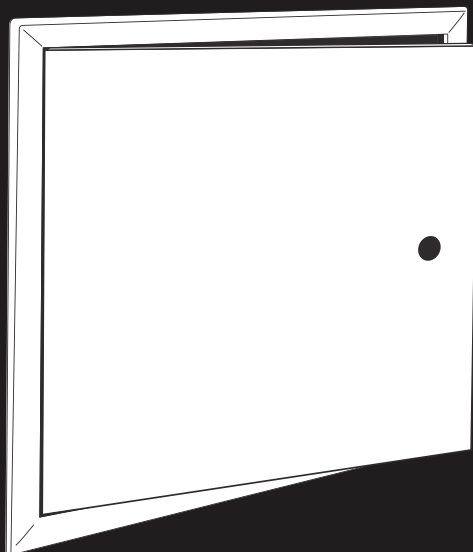
High quality components have been utilised right down to smaller design features like side fixing clips, rubber seals contributing to the acoustic requirements and square drive key lock and safety chain for increased security requirements.

Metinno Access Panels are available in a flanged or set bead finish across a variety of standard sizes and have integrated threaded screw holes enabling independent installation points perfect for suspended ceilings.

For the best finish and results on your project, specify Metinno Access Panels.

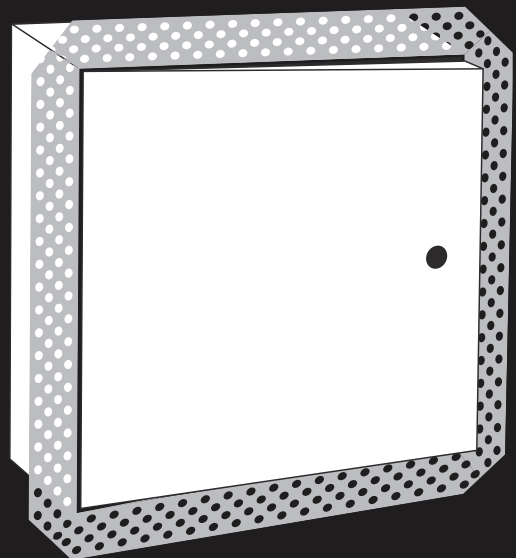
Flanged Access Panel

Features a thin, visible frame that is fast to install. Avoid extra install steps and achieve a tidy finish.



Set Bead Access Panel

Flush with the ceiling or wall, achieve visible perfection with a seamless finish throughout your project.



METINNO® Access Panels

FLANGED & SET BEAD



Premium Flanged Access Panel

- Framed access point for walls, ceilings and service shafts.
- Lock for security.
- Sound reducing design.
- Range of sizes available.



Code	Available Size (mm)
PAP300F	300 x 300
PAP450F	450 x 450
PAP530F	530 x 530

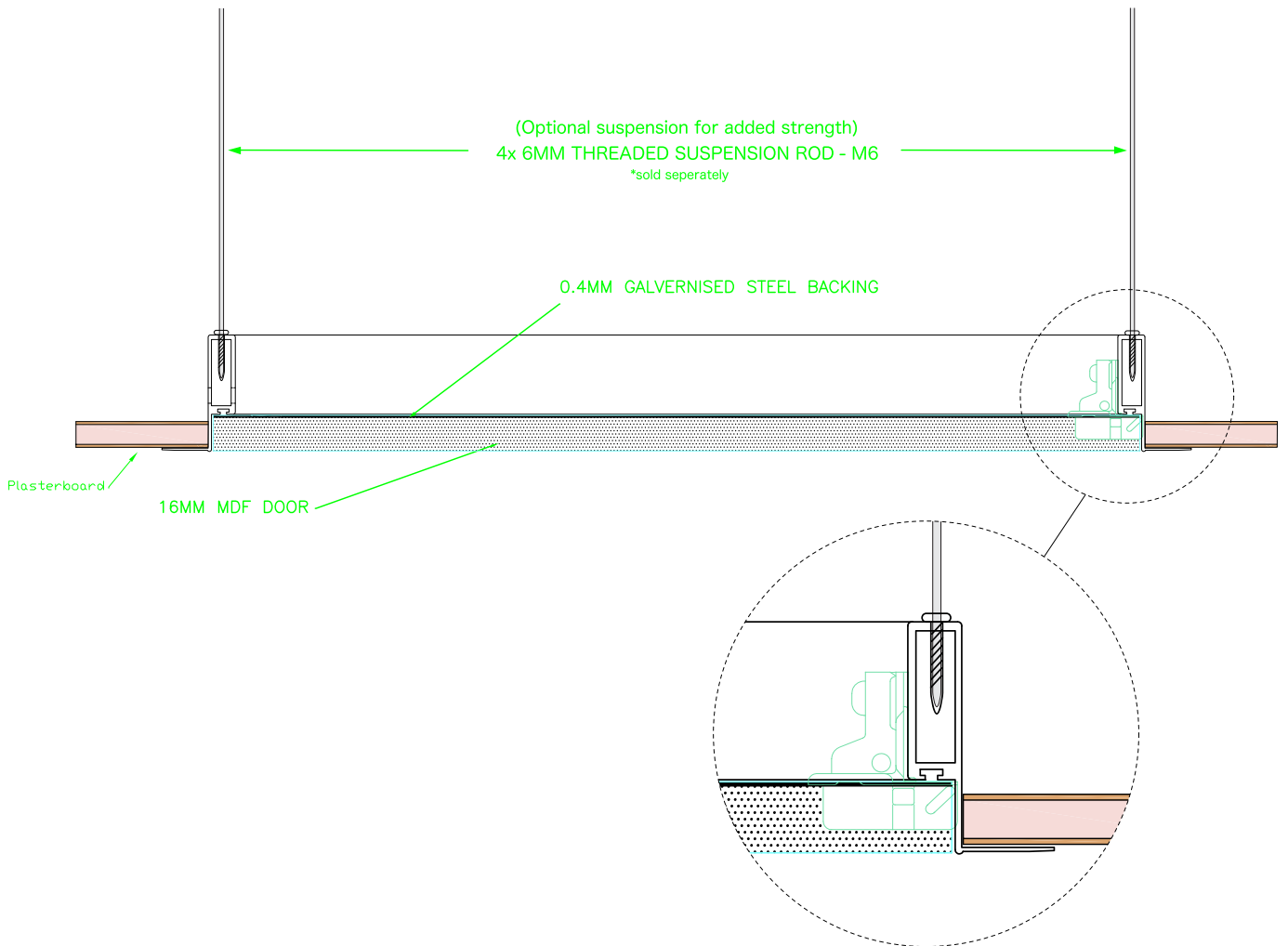
Premium Set Bead Access Panel

- Installed to be plastered flush with the ceiling or wall for a seamless finish.
- Lock for security.
- Sound reducing design.
- Range of sizes available.



Code	Available Size (mm)
PAP300SB	300 x 300
PAP450SB	450 x 450
PAP530SB	530 x 530

Construction & Installation | Metinno Flanged & Set Bead Access Panels



Distributor Information



“We strive for ‘Better than Best’ customer service in supplying building materials, to make your life easier. That’s ADXellent customer service.”

ADX Depot is a one-stop-shop providing innovative product and supply solutions to trade and DIY customers for ceilings, walls and partitions. We work closely with architects, designers and builders, being the go-to for assistance with product knowledge and selection, providing support throughout all design and construction stages. We strive to get solutions to you faster and easier than anyone else. Our focus is getting you what you want, where you want, when you want. We have developed delivery services to make sure you have the level of support you need. We strive to deliver the best customer service; taking the benchmark of excellence to an even higher level.

We call this ADXellent Customer Service.

P: 08 8292 5000

E: solutions@adxdepot.com.au

W: www.adxdepot.com.au

Locations:

EDWARDSTOWN DEPOT

844 South Road, Edwardstown
South Australia, 5039

GEPPS CROSS DEPOT

70 Port Wakefield Road, Gepps Cross
South Australia, 5094

ADELAIDE DEPOT

130 West Terrace, Adelaide
South Australia, 5000

METINNO®

MAKING SPACE USEFUL



MAKING SPACE USEFUL



RRP \$59.95 (inc GST)



PRINT-MPP

P: 08 8292 5000 **E:** solutions@adxdepot.com.au **W:** www.adxdepot.com.au