

Versilux[®] lining



JHA-2014
GEC4 08-2011 v2
Panel Boards

What is it?

A flat sheet with square edges for butt joints. Sanded smooth and pre-sealed, Versilux lining is a flat surface that is site-painted to create a panellised look.

Where do you use it?

As an internal wall and ceiling lining in laundries, kitchens and high-traffic areas in residential, medium-density and commercial buildings, where a durable, flat panel look is required. It can also be used in exposed beam ceilings and soffits, and is suitable on either timber or light gauge steel framed buildings.

What are the key benefits?

AFFORDABILITY. Versilux lining is sanded and pre-sealed, making it easy to paint, and reducing the finishing time and cost.*

DESIGN FLEXIBILITY. It's easy to achieve a range of looks with Versilux lining using straight PVC jointers, battens or Scyon[™] Axent[™] trim, as bold or subtle highlights over their smooth, flat surface.

DURABILITY. The high impact resistance of Versilux lining, compared to plasterboard lining, makes it the smart choice for high-traffic areas that are prone to wear and tear.

FAST INSTALLATION. Versilux lining is lightweight and its square edges, together with the wide range of James Hardie[™] accessories, make it easy and fast to install by tradespeople, owner-builders and renovators.

VERSATILITY. It's suitable for use in fire-rated and acoustically rated systems.† To add to this, the 6mm thick sheet can also be used as internal bracing.**

SECURITY. Versilux lining is resistant to damage from termites, rot and fire.‡



What are the sizes?

Product code	Length (mm)	Width (mm)	Thickness (mm)	Mass (kg/m ²)
400454	2,400	900	4.5 ^Δ	7.26
400452	2,400	1,200	4.5 ^Δ	7.26
400424	2,400	1,200	6	9.62
400423	2,700	1,200	6	9.62
401878	2,700	1,200	9 [‡]	13.88
400425	3,000	900	6	9.62
400450	3,000	1,200	4.5 ^Δ	7.26
400422	3,000	1,200	6	9.62
400449	3,600	1,200	4.5 ^Δ	7.26
400421	3,600	1,200	6	9.62

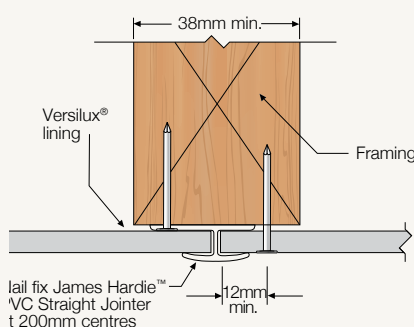
Selling units per pack:

4.5mm – 30 or 60 sheets, 6mm – 15 or 30 sheets, 9mm – 15 or 30 sheets

What are the accessories?

Accessory	Code	Page
HardieBlade [™] Saw Blade 185mm	300660	51
HardieBlade [™] Saw Blade 254mm	303375	51
HardieDrive [™] Screws 32mm long	305532	51
HardieDrive [™] Screws 40mm long	305533	51
James Hardie [™] Fibreshears	300653	53
James Hardie [™] PVC Cap Mould 3,000mm x 4.5mm	305542	54
James Hardie [™] PVC Cap Mould 3,000mm x 6.0mm	305543	54
James Hardie [™] PVC Eave and Soffit Jointer for use with 4.5mm thick sheets [◊]	305506	54
James Hardie [™] PVC Eave and Soffit Jointer for use with 6mm thick sheets [◊]	305432	54
James Hardie [™] PVC External Corner Angle for 6mm thick sheets	305544	54
James Hardie [™] PVC Internal Corner Angle for 6mm thick sheets	305545	55
James Hardie [™] PVC Straight Jointer 2,400mm x 4.5mm	305538	55
James Hardie [™] PVC Straight Jointer 3,000mm x 4.5mm	305541	55
James Hardie [™] PVC Straight Jointer 3,000mm x 6.0mm	305546	55
James Hardie [™] Score and Snap Knife	305576	55

PVC straight jointer detail



Note All dimensions and masses provided are approximate only and subject to manufacturing tolerances. Masses are based on equilibrium moisture content of product.

* Always refer to the paint manufacturer's guidelines. ** When installed in accordance with James Hardie's *Structural Bracing Application Guide*.

† When installed and maintained correctly and to the extent set out in James Hardie's published literature current at the time of installation.

Refer to the current Fire and Acoustically rated walls Manuals for further information. Δ Not available in WA and TAS. ‡ QLD only. ◊ Not suitable for external wall cladding applications.